

TECHNICAL CATALOGUE



MOTOVARIATORS

STANDARD **IEC**

1. GENERAL INFORMATION

1.1	COMPANY PROFILE	6
1.2	PRODUCTS AND SOFTWARE MOTOVARIO	8
1.3	SYMBOLS AND FORMULAS	12
1.3.1	Symbols	12
1.3.2	Formulas	13
1.4	PRODUCT SELECTION	14
1.5	SERVICE FACTOR	15
1.6	INSTALLATION	16

2. PRODUCT INFORMATION

2.1	DESIGN FEATURES	17
2.1.1	Design features	17
2.1.2	Running	18
2.1.3	Differential	19
2.2	CRITICAL APPLICATIONS	20
2.2.1	Critical applications	20
2.2.2	Information	20
2.3	OVERHUNG LOAD	21
2.3.1	Information	21
2.3.2	Input	21
2.3.3	Output	22
2.4	LUBRICATION	23
2.4.1	Information	23
2.4.2	Lubricants	23
2.4.3	Quantity	24

3. TXF/S

3.1	TXF/S	26
-----	-------------	----

4. PRODUCT INFORMATION TXF/S

4.1	TYOLOGY	27
4.1.1	Designation	27

4.1.2	Versions	29
4.2	MOUNTING POSITIONS	31
4.2.1	Mounting positions	31
4.2.2	Position of terminal box	34

5. DIMENSIONS TXF/S

5.1	TXF	35
5.1.1	TXF	35
5.1.2	Weight	36
5.2	S	37
5.2.1	SF	37
5.2.2	ST	38
5.2.3	SP	39
5.2.4	S.D	39
5.2.5	S - PAM	40
5.2.6	S - PAM C	41
5.2.7	S - ECE	41
5.2.8	Weight	42
5.3	ELECTRIC MOTORS	43
5.3.1	Electric motors	43
5.3.2	Standard high efficiency (TS), high (TH) and premium (TP) motors	45
5.3.3	Nominal power - [kW]	46

6. ACCESSORIES AND OPTIONS TXF/S

6.1	ELECTRICAL SERVOCONTROL	47
6.2	OTHER ACCESSORIES AND OPTIONS	50

7. TXF/S - PERFORMANCES

7.1	TXF - PERFORMANCE	51
7.1.1	TXF	51
7.1.2	TXF - Performance curves	52
7.2	S - PERFORMANCE	55
7.2.1	S	55
7.2.2	S.D	56
7.2.3	S - Performance curves	57

7.2.4	S.D - Torque curve with differential device	60
-------	---	----

8. VHA/VH

8.1	VHA/VH	61
-----	--------------	----

9. PRODUCT INFORMATION VHA/VH

9.1	TYPOLGY	62
9.1.1	Designation	62
9.1.2	Versions	63
9.2	MOUNTING POSITIONS	65
9.2.1	Mounting positions	65
9.2.2	Position of terminal box	70
9.3	COMBINATIONS	71
9.3.1	VH.../A..	71
9.3.2	VH.../...	72

10. DIMENSIONS VHA/VH

10.1	VH.../A..	73
10.1.1	VH.../A.1	73
10.1.2	VHF.../A.1	74
10.1.3	VH.../A.2-3	75
10.1.4	VHF.../A.2-3 - VHU.../A.2-3	77
10.1.5	Weight	79
10.2	VH.../...	80
10.2.1	VHR.../.1	80
10.2.2	VHRM.../.1	81
10.2.3	VHRF.../.1 - VHRU.../.1	82
10.2.4	VH.../...2-3	84
10.2.5	VHF.../...2-3	85
10.2.6	VHU.../...2-3	87
10.2.7	Weight	89

11. ACCESSORIES AND OPTIONS VHA/VH

11.1	OUTPUT FLANGE	90
------	----------------------------	----

11.2	BACKSTOP DEVICE	91
11.3	REINFORCED OIL SEALS FOR OUTPUT SHAFT	93

12. VHA/VH - PERFORMANCES

12.1	VHA - PERFORMANCE	94
12.2	VH - PERFORMANCE	108

13. TXF/S+NMRV

13.1	TXF/S+NMRV	165
------	------------------	-----

14. PRODUCT INFORMATION TXF/S+NMRV

14.1	TYOLOGY	166
14.1.1	Designation	166
14.1.2	Versions	170
14.2	MOUNTING POSITIONS	171
14.2.1	Mounting positions	171
14.2.2	Position of terminal box	175
14.3	COMBINATIONS	176
14.3.1	TXF...+NMRV...	176
14.3.2	SF...+NMRV...	177

15. DIMENSIONS TXF/S+NMRV

15.1	TXF+NMRV	178
15.2	SF+NMRV	180

16. ACCESSORIES AND OPTIONS TXF/S+NMRV

16.1	LOW SPEED SHAFTS	182
16.2	OUTPUT FLANGE	183
16.3	SHAFT MOUNTING FASTENING	184
16.3.1	Torque arm: Mounting position	184
16.3.2	Torque arm: Dimensions	185

16.4	OUTPUT SHAFT COVER	186
------	--------------------------	-----

17. TXF/S+NMRV - PERFORMANCES

17.1	TXF+NMRV - PERFORMANCE	187
------	------------------------------	-----

17.2	SF+NMRV - PERFORMANCE	197
------	-----------------------------	-----

18. SALES CONDITIONS

18.1	SALES CONDITIONS	219
------	------------------------	-----

Motovario® corporate philosophy aims to promote the company's brand and products at an international level with determination and transparency, while constantly striving to offer innovative solutions for satisfying and anticipating the demand of the market. Motovario® provides technologically advanced solutions in the transmission components field for industrial and civil applications worldwide.

The company

At Formigine, the heart of Modena's industrial district, Motovario® boasts a production plant spanning 50,000 m² that employs 500 people.

1965 Foundation of Motovario

1998 Acquisition of Spaggiari Trasmissioni, an important brand in the mechanical technology sector.

2006 Motovario acquisition by a private investment fund managed by Synergo SGR, in order to guarantee its development and support its expansion throughout the world.

2014 Acquisition of Pujol.

2015 Acquisition by TECO.

At the core of Motovario® lies an evolved production process based on technological solutions that convert power into movement. Motovario® is at the heart of the production processes that drive industries worldwide. Quality and reliability are the company's fundamental assets. Motovario® is present throughout the world with branches in France, Spain, Germany, England, China, the United States and India. The sales network and customer service guarantee immediate and high-quality support to all customers. In addition, the company boasts a worldwide network of MAC (Motovario Assembly Centre). Qualified assembly centres are present, in Italy, Australia, Benelux, Bulgaria, China, Finland, France, India, Ireland, Israel, Malaysia, Poland, Portugal, South Korea, Spain, Sweden, Turkey, United Kingdom, Ukraine and USA. The company is able to offer a wide range of products: speed variators, right-angle, helical-bevel, shaft-mounted, worm gear reducers and gearmotors, electric motors, inverter and inverter drives. Maximum quality and precision are ensured by the cutting-edge technologies implemented in the production process. 170 numerical control machines, served by LGV lines for storage in automatic warehouses, ensure a high standard of efficiency for the Motovario® production department.

The highly automated assembly lines are supported by a specific computerised system. The process statistical control system manages the production process to avoid rejects, by enabling the operator to monitor all the processing phases. The annealing, tempering, hardening and carburizing treatments are carried out inside the plant. The plant operates on a 24-hour basis, including holidays. Reliability, resilience and versatility are the distinctive features of Motovario® products, the most qualified solution to any power transmission requirement.

Main fields OF APPLICATIONS

- Mechanical-electromechanical industry (car washing, pumps, barriers & automatic doors, circuit breakers)
- Ceramic industry (ovens, press feeding systems)
- Food, farming, oenology industry
- Wood, marble, glass industry
- Packaging & bottling industry
- Textile, shoes, leather industry
- Transport, logistic industry
- Construction industry
- Milling, animal husbandry, flower industry
- Machine tools & steel industry
- Mining, quarry, cement industry
- Energy industry (solar, nuclear, biomass, wind)
- Amusement industry (theatres, leisure parks, kiddy rides)
- Chemical & pharmaceuticals industry
- Paper & printing industry
- Plastic & rubber industry
- Telecommunications industry (satellite orientation systems, military radar)
- Engineering and consultant companies

Certifications

Our products can be manufactured to conform with the ATEX Directive 2014/34/UE. In addition, the safety and quality of our motors, geared motors and motovariators is guaranteed by the EAC (EurAsian Conformity) certification, an essential requirement for products exported to the Russian Federation. Our motors are UL certified, which guarantees their safety and quality requirements for the North American market.

Quality CONCEPT

Motovario® has obtained the quality certification renewal of its production system in conformity to the UNI EN ISO 9001:2008 standard. This internationally recognised certification acknowledges the company's commitment and drive geared towards constantly improving products, projects and services offered. Moreover, the company has obtained the OHSAS 18001:1999 (Occupational Health and Safety Assessment Series) certification, which defines the requirements of the workplace safety and health management system.

Research & DEVELOPMENT

Technological innovation: a crucial factor for competing in the market. In the company's 50-year history, research and change have been the pivotal factors in guaranteeing competitiveness at a global level, thanks to increasingly advanced products in terms of performance and reliability. Each year the company invests an increasing amount of its turnover in research and development, geared towards promoting the constant study and analysis of products, control processes and performance certification. In order to ensure that customers receive products that comply with the requested performance levels, the company carries out simulations on all new products, including NVH (Noise, Vibration, Harshness) tests effected in the advanced semi-anechoic chamber.

Customer CARE

Innovative instruments and software applications supporting the technical and logistic requirements of our partners worldwide guarantee a timely and customised service. The experience acquired by Motovario® has led to the creation of the new online portal MyMotovario 4.0, which allows for selecting products and exporting their 3D file. As a result, designers and engineering departments can download the three-dimensional model of the requested product and implement it directly in their own layout. In order to maximise customer service and quality, Motovario® offers all its customers the following online services: Order Tracking, which allows for monitoring the progress of an order in real time, and the Stock Availability service, through which users may check the availability (stock) of our products, both in the Italian plant and in the various branches.

Motovario chooses technological evolution.

Motovario® has chosen technological evolution and actively collaborates with the Faculty of Engineering of the University of Modena and Reggio Emilia and of the University of Bologna.

Reliability, sturdiness, versatility

These are the distinctive traits of Motovario products. A broad range of transmission products that provide a competent, innovative solution to each and every power application need. Cutting-edge tools, unrelenting research efforts and ongoing commitment to upgrading manufacturing equipment to the latest state-of-the-art enable us to offer high quality and performance standards to cater to industry requirements and the broadest variety of applications. Motovario ranks among the leading, well-reputed companies in Italy engaged in the design, manufacture and sales of transmission products for industrial and civil applications. The entire manufacturing process takes place in Formigine and Ubersetto plants, in Modena area, with an overall surface area of over 50.000 sq m. and a workforce of about 500 people. 170 numerically controlled machines and cutting-edge handling, storage and assembly automated systems ensure that all products meet high quality standards. The network includes more than 40 Motovario-certified assembly centres, with the capability to supply products in a broad range of versions, including customised versions, high service capacity and fast response. As a result, our product offering can cater to the needs of all plant engineering sectors, in all industries and for different applications, and includes: speed variators, helical, bevel-helical, parallel helical, worm gear reducers and gearmotors, electric motors and motor-inverters. All of the products we manufacture share such common features as reliability, sturdiness and versatility, topped with a high innovation content. At the heart of a company's technological innovation is the ability to develop integrated tools for computer-aided calculation simulation and management of different processes as part of product development. When simulating operating, setup and process conditions, it is also necessary to analyse and optimize the overall functional design of a product using a synergistic approach. This is achieved by implementing an exhaustive experimental plan, without using interpolation or approximation, as they frequently allow criticalities or any oversizing which is not conducive to maximising quality/cost ratio to go unnoticed.

High-efficiency method for calculation according to standards

A set of specific functions have been developed to this end. A few significant examples include functions to:

- Optimise individual reduction ratios and the combinations of the different reduction stages based on parametrisable target normal series;
- Calculate torque values and maximum permissible external forces for gear reducer units, using iterative numeric algorithms to confirm target life/safety values of components;
- Create databases for loading a FEM structural analysis model by automatically writing all reaction components of bearings under all load conditions to a specific file, with automatic selection of critical cases that need to be verified.

Another goal of the method is to create synergy between calculation according to standards and FEM structural calculation and the implementation of FEM model loading procedures, so as to simplify input data, meshing and constraint criteria

Competitiveness and operational benefits of the new method

This method offers many practical advantages over traditional calculation procedures within the company, namely:

- Iterative optimisation of project since setup stage;
- Accurate assessment of the various service factors and reliability levels for the entire gear reducer unit and for all operating conditions as per catalogue rating or customer specific requirements;
- Faster support to customers in analysing tailored product configurations;
- Integrated corporate databases that can be updated in real-time.

Range extension and ongoing evolution

The steady, significant growth of Motovario Group is achieved thanks to an ongoing search for new calculation and design tools, as well as to customer service. The new tools identified have led to innovation, improved product reliability as well as positive developments in market management. The following software products are used for design, calculation and management:

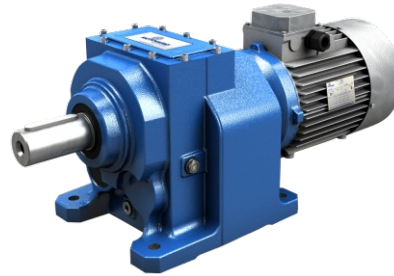
- Solidworks;
- Kisoft;
- Kissys;
- Ansys;
- FEM modelling analysis software;
- Circuit design and simulation software;
- Specific spreadsheets;
- SAP.

In MyMotovario 4.0 portal, PRODUCT SELECTION includes a section named APPLICATIONS where customers can enter application data and find out which gear reducer suits them best in a matter of minutes.

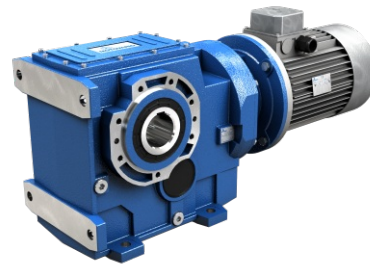
MOTOVARIO Products

HELICAL GEAR REDUCERS

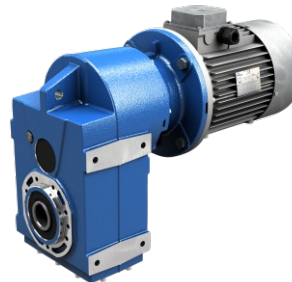
Cast iron or aluminum casing
 Output shaft up to 90 mm
 Mn₂ up to 8.600 Nm
 Reduction stages 1, 2, 3
 Ratios up to 354
 Atex units

**HELICAL BEVEL GEAR REDUCERS**

Cast iron or aluminum casing
 Output shaft up to 110 mm
 Mn₂ up to 14.000 Nm
 Reduction stages 2, 3
 Ratios up to 443
 Atex units

**SHAFT MOUNTED GEAR REDUCERS**

Cast iron
 Output shaft up to 90 mm
 Mn₂ up to 10.250 Nm
 Reduction stages 2, 3
 Ratios up to 395
 Atex units

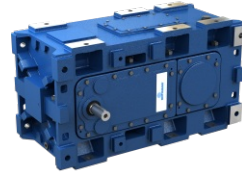
**WORM GEAR REDUCERS**

Cast iron or aluminum casing
 Output shaft up to 50 mm
 Mn₂ up to 2.700 Nm
 Ratios up to 1083
 Atex units



**PARALLEL HELICAL AND
BEVEL HELICAL GEAR REDUCERS
FOR MIDDLE HEAVY INDUSTRY**

Cast iron casing
Output shaft up to 180 mm
Mn₂ up to 110.000 Nm
Reduction stages 1, 2, 3, 4
Ratios up to 636
Atex units

**MOTOVARIATORS AND
MOTOVARIATOR-GEAR REDUCERS**

Cast iron or aluminum casing
Ratios infinite
Mn₂ up to 5.000 Nm
Atex units



ELECTRIC MOTORS

Power ratings up to 90 kW
Poles 2, 4, 6
Three-phase and single-phase, built-in brake, dual polarity
Protection class up to IP66

**DRIVES****DRIVON - motoinverter**

Three phase and single phase power supply
High dynamics sensorless vectorial control
Power ratings up to 5,5 kW
Standard integrated STO
Integrated field bus
Optional field bus



1.3.1 Symbols

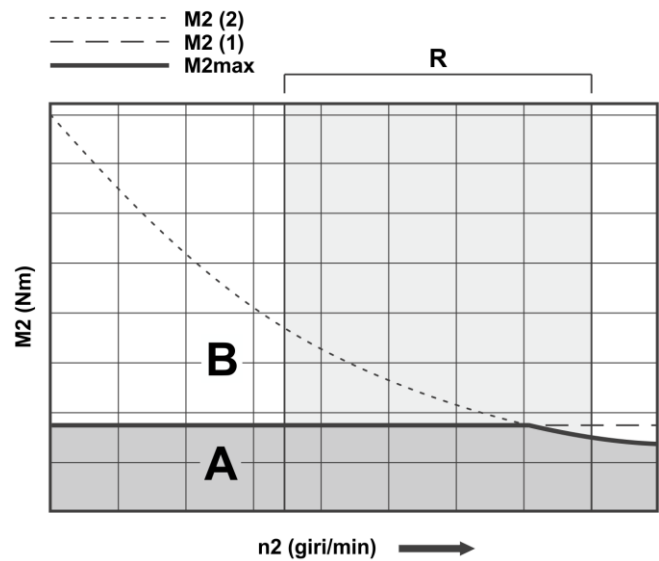
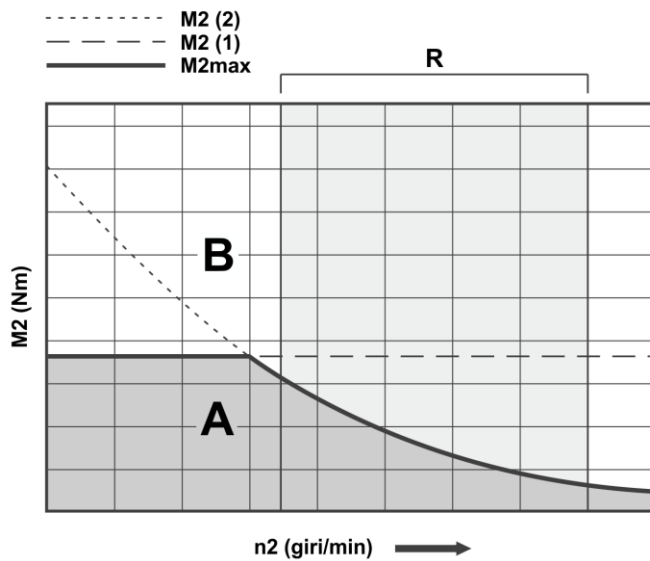
Physical dimension	Symbol	Symbol units of measure	Input	Output
Power	P	[kW]	P ₁	P ₂
Requested power	Pr	[kW]	Pr ₁	Pr ₂
Nominal power	Pn	[kW]	Pn ₁	Pn ₂
Torque	M	[Nm]	M ₁	M ₂
Nominal torque	Mn	[Nm]		Mn ₂
Requested torque	Mr	[Nm]	Mr ₁	Mr ₂
Speed	n	[rpm]	n ₁	n ₂
Load	F	[N]		
Radial load	Fr	[N]	Fr ₁	Fr ₂
Radial axial	Fa	[N]	Fa ₁	Fa ₂
Reduction ratio	i			
Dynamic efficiency	η _d			
Service factor	f.s.			
Static	s			
Dynamic	d			
Calculated	c			
Maximum	max			
Minimum	min			
Moment of inertia	J	[kgm ²]	J ₁	
Ambient temperature	T _{amb}	[°C]		
Dimension		[mm]		
Number of screw threads	Zl			
Lead angle	Υ	[° ' "]		
Axial module	Mx			
Dynamic efficiency of n1= 1400 rpm	η _δ (1400)			
Static efficiency	η _s			

1.3.2 Formulas

REDUCER		
Starting or stopping time	$t = v / a$	[s]
Velocity in rotary motion	$v = \pi * d * n / 60$ $v = \omega * r$	[m/s]
Speed velocity Angular velocity	$n = 60 * v / (\pi * d)$ $\omega = v / r$	[rpm] [rad/s]
Acceleration or deceleration according to a starting / stopping time	$a = v / t$	[m/s ²]
Angular acceleration	$\alpha = n / (9,55 * t)$ $\alpha = \omega / t$	[rad/s ²]
Starting or stopping distance (according to acceleration / deceleration or angular velocity)	$s = a * t^2 / 2$ $s = v * t / 2$	[m]
Horizontal translation force	$F = \mu * m * g$	[N]
Vertical translation force (lifting)	$F = m * g$	
Inclined plane translation force	$F = m * g (\mu * \cos\beta + \sin\beta)$	
m= mass [kg]; g= gravity acceleration [m/s ²]; μ = friction coefficient; β = angle of inclination		
Moment of inertia	$J = m * v^2 / \omega^2$	[kgm ²]
Torque	$M = F * d / 2$ $M = J * \omega / t$	[Nm]

MOTOR and GEARMOTOR		
Starting time	$t_a = (J_{ext} + J_m) * n_n / 9,55 + (M_{peak} - M_r)$	[s]
Braking time	$t_s = (J_{ext} + J_m) * n_n / 9,55 + (M_{peak} + M_r)$	[s]
Motor rotation angle during starting	$\varphi = n_n * t_a / 19,1$	[rad]
Motor rotation angle during braking	$\varphi = n_n * t_s / 19,1$	[rad]
Power available at the shaft of single phase motor	$P = V * I * \eta * \cos\omega$	[W]
Power available at the shaft of three phase motor	$P = 1,73 * V * I * \eta * \cos\omega$	[W]

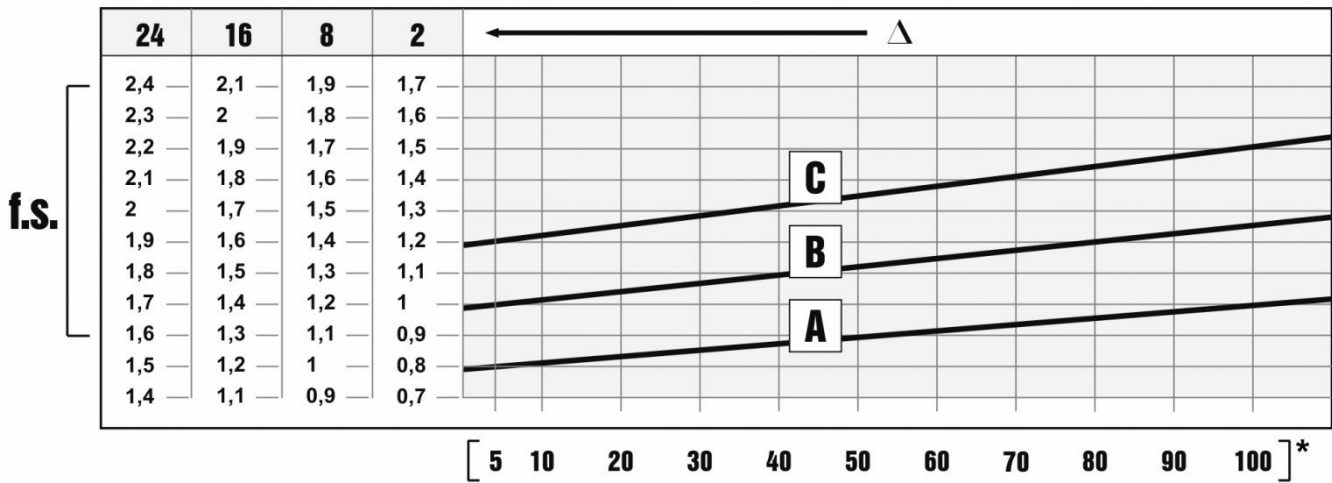
RUNNING at 60Hz		
Speed velocity at 60Hz	$n_{60Hz} = 1,2 * n_{50Hz}$	[rpm]
Power at 60Hz	$P_{1\ 60Hz} = P_{1\ 50Hz} * V_{60Hz} / V_{50Hz}$	[kW]
If input voltage at 60 Hz (V_{60Hz}) corresponds to winding voltage at 50 Hz (V_{50Hz}), power doesn't change $P_{1\ 60Hz} = P_{1\ 50Hz}$		
If input voltage at 60 Hz (V_{60Hz}) is 20% higher than winding voltage at 50 Hz (V_{50Hz}), power increases by 20% $P_{1\ 60Hz} = 1,2 P_{1\ 50Hz}$		
Torque at 60Hz	$M_{60Hz} = M_{50Hz} * P_{1\ 60Hz} / (1,2 * P_{1\ 50Hz})$	[Nm]
Service factor at 60Hz	$f.s_{60Hz} = f.s_{50Hz} * 1,175 * P_{1\ 50Hz} / P_{1\ 60Hz}$	-



The maximum loading curve of a motovariator (M2 max) is usually split into two separate parts: one with constant torque and another one with a decreasing torque. This curve is given by the minimal value between:

- The speed variator maximum capacity (M2 (1)) is represented by the horizontal line of the graph.
- The maximum output torque (M2 (2)) which refers to motor power is represented by a decreasing curve inversely proportioned to the speed.

To avoid damage, the motor performance cannot exceed the M2 max constant output torque of the variator. The speed variator can use the full motor nominal power at higher r.p.m. In case the performance required by the application is within the decreasing torque section (as per the picture on the left side) it is not necessary to check the motor output torque, because motor nominal power is always lower than variator capacity (A correct section). For the correct motovariator running, motor output torque must be lower than variator mechanical capacity. When choosing a motovariator it is not necessary to check the service factor, but it is sufficient that the different running speeds are within the correct section, see area A. When choosing a motorvariator coupled with a gear reducer it is important to check the service factor, as indicated on the gear reducers catalogue. The maximum number of starts depends on the type of application, it is recommended not to exceed 5-10 per minute. For any different requests, please contact MOTOVARIO TECHNICAL SERVICE.



The service factor (f.s.) depends on the operating conditions the gear reducer is subjected to. The parameters that need to be taken into consideration to select the most adequate service factor correctly comprise:

- type of load of the operated machine : A - B - C
- length of daily operating time: hours/day (Δ)
- start-up frequency: starts/hour (*)

LOAD:

- **A** - uniform = $f_a \leq 0,3$
- **B** - moderate shocks = $f_a \leq 3$
- **C** - heavy shocks = $f_a \leq 10$

$f_a = J_e/J_m$

- J_e [kgm^2] moment of reduced external inertia at the drive-shaft
- J_m [kgm^2] moment of inertia of motor

If $f_a > 10$ call MOTOVARIO TECHNICAL SERVICE.

In the case of a variable speed reducer, once determined the service factor of the application it is necessary to compare this value with the safety factor of the S reducer reported in the selection tables, verifying $S \geq f.s.$ condition. The maximum number of admissible starts depends on the type of application. Approximately, the figure must not exceed 5-10 for minute. Contact MOTOVARIO TECHNICAL SERVICE if you have any special requirements.

- A. Screw feeders for light materials, fans, assembly lines, conveyor belts for light materials, small mixers, lifts, cleaning machines, fillers, control machines.
- B. Winding devices, woodworking machine feeders, goods lifts, balancers, threading machines, medium mixers, conveyor belts for heavy materials, winches, sliding doors, fertilizer scrapers, packing machines, concrete mixers, crane mechanisms, milling cutters, folding machines, gear pumps.
- C. Mixers for heavy materials, shears, presses, centrifuges, rotating supports, winches and lifts for heavy materials, grinding lathes, stone mills, bucket elevators, drilling machines, hammer mills, cam presses, folding machines, turntables, tumbling barrels, vibrators, shredders.

To install the variator with reducer it is necessary to note the following recommendations:

- Check the correct direction of rotation of the gear reducer output shaft before fitting the unit to the machine.
- In the case of particularly lengthy periods of storage (4/6 months), if the oil seal is not immersed in the lubricant inside the unit, it is recommended to change it since the rubber could stick to the shaft or may even have lost the elasticity it needs to function properly.
- Whenever possible, protect the variator with reducer against solar radiation and bad weather.
- Ensure the motor cools correctly by ensuring good passage of air from the fan side.
- In the case of ambient temperatures $< -5^{\circ}\text{C}$ or $> +40^{\circ}\text{C}$ call MOTOVARIO TECHNICAL SERVICE.
- The various parts (pulleys, gear wheels, couplings, shafts, etc.) must be mounted on the solid or hollow shafts using special threaded holes or other systems that anyhow ensure correct operation without risking damage to the bearings or external parts of the units. Lubricate the surfaces in contact to avoid seizure or oxidation.
- Painting must definitely not go over rubber parts and the holes on the breather plugs, if any.
- For units equipped with oil plugs, replace the closed plug used for shipping with the special breather plug.
- Check the correct level of the lubricant through the indicator, if there is one.
- Starting must take place gradually, without immediately applying the maximum load.
- When there are parts, objects or materials under the motor drive that can be damaged by even limited spillage of oil, special protection should be fitted.

Please note: in the event of a cover with adhesive label having to be replaced, you will have to stick a new label onto the new cover. Please contact Motovario and we can supply you with one.

2.1.1 Design features

Motovario products are supplied with the following surface treatment features:

Die-cast aluminum alloy cases for gears

Die-cast materials undergo the following surface cleaning operations:

- De-burring by means of a mechanically operated shearing system.
- Accurate shot-peening.
- Painting.
- Washing and passivation.

Grey-coloured cast-iron cases for gears

- Die-cast materials are always painted.

Grey-coloured cast-iron inspection cover: The gear reducer H... series with 2, 3 stages sizes 125 are supplied with grey-coloured cast-iron closing cover and a metal nameplate printed.



Painting specifications:

- Orange-peel blue epoxy-polyester RAL 5010. Polyester resin based heat-hardening powders, altered with epoxy resins.

Mechanical properties: Tests carried out onto degreased Unichim white lattens (film thickness: 60 microns) comply with the following specifications: adherence (ISO2409).

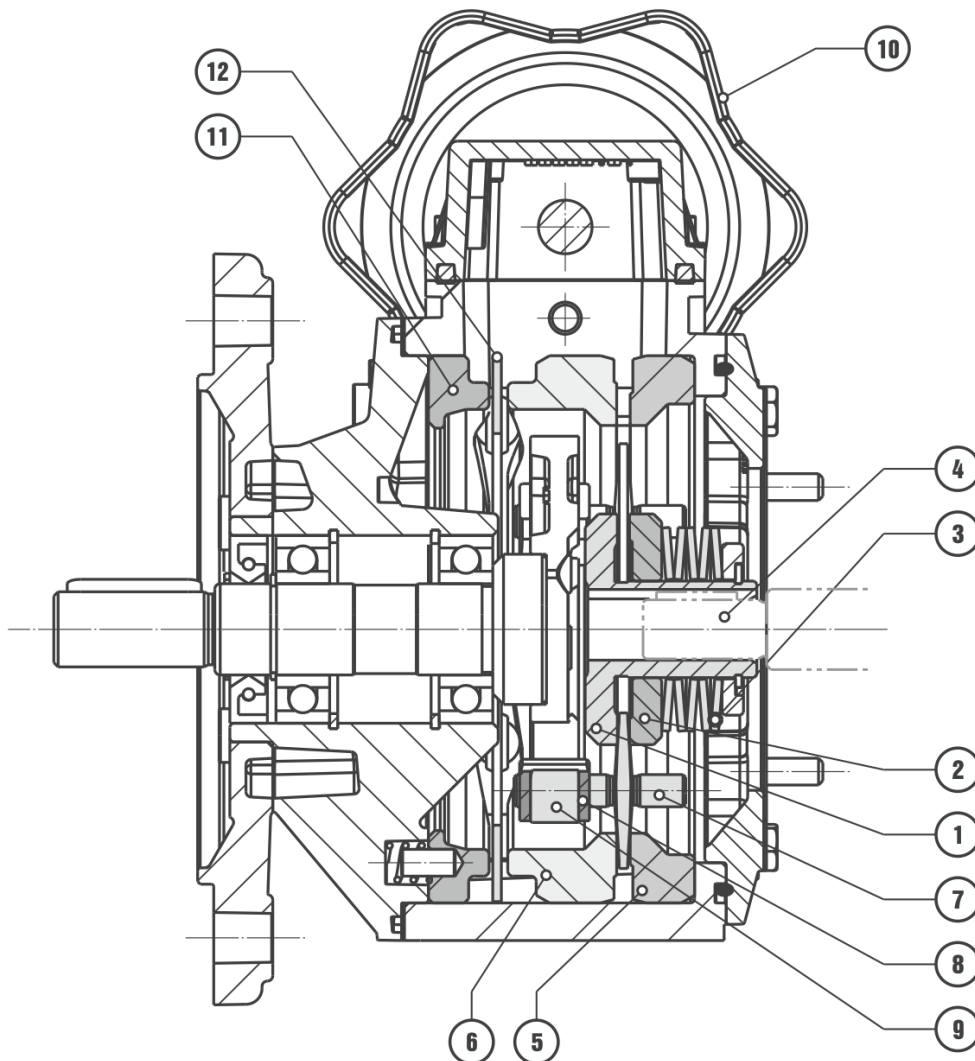
Heat resistance: 24 HOURS AT 150°C.

Corrosion strength: ASTM B 117/97 salt fog from 100 to 500 hours depending on the support's preliminary treatment.

Performance:

- Loading capacity in accordance with DIN 3990, ISO 6336, AGMA 2101, ISO 10300, DIN 3991, ISO 281, DIN 743, ISO 14521, DIN 3996, BS 721, AGMA 6034.

2.1.2 Running



N°	Description
1	Fixed sun race
2	Adjustable sun race
3	Belleville spring
4	Shaft

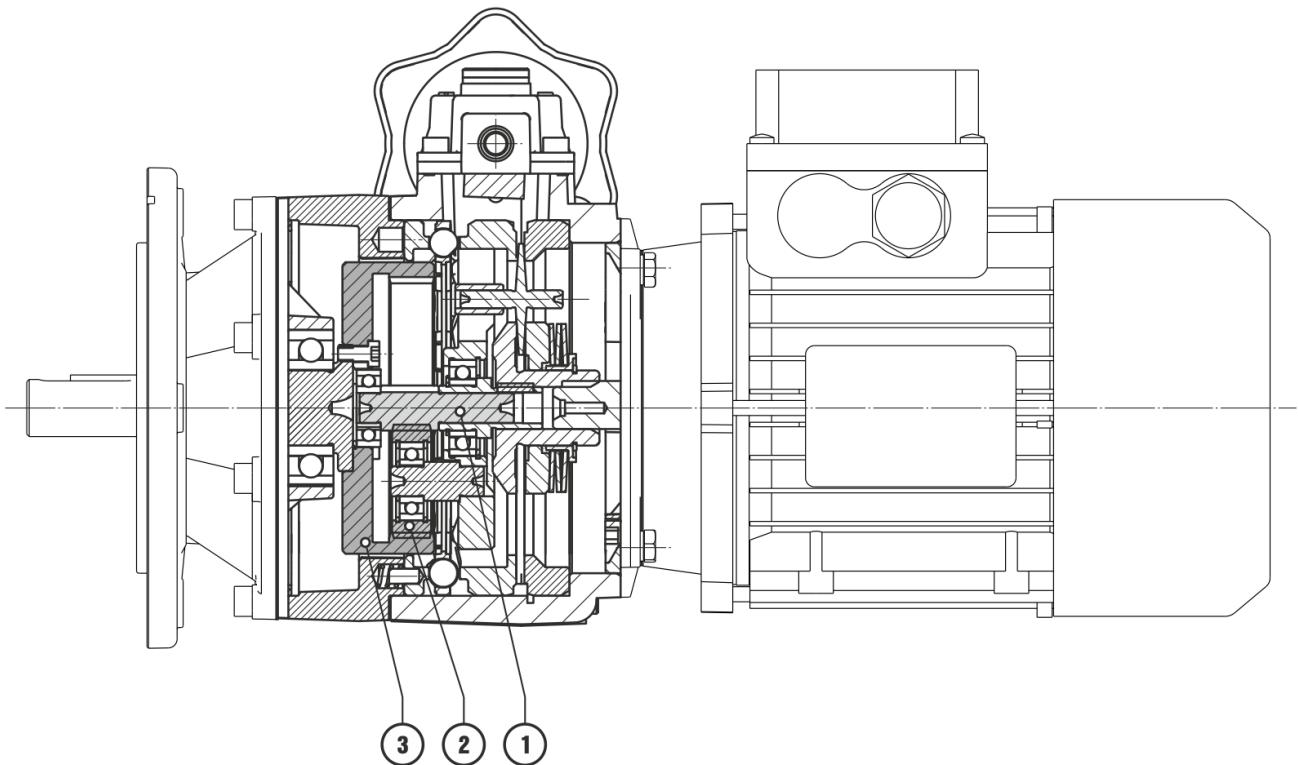
N°	Description
5	Fixed annulus race
6	Adjustable annulus race
7	Planet disk
8	Planet disk friction bearing

N°	Description
9	Planet carrier
10	Control Handwheel
11	Cam ring
12	Ball ring

The motor variator is composed of two internal tracks (1 and 2) secured by Belleville washers (3) locked to the motor shaft (4), two external tracks (5 and 6) secured to the casing and a certain number of planets (7) mounted on bushes (8) which run radially on the planet carrier (9) which transmits the drive. The planets in contact with the internal tracks that drive them, and with the fixed external tracks, have a double motion: rotation around their own axes, and rotation around the external tracks which drives the planet carrier, itself mounted to the output shaft. The speed is changed by operating the handwheel (10), which moves track (6), supported on a ball bearing race (12), angularly on the countertrack with cams (11). This movement modifies the space between the tracks (5 and 6) and thus varies the radial displacement of the planets and hence the drive transmitted to the planet carrier.

N.B.: This adjustment may only be made with the unit running.

2.1.3 Differential



The motovariators can be equipped with epicyclic differential units to vary output speed over the range between 0 RPM and maximum RPM. Zero RPM output speed is achieved by transmitting the constant speed of the input shaft not only to the variator's sun races but also to the sun gear (1) which drives the additional epicyclic gear train. Input speed as varied by the variator is relayed to the planet gears (2) of the epicyclic differential. This causes planet gears (2) to rotate at the same speed as the driving sun gear (1). Under these conditions the annulus gear (3) of the epicyclic differential remains stationary, and there is no rotation of the output shaft.

2.2.1 Critical applications

TXF - SF	002-003	005	010	020	030	050	100
2000 < n1 < 3000	✓	✓	✓	B	A	A	A
n1 > 3000	B	B	B	A	A	A	A
V3 - V6	B	B	B	B	B	B	B

H	A30	A40	A50	A60
V5 - V1: 1500 < n1 < 3000	✓	✓	✓	✓
n1 > 3000	B	B	B	B
V3 - V6	B	B	B	B

H	030	040	050	060	080	100	125
V5 - V1: 1500 < n1 < 3000	✓	✓	✓	✓	✓	✓	B
n1 > 3000	B	B	B	B	B	B	A
V3 - V6	B	B	B	B	B	B	B

NMRV - NMRV-P	NMRV			NMRV-P				NMRV	
	030	040	050	063	075	090	110	130	150
V5: 1500 < n1 < 3000	✓	✓	✓	B	B	B	B	B	B
n1 > 3000	B	B	B	B	B	A	A	A	A
V6	B	B	B	B	B	B	B	B	B

✓ Verified application

A Application not recommended

B Check the application and/or call MOTOVARIO TECHNICAL SERVICE.

2.2.2 Information

The performance given in the catalogue correspond to mounting position B3 or similar, when the first stage is not entirely immersed in oil. For other mounting positions and/or particular input speeds, refer to the tables that highlight different critical situations for each size of gear reducer. It is also necessary to take due consideration of and carefully assess the following applications by calling MOTOVARIO TECHNICAL SERVICE:

- To avoid the use as multiplier.
- Use in services that could be hazardous for people if the gear reducer fails.
- Applications with especially high inertia.
- Use as a lifting winch.
- Applications with high dynamic strain on the case of the gear reducer.
- In places with T_{amb} under -5°C or over 40°C .
- Use in chemically aggressive environments.
- Use in a salty environment.
- Mounting positions not envisaged in the catalogue.
- Use in radioactive environments.
- Use in environments pressures other than atmospheric pressure.
- Use of brake motors coupled with variators/geared variators.

Avoid applications where even partial immersion of the reducer is required.

In the presence of overloading due to full load, braking, shocks or other static and dynamic causes, please verify that the peak torque is less than $2 \cdot M_{n2}$.

2.3.1 Information

The value of the admissible radial load [N] is given in the tables relating to the performance of the gear reducer at issue. It is related to the load applied on the centre line of the shaft and in the most unfavourable conditions of angle of application and direction of rotation. The maximum admissible axial loads are 1/5 of the value of the given radial load when they are applied in combination with the radial load. The tables relating to the output shafts give the maximum admissible value. This value must never be exceeded since it relates to the strength of the case. Particular conditions of radial load higher than the limits of the catalogue may occur. In this case, call our Technical Service and provide details on the application: direction of the load, direction of rotation of the shaft, type of service. In case of double extension shafts with radial load applied on both ends, the max. admissible radial loads must be defined according to the specific running conditions, in this case call our Technical Service. The radial load on the shaft is calculated with the following formula:

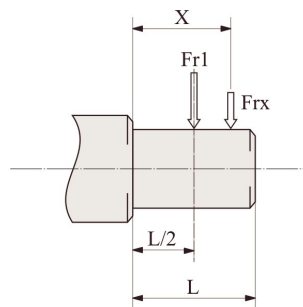
$$Fr_e = (2000 \cdot M \cdot f_z) / D \leq Fr_1 \text{ or } Fr_2$$

- **Fr_e** [N] Resulting radial load
- **M** [Nm] Torque on the shaft
- **D** [mm] Diameter of the transmission member mounted on the shaft
- **Fr₁-Fr₂** [N] Value of the maximum admitted radial load (see relative tables)
- **f_z** = 1,1 gear pinion - 1,4 chain wheel - 1,7 v-pulley - 2,5 flat pulley

2.3.2 Input

When the radial load is not on the centre line of the shaft, it is necessary to adjust the admissible radial load Fr₁ with the following formula: $Fr_x = (Fr_1 \cdot a) / (b + x)$

- **a**, **b** = values given in the tables
- **x** = distance from the point of application of the load to the shaft shoulder



SF-ST	003	005	010	020	030	050	100
a	46	59	75	85	117	117	141
b	35	44	55	60	87	87	101
Fr₁ max	460	660	880	910	1480	1480	5900

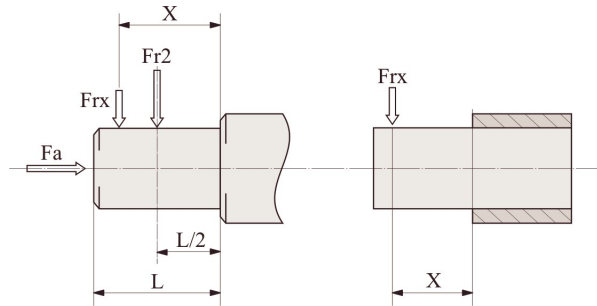
(**Fr₁ max) Max admissible value of the reducer in static conditions and/or for limited operations. For continuous overhung loads please check the values on the performances tables calculated according to the casing, the shaft and bearings.

2.3 OVERHUNG LOAD

2.3.3 Output

When the radial load is not on the centre line of the shaft, it is necessary to adjust the admissible radial load Fr_2 with the following formula: $Fr_x = (Fr_2 \cdot a) / (b + x)$

- a , b = values given in the tables
- x = distance from the point of application of the load to the shaft shoulder



TXF	002	005	010
a	43	63	74
b	28	43	49
Fr2 max	550	1050	1350

SF	003	005	010	020	030	050	100
a	62	75	94	107	154	154	169
b	47	55	69	77	114	114	129
Fr2 max	760	1120	1910	2290	4540	4540	5890

ST	003	005	010	020	030	050	100
a	73	111	135	161	189	189	228
b	58	91	110	131	149	149	188
Fr2 max	1000	2080	2500	3000	5600	5600	7160

H	A41	A51	A61	A32/A33	A42/A43	A52/A53	A62/A63
a	81	83	103	105	115	135	155
b	61	58	73	85	90	105	115
Fr2 max (**)	1100	3000	4500	2000	4300	6000	8000

HR	041	051	061	081	101	121
a	89	98	115	151	210	232
b	79	73	85	111	155	177
Fr2 max (**)	1000	2500	3700	4000	5000	6000
Fa max (*)	5500	6500	7000	8500	11500	13500

H	032/033	042/043	052/053	062/063	082/083	102/103	122/123
a	120	138	169	195	238	281	331
b	96	108	134	155	188	221	261
Fr2 max (**)	5500	6600	8000	12000	18000	22000	30000

NMRV NMRV-P	030	040	050	063	075	090	110	130	150
a	65	84	101	120	131	162	176	188	215
b	50	64	76	95	101	122	136	148	174
Fr2 max (**)	1830	3490	4840	6270	7380	8180	12000	13500	18000

(**Fr2 max) Max admissible value of the reducer in static conditions and/or for limited operations. For continuous overhung loads please check the values on the performances tables calculated according to the casing, the shaft and bearings.

(*Fa) Maximum permissible value of the gearbox with tapered roller bearings. Axial loads are not allowed with ball bearings. Sizes 041-051-061 in the STANDARD version are supplied with ball bearings.

2.4.1 Information

In cases of ambient temperatures not envisaged in the table, call our Technical Service. In the case of temperatures under -30°C or over 60°C it is necessary to use oil seals with special properties. For operating ranges with temperatures under 0°C it is necessary to consider the following:

1. The motors need to be suitable for operation at the envisaged ambient temperature.
2. The power of the electric motor needs to be adequate for exceeding the higher starting torques required.
3. In case of variator with reducer with a cast-iron case, pay attention to impact loads since cast iron may have problems of fragility at temperatures under -15°C .
4. During the early stages of service, problems of lubrication may arise due to the high level of viscosity taken on by the oil and so it is wise to have a few minutes of rotation under no load.

Oil (NON Atex products) must be changed after approx. 10000 hours (5000 for variator)/2 years of operation; this time varies based on the type of service and on the environment inside which the gear reducer is installed. Units not featuring any oil plug are life-lubricated, and therefore maintenance-free.

2.4.2 Lubricants

Specifications of lubricants recommended by Motovario.

The units **TX002 ÷ 010** and **S003 ÷ 100** are supplied with ENI BLASIA 32 oil, unless otherwise specified by the client.

The units **H032/3 ÷ 101/2/3** and **H121** are supplied with ENI BLASIA 220 oil, unless otherwise specified by the client.

The units **H122/3** are supplied without lubricant.

The units **NMRV030 ÷ 150** and **NMRV-P063 ÷ 110** are supplied with ENI TELIUM VSF320 oil, unless otherwise specified by the client.

	TX002 ÷ 010 S003 ÷ 100	HA30 ÷ A60 H030 ÷ 125 HR041 ÷ 121		NMRV030 ÷ 150 NMRV-P063 ÷ 110
	Mineral oil	Mineral oil		Synthetic oil
*T_{amb} °C ISO	(-10) ÷ (+40) ISO VG32	(-5) ÷ (+40) ISO VG220	(-15) ÷ (+25) ISO VG150	(-25) ÷ (+50) ISO VG320
ENI	BLASIA 32	BLASIA 220	BLASIA 150	TELIUM VSF320
SHELL	SPIRAX S3 ATF MD3	OMALA S2 G 220	OMALA S2 G 150	OMALA S4 WE320
KLUBER	-	Kluberoil GEM 1-220N	Kluberoil GEM 1-150N	Klubersynth GH 6-320
MOBIL	ATF 220	MOBILGEAR 600 XP220	MOBILGEAR 600 XP150	SHC 632
CASTROL	DEXRON II	ALPHA SP 220	ALPHA SP 150	ALPHASYN PG320
BP	AUTRAN DX III	ENERGOL GR-XP220	ENERGOL GR-XP150	ENERGOL SG-XP320
PETRONAS	TUTELA TRANSMISSION GI/A	GEAR MEP 220	GEAR MEP 150	GEAR SYN PAG 320

2.4.3 Quantity

- For mounting positions B3-B5, speed variators are supplied complete with lubricant. Different mounting positions, should be specified on the order.
- If you need to add lubricant in Open PAM variators, please refer to oil types recommended on the table, by means of the oil level plug. Check oil level when the variator is not working.
- For the gear reducer HA series with 2, 3 stages and for the reducers H series with 1, 2, 3 stages it is always necessary to specify the envisaged position.
- The gear reducer HA series with 1, 2, 3 stages all sizes, HR... series with 1 stage sizes O40, O50, O60 and H... series with 2, 3 stages sizes O30, O40, O50 are supplied complete with lubricant, have no oil plugs and need no maintenance.
- The gear reducer HR... series with 1 stage sizes 80, 100, 125 and H... series with 2, 3 stages sizes O60, O80, 100 are supplied complete with lubricant and are fitted with oil plugs to suit any mounting position included in the catalogue.
- The gear H... series with 2, 3 stages sizes 125 have no lubricant and are fitted with oil plugs to suit any mounting position included in the catalogue. The oil filling can be done on request, in this case it is recommended, after installation, to replace the closed plug used for transportation with the supplied breather plug. When the reduction unit is supplied without lubricant, it is provided with a label to be filled.
- The gear reducers NMRV, NMRV-P series size O30 - O40 - O50 - O63 - O75 - O90 - 105 - 110 - 130 - 150 are supplied complete with lubricant for life, synthetic oil, ENI TELIUM VSF. They can be mounted in any position envisaged in the catalogue, except for NMRV O90 - 110 and NRV O75-O90-110 for which you must to specify the mounting position.
- The gear reducers NMRV for sizes 130 and 150 it is necessary to specify the position, otherwise the gear reducers are supplied with the quantity of oil relating to pos. B3.
- The gear reducers NMRV for sizes 130 and 150 are fitted with breather, level and oil drainage plugs.

Oil quantity in the table (litres -) are indicative; for a proper use you will have to refer to the level plug or the dipstick. Any level difference could depend on construction tolerances, but also by the placement of the unit or by the mounting surface at the customer's premises. It is appropriate to check and, if necessary, restores the level when the units are installed.

TX	002	005	010
B5 - B6 - B7	0,11	0,15	0,4
B8 - V1 - V5	0,3	0,5	0,9
V3 - V6	0,3	0,5	0,9

Var S	003	005	010	020	030/050	100
B3 - B5 - B6 - B8	0,17	0,24	0,4	0,7	1,4	2,3
V1 - V5	0,24	0,4	0,8	1,2	2,5	4,1
V3 - V6	0,26	0,4	0,4	0,7	2,5	3,7

H - CH	HA41	CHA41	A51	A61	A32	A42	A52	A62	A33	A43	A53	A63
B3-B5												
B8							1,2	1,9			1,9	2,4
B6-B7	0,23	0,13	0,25	0,62	0,68	0,7			1,1	1,16		
V5-V1							1,6	2,1			2,5	3,1
V6-V3												

HR - CHR	O41	O51	O61	O81	101	121	O41M	O51M	O61M	O81M	101M	121M
B3-B5	0,5	0,7	0,7	1,45	3,5	4,7	0,5	0,5	0,5	1,5	3,5	3,9
B5R	0,5	0,5	0,5	1,5	3,5	3,9	-	-	-	-	-	-
B8	0,5	0,5	0,5	1,5	3,5	3,9	0,5	0,7	0,7	1,45	3,5	4,7
B6-B7	0,5	0,7	0,7	1,5	3,5	4,1	0,5	0,7	0,7	1,5	3,5	4,1
V5-V1	0,5	0,7	0,9	1,5	3,5	4,7	0,5	0,7	0,9	1,5	3,5	4,7
V6-V3	0,5	0,7	0,7	1,5	3,5	4,1	0,5	0,7	0,7	1,5	3,5	4,1

2.4 LUBRICATION

H - CH	032/033	042/043	052/053	062/063	082/083	102/103	122/123
B3-B5	0,8	1,2	1,4	2,4	4,5	8,1	12,5
B8	0,85	1,2	1,4	3,1	5	8,9	12,5
B6-B7	1	1,2	1,8	3	4,6	8,4	12,1
V5-V1	1,3	1,75	2,15	3,9	7,6	12,7	20,5
V6-V3	1,2	1,7	2,1	4,4	7,5	14,2	21

NMRV	030	040	050	130	150
B3	0,04	0,08	0,15	4,5	7
B8				3,3	5,1
B6-B7				3,5	5,4
V5				4,5	7
V6				3,3	5,1

NMRV-P	063	075	090	110
B3	0,33	0,55	1,15	1,6
B8				
B6-B7				
V5				
V6				

MOTOVARIATORS

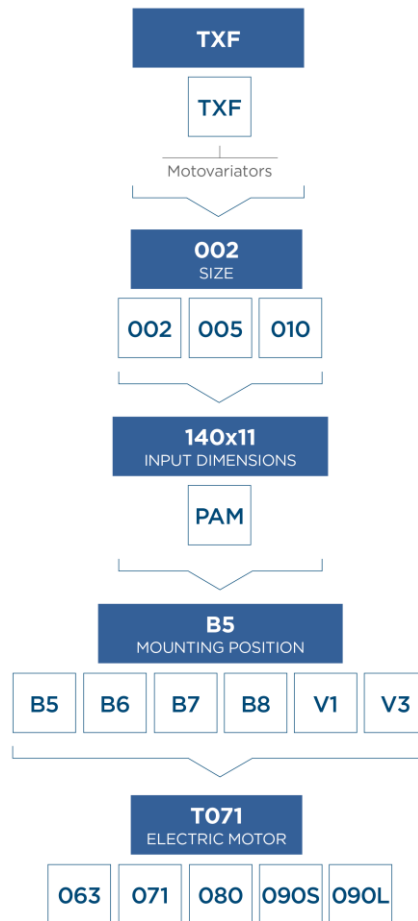


TXF

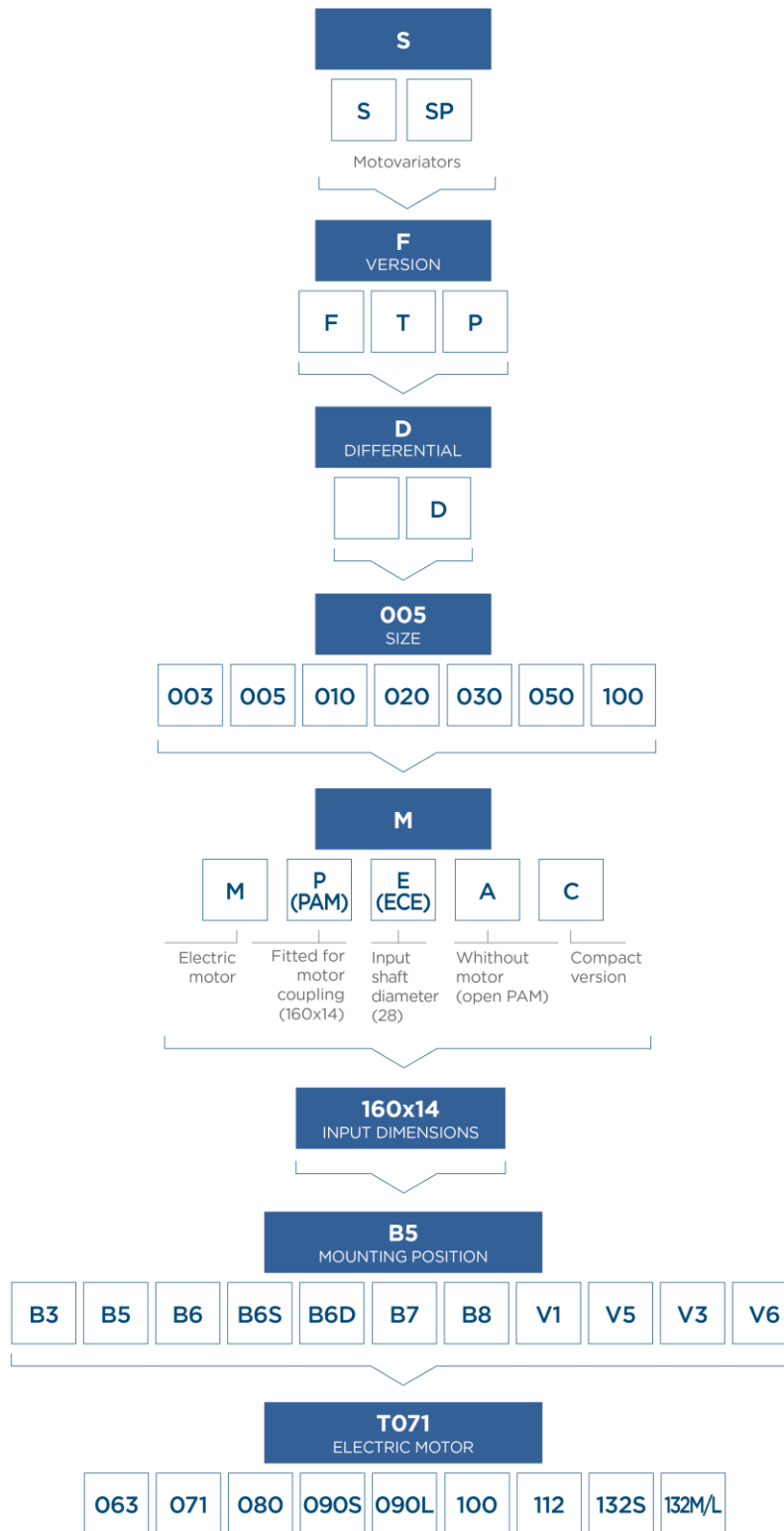


S

4.1.1 Designation

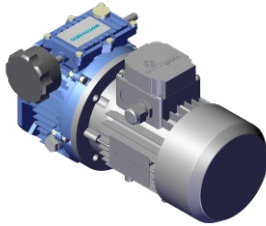
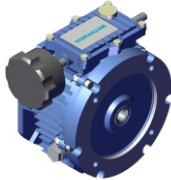



4.1 TYPOLOGY



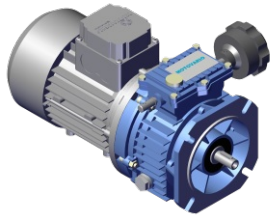
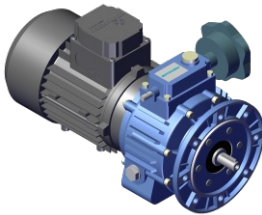
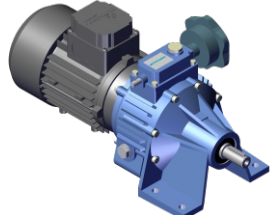
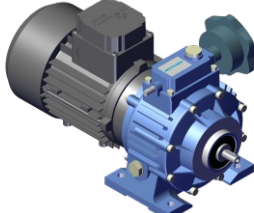
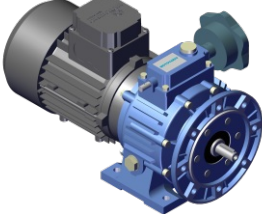
4.1.2 Versions

ENTRANCE

<p>TXF - Electric motor</p>	
<p>S - Electric motor</p>	
<p>TXF - Compact version</p>	
<p>S - Compact version</p>	
<p>S - Fitted for motor coupling</p>	
<p>S - Input shaft</p>	

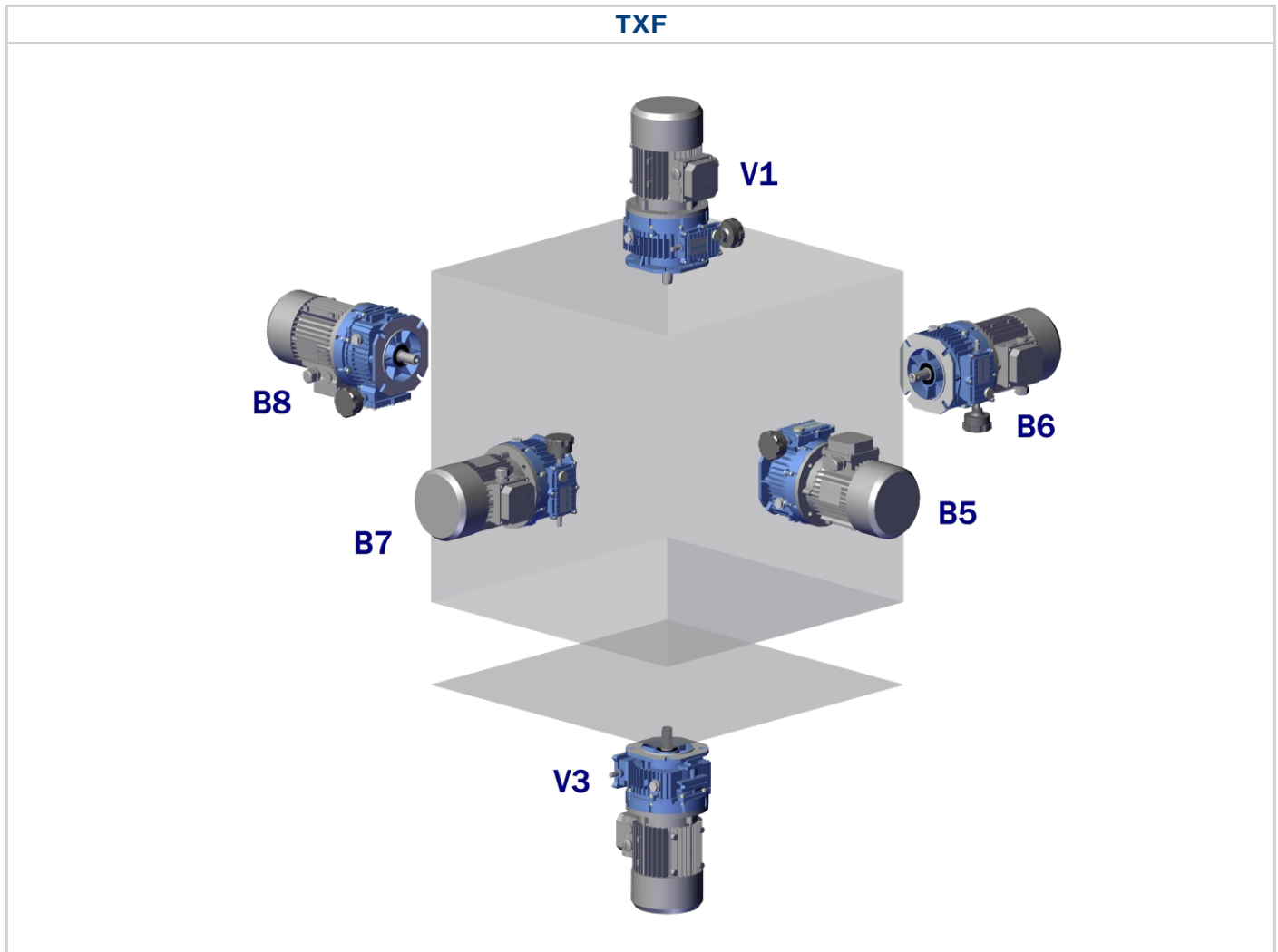
4.1 TYPOLOGY

EXIT

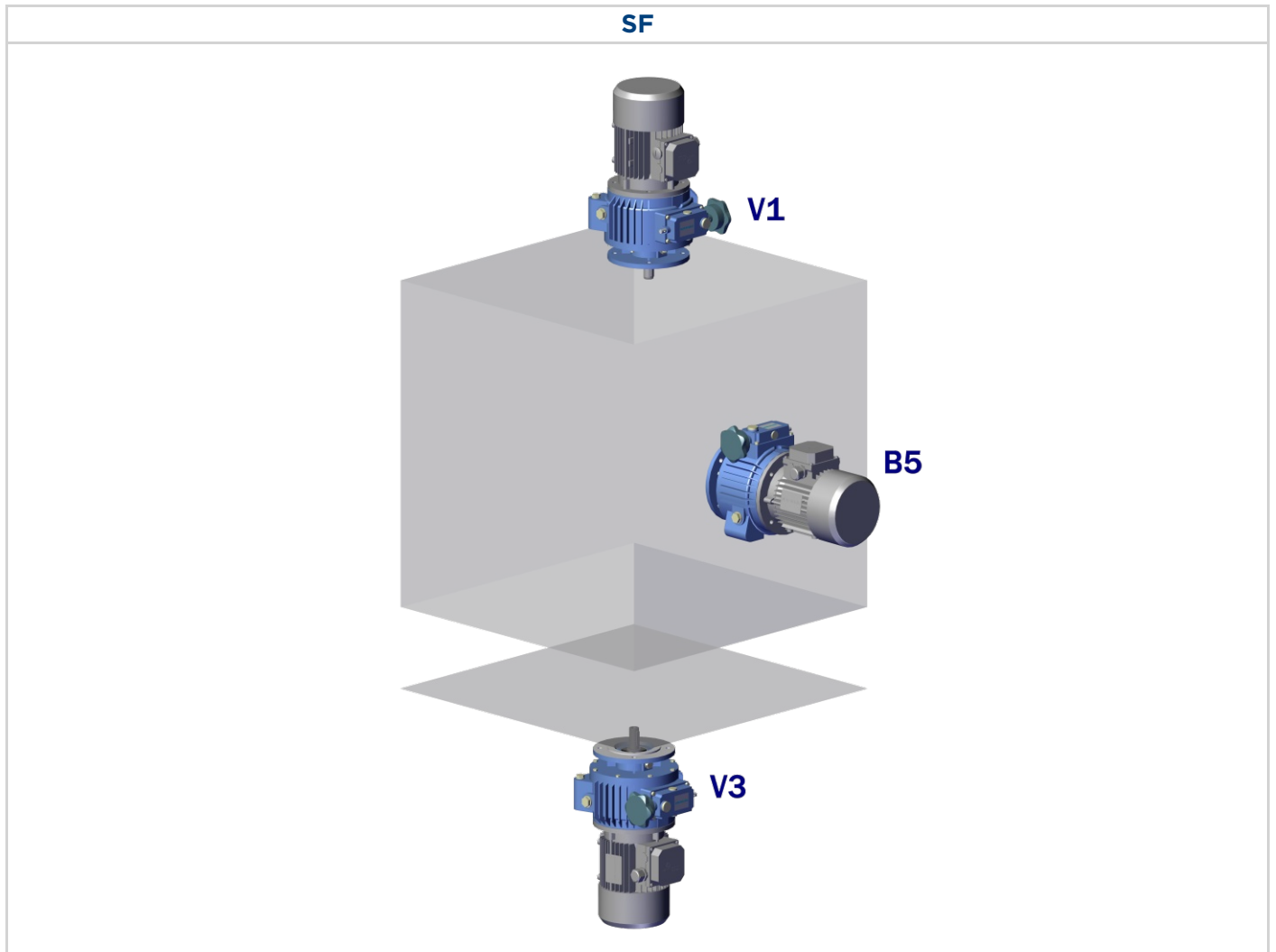
<p>TXF</p>	
<p>SF</p>	
<p>ST</p>	
<p>SP</p>	
<p>SPF</p>	

4.2.1 Mounting positions

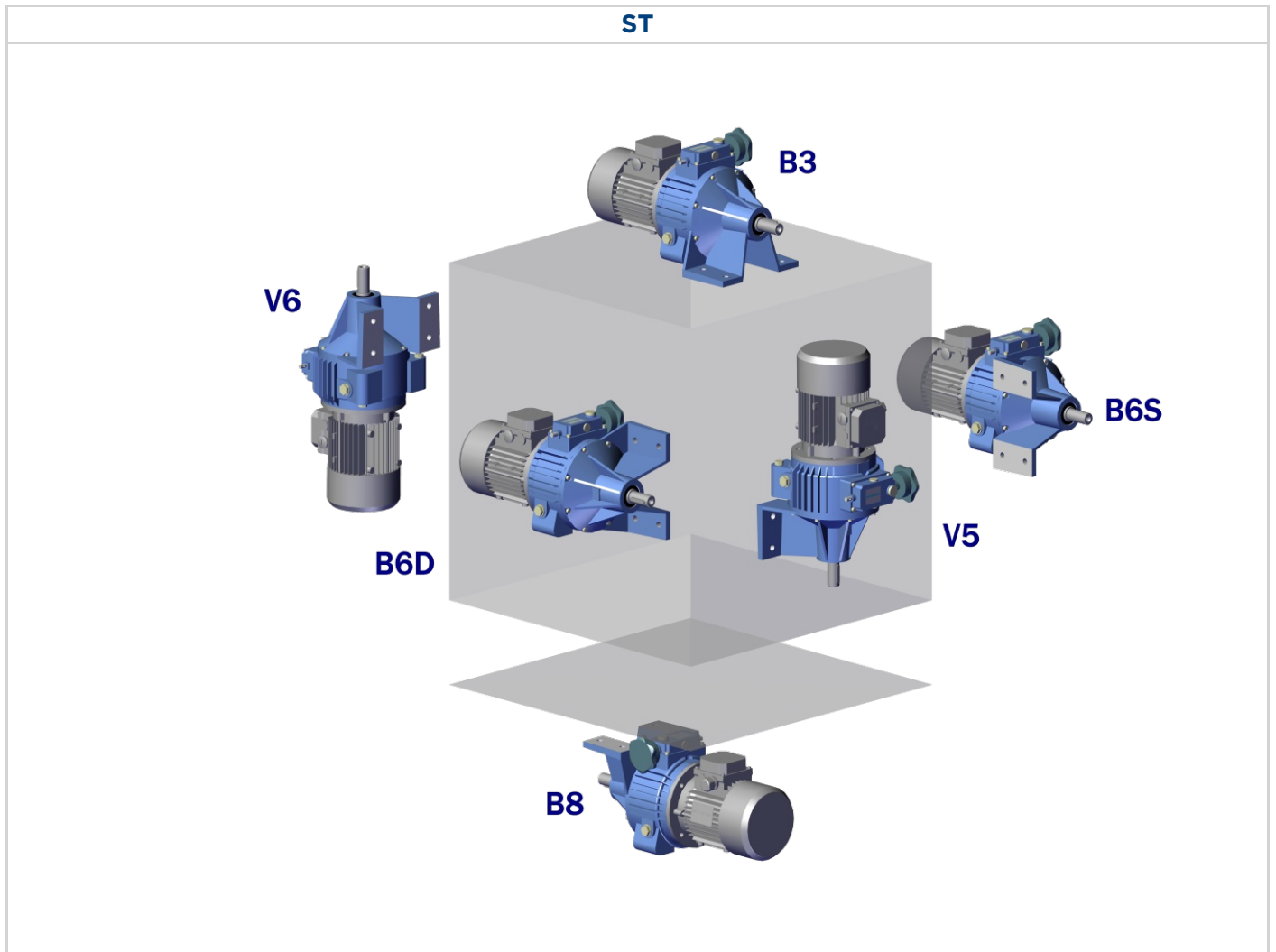
The mounting position of the variator unit identifies its space orientation. B3/B5 mounting position, as from a technical point of view, ensures lower oil splash, better lubrication and less heating.



4.2 MOUNTING POSITIONS



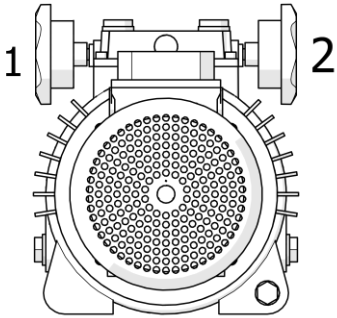
4.2 MOUNTING POSITIONS



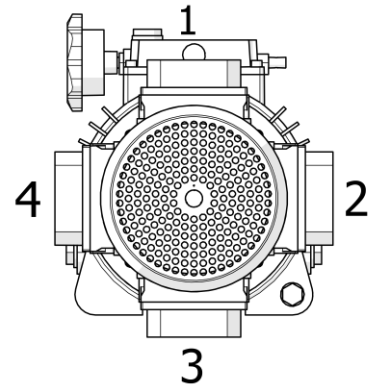
4.2.2 Position of terminal box

In the case of specific requirements, when ordering, specify the position of the terminal box as shown in the diagram. Unless otherwise specified, the gear reducer is supplied with terminal box in position 1.

Control handwheel

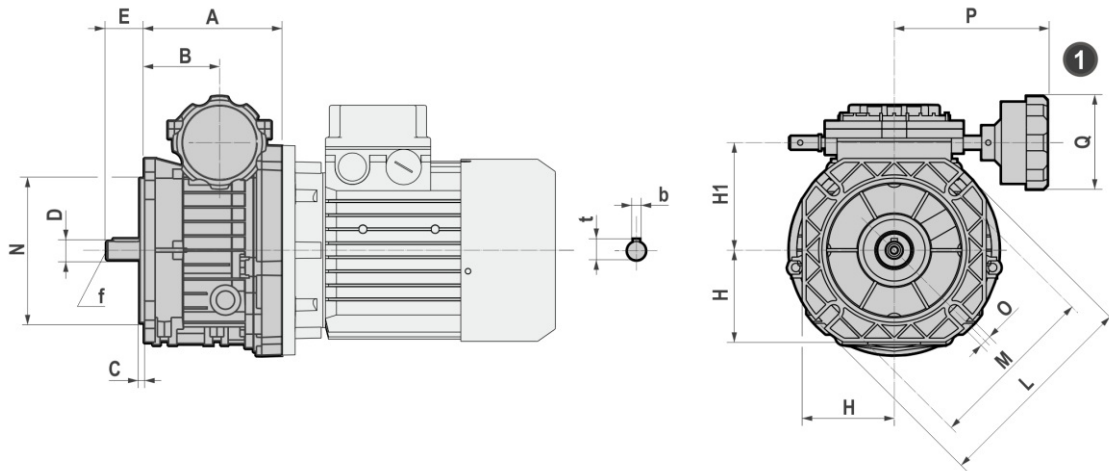


Position of terminal box



5.1 TXF

5.1.1 TXF



TXF	A	B	C	D j6	E	H	H1	L	M
002/063	82,5	40	3	11 (14)	23 (30)	62,5	69	140	115
005/071	103,5	57	3,5	14 (19)	30 (40)	70	82	160	130
005/080	114,5	57	3,5	14 (19)	30 (40)	70	82	160	130
010/080	131,5	68,5	3,5	19 (24)	40 (50)	90	103	200	165
010/090	131,5	68,5	3,5	19 (24)	40 (50)	90	103	200	165

TXF	N f8	O	P	Q	b	t	f
002/063	95	9	116,5	71	4 (5)	12,5 (16)	- (M6)
005/071	110	9	116,5	71	5 (6)	16 (21,5)	M6 (M6)
005/080	110	9	116,5	71	5 (6)	16 (21,5)	M6 (M6)
010/080	130	11	126,5	71	6 (8)	21,5 (27)	M6 (M8)
010/090	130	11	126,5	71	6 (8)	21,5 (27)	M6 (M8)

5.1.2 Weight

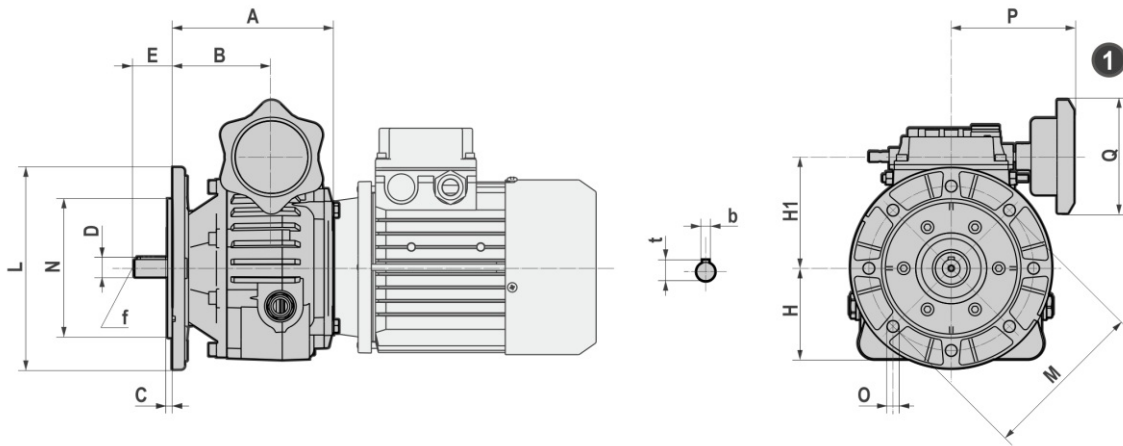
The values reported in the tables are referred to the weight of the gearbox with lubricant included.

*Weight without motor

TXF	-kg
TXF002/063	2,3
TXF005/071	3,3
TXF005/080	4
TXF010/080	6,1
TXF010/090	6,7

5.2 S

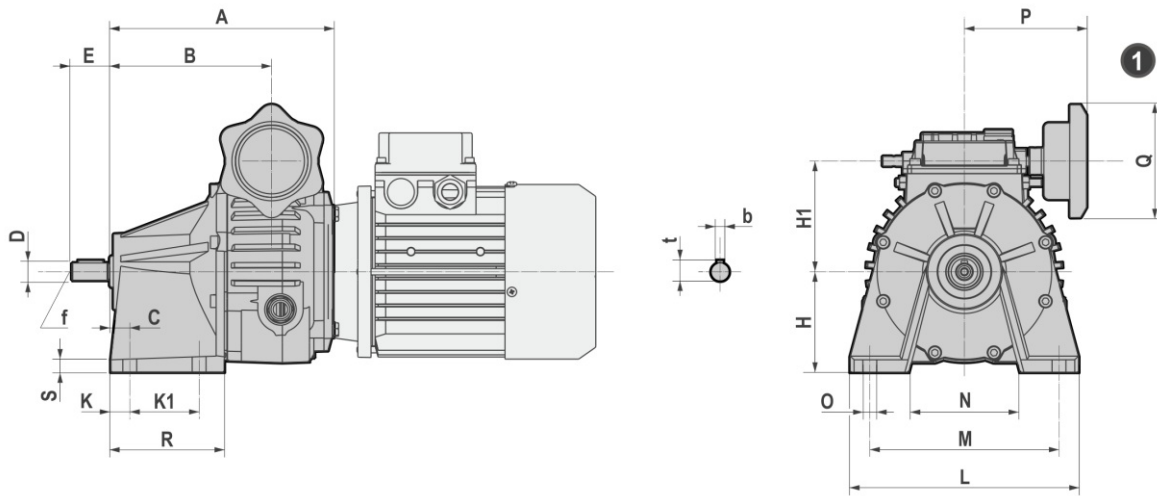
5.2.1 SF



SF	A	B	C	D	E	H	H1	L
003	103	65,5	3	11 j6	23	58	75	140
			3,5	14 j6	30			160
005	127,5	78,5	3,5	14 j6	30	72,5	88	160
			3,5	19 j6	40			200
010	151	94,5	3,5	19 j6	40	90	107	160
			3,5	24 j6	50			200
020	173	105,5	3,5	24 j6	50	108	126	200
			4	28 j6	60			250
030/050	208	123,5	4	28 j6	60	134	158,5	250
			4	38 k6	80			300
100	266	164,5	4	38 k6	80	165	205,5	300
			5	42 k6	80			350

SF	M	N	O	P	Q	b	t	f
003	115	95	9	97	90	4	12,5	M4
	130	110	9			5	16	M5
005	130	110	9	97	90	5	16	M5
	165	130	11			6	21,5	M6
010	130	110	9	107	90	6	21,5	M6
	165	130	11			8	27	M8
020	165	130	11	117	90	8	27	M8
	215	180	14			8	31	M10
030/050	215	180	14	154	120	8	31	M10
	265	230	14			10	41	M12
100	265	230	14	184	120	10	41	M12
	300	250	18			12	45	M12

5.2.2 ST

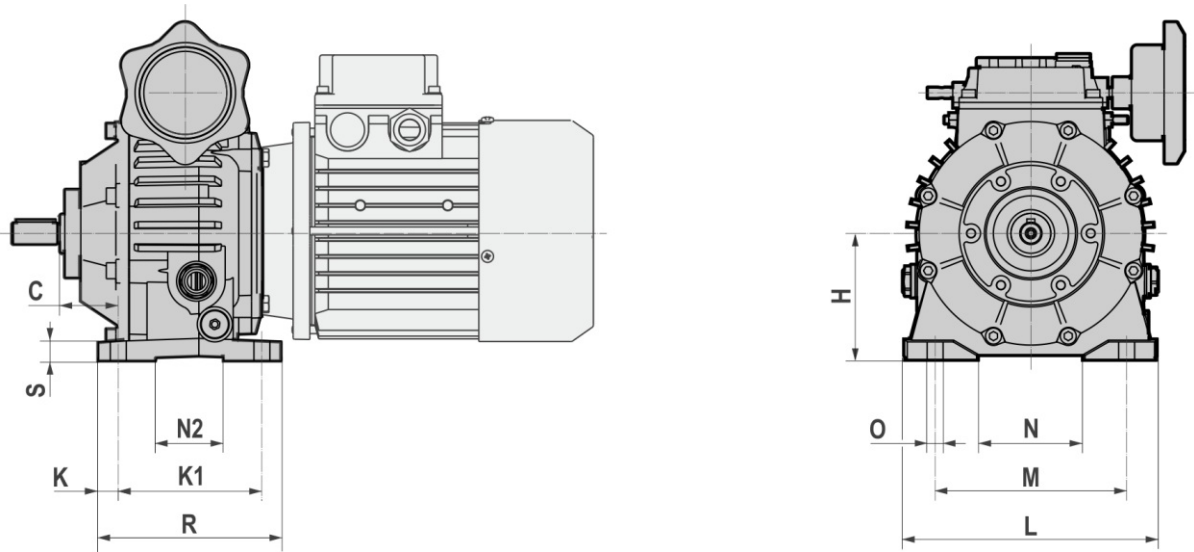


ST	A	B	C	D	E	H	H1	K	K1	L
003	131	93,5	16	11 j6	23	70	75	15	25	130
				14 j6	30					
005	177,5	128,5	16	14 j6	30	80	88	15	55	180
				19 j6	40					
010	213	156,5	19,5	19 j6	40	102	107	18,5	65	220
				24 j6	50					
020	251,5	184,5	25,5	24 j6	50	125	126	23,5	75	250
				28 j6	60					
030/050	294,5	210,5	27	38 k6	80	150	158,5	25	85	310
100	353,5	252,5	32	42 k6	80	190	205,5	29	120	384

ST	M	N	O	P	Q	R	S	b	t	f
003	95	60	9	97	90	60	8	4	12,5	M4
								5	16	M6
005	150	90	11	97	90	90	10	5	16	M6
								6	21,5	M6
010	165	108	11	107	90	110	12	6	21,5	M6
								8	27	M8
020	185	118	14	117	90	130	14	8	27	M8
								8	31	M8
030/050	240	149	18	154	120	150	16	10	41	M10
100	295	193	20	184	120	186	20	12	45	M10

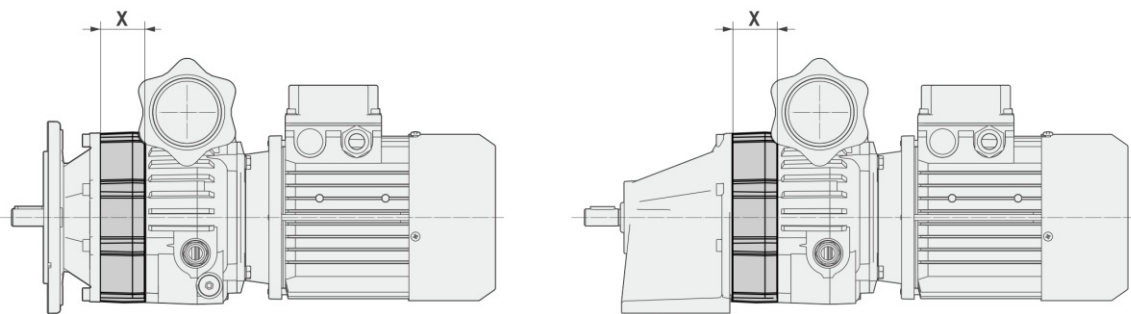
5.2 S

5.2.3 SP



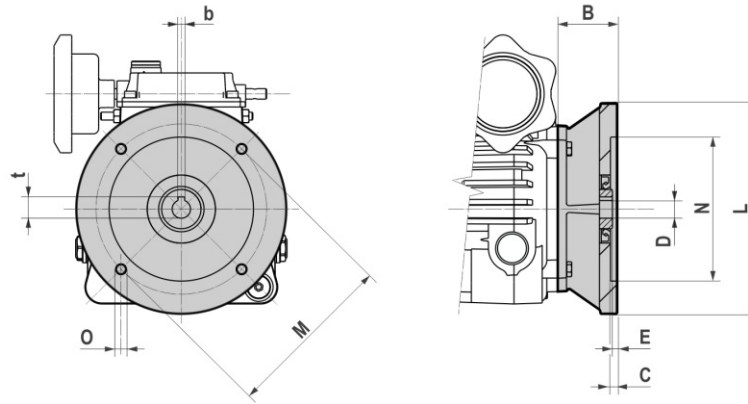
SP	C	H	K	K1	L	M	N	N2	O	R	S
005	36,5	80	12,5	90	155	120	65	42	10	115	12
010	42,5	102	12,5	110	200	150	86	75	11	135	13
020	55,5	125	12,5	115	235	205	103	90	11	140	16
030/050	25,5	150	15	220	290	255	118	140	14	250	20
100	55,5	180	25	255	365	320	140	175	18	305	25

5.2.4 S.D



S.D	X
005	37,5
010	33,5
020	37
030/050	54
100	54

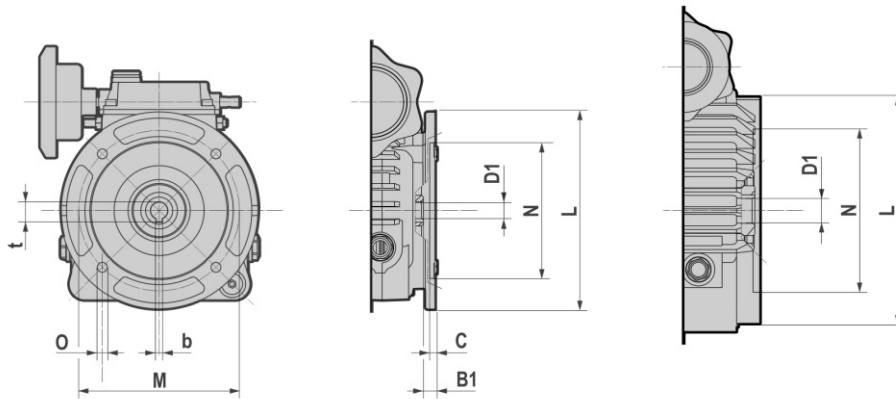
5.2.5 S - PAM



S	B	C	D	E	L	M	N	O	b	t
003	50	4	14	2	105	85	70	6,5	5	16,3
			11		140	115	95	M8	4	12,8
005	45	4	19	3	120	100	80	6,5	6	21,8
		4,5	14		160	130	110	M8	5	16,3
		4,5	19		200	165	130	M10	6	21,8
010	62	5	19	3,25	200	165	130	M10	6	21,8
			24						8	27,3
020	63	4,5	24	1,9	200	165	130	M10	8	27,3
	73	5	28		250	215	180	M12	8	31,3
030/050	72,5	5	28	2	250	215	180	M12	8	31,3
	87,5		38		300	265	230		10	41,3
100	95	5,5	38	5	300	265	230	13,5	10	41,3
	125	6	42	25	350	300	250	M16	12	45,3

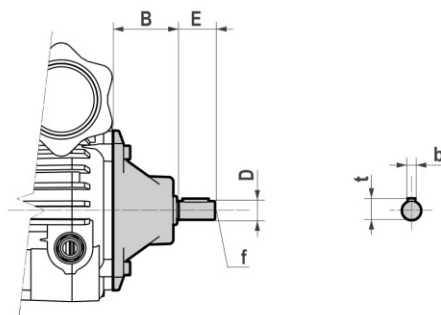
5.2 S

5.2.6 S - PAM C



S	B1	C	D1	L	M	N	O	b	t
003	17,5	4	11	140	115	95	M8	4	12,8
005	10	4,5	14	160	130	110	M8	5	16,3
010	11	6	19	200	165	130	M10	6	21,8
020	/	/	24	200	165	130	M10	8	27,3
030/050	/	/	28	250	215	180	M12	8	31,3
100	/	/	38	300	265	230	M12	10	41,3

5.2.7 S - ECE



S	B	D	E	f	b	t
003	50	11	23	M4	4	12,5
005	50	14	30	M6	5	16
010	65	19	40	M6	6	21,5
020	70	24	50	M8	8	27
030/050	94,5	28	60	M8	8	31
100	110	38	80	M10	10	41

5.2.8 Weight

The values reported in the tables are referred to the weight of the gearbox with lubricant included.

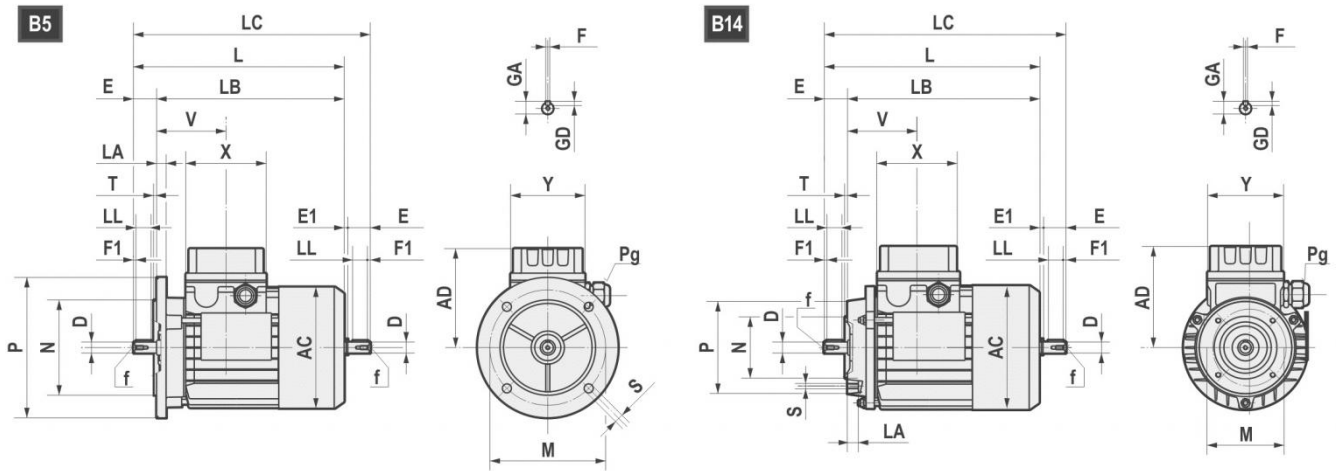
*Weight without motor

SF	-kg
003	2,7
005	5,9
010	11,4
020	22,3
030/050	40,5
100	73

ST	-kg
003	3
005	8,7
010	16,1
020	27,3
030/050	41,5
100	74,5

5.3 ELECTRIC MOTORS

5.3.1 Electric motors



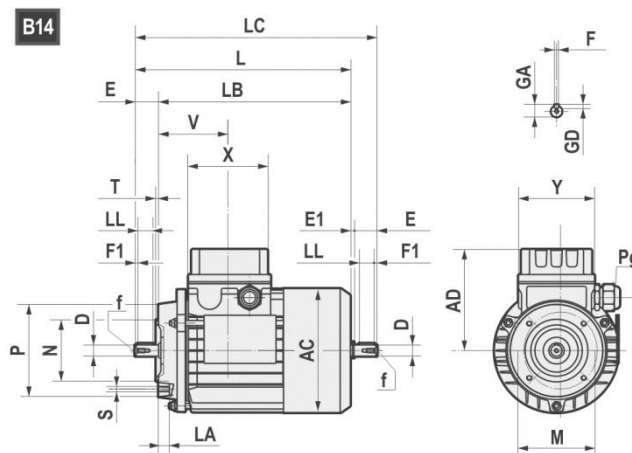
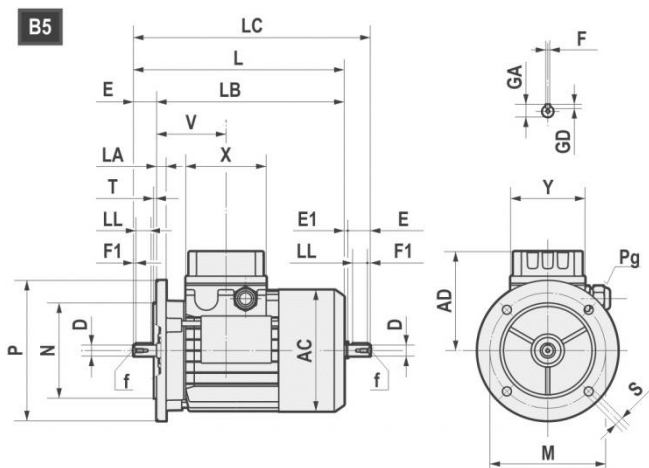
	AC	AD	L	LB	LC	X	Y	V	D	E	E1	f	F1	GA	F	GD
63	121	104	211	188	235,5	80	74	69	11 j6	23	1,5	M4x10	2,5	12,5	4	4
71	139	112	238,5	208,5	271	80	74	74,5	14 j6	30	2,5	M5x12.5	3	16	5	5
80	158	122	272,5 *(296)	232,5 *(256)	314 *(337)	80	74	78	19 j6	40	1,5	M6x16	5	21,5	6	6
90S	173	146	298 *(331)	248 *(281)	349,5 *(381)	98	98	89,5	24 j6	50	1,5	M8x19	5	27	8	7
90L	173	146	323 *(356)	273 *(306)	374,5 *(408)	98	98	89,5	24 j6	50	1,5	M8x19	5	27	8	7
100	191	155	368	308	431,5	98	98	97,5	28 j6	60	3,5	M10x22	7,5	31	8	7
112	211	170	382,5 *(408)	322,5 *(348)	447 *(472)	98	98	100	28 j6	60	3,5	M10x22	7,5	31	8	7
132S	249	195	452	372	536,5	118	118	115,5	38 k6	80	4	M12x28	10	41	10	8
132L	249	195	490	410	574,5	118	118	115,5	38 k6	80	4	M12x28	10	41	10	8
160S	249	195	520	410	/	118	118	115,5	42k6	100	/	M16x36	10	45	12	8

*TP80B4, TP90S4, TP90L4, TP90S6, TP112M4, TP112M6

B5	M	N	P	LA	S	T
63	115	95	140	10	9	3
71	130	110	160	10	9,5	3,5
80	165	130	200	12	11	3,5
90	165	130	200	12	11	3,5
100	215	180	250	15	14	4
112	215	180	250	14,5	14	4
132	265	230	300	20	14	3,5
160	300	250	350	13	18,5	3,5

B14	M	N	P	LA	S	T
63	75	60	90	10	M5	2,5
71	85	70	105	10,5	M6	2,5
80	100	80	120	10,5	M6	3
90	115	95	140	11,5	M8	3
100	130	110	160	15	M8	3,5
112	130	110	160	11,5	M8	3,5
132	165	130	200	20,5	M10	3,5
160	215	180	250	-	M12	4

5.3 ELECTRIC MOTORS



		AC	AD	L	LB	X	D	E	f	GA	F	GD	LL	Pg	
160M	2-4-6	314	251	600	490	158	42	110	M16	45	12	8	90	2-M40x1,5	1-M16x1,5
160L	2-4-6	314	251	645	535	158	42	110	M16	45	12	8	90	2-M40x1,5	1-M16x1,5
180M	2-4	355	267	680	570	158	48	110	M16	51,5	14	9	100	2-M40x1,5	1-M16x1,5
180L	4-6	355	267	720	610	158	48	110	M16	51,5	14	9	100	2-M40x1,5	1-M16x1,5
200L	2-4-6	397	300	785	675	187	55	110	M20	59	16	10	100	2-M50x1,5	1-M16x1,5
225S	4	446	325	820	680	187	60	140	M20	64	18	11	125	2-M50x1,5	1-M16x1,5
225M	2	446	325	815	705	187	55	110	M20	59	16	10	100	2-M50x1,5	1-M16x1,5
225M	4-6	446	325	845	705	187	60	140	M20	64	18	11	125	2-M50x1,5	1-M16x1,5
250M	2-4-6	485	360	910	770	238	60	140	M20	64	18	11	125	2-M63x1,5	1-M16x1,5
250M	2-4-6	485	360	910	770	238	65	140	M20	69	18	11	125	2-M63x1,5	1-M16x1,5
280S	2-4-6	547	390	970	830	238	65	140	M20	69	18	11	125	2-M63x1,5	1-M16x1,5
280S	2-4-6	547	390	970	830	238	75	140	M20	79,5	20	12	125	2-M63x1,5	1-M16x1,5
280M	2-4-6	547	390	1025	885	238	65	140	M20	69	18	11	125	2-M63x1,5	1-M16x1,5
280M	2-4-6	547	390	1025	885	238	75	140	M20	79,5	20	12	125	2-M63x1,5	1-M16x1,5

B5	M	N	P	LA	S	T
160	300	250	350	13	19	5
180	300	250	350	15	19	5
200	350	300	400	17	19	5
225	400	350	450	20	19	5
250	500	450	550	22	19	5
280	500	450	550	22	19	5

5.3.2 Standard high efficiency (TS), high (TH) and premium (TP) motors

Motovario, three-phase, single polarity motors are available in three different versions (IE1-IE2-IE3) in compliance with standard 60034-30-1 (see table). The efficiency value is calculated according to the method set forth in standard IEC 60034-2-1.

1. IE1: Standard efficiency TS series.
2. IE2: High efficiency TH series
3. IE3: Premium efficiency TP series.

Table of Motovario commercial availability

NOMINAL POWER [kW]	POLES	EFFICIENCY LEVEL		
		IE1	IE2	IE3
$0,09 \leq P_n < 0,75$	2 - 4 - 6	TS-TBS	-	-
$0,75 \leq P_n \leq 11$	2 - 4	TBS	-	-
$0,75 \leq P_n \leq 5,5$	6	TBS	TH-TBH	TP-TBP
$0,75 \leq P_n \leq 9,2$	2 - 4	-	TH-TBH	-
$0,75 \leq P_n \leq 7,5$	2 - 4	-	-	TP-TBP
$7,5 \leq P_n \leq 22$	6	TBS (*)	-	TP
$11 \leq P_n \leq 90$	4	-	-	TP
$15 \leq P_n \leq 37$	2	TBS (*)	-	TP
$15 \leq P_n \leq 55$	4	TBS (*)	-	-

(*) Series available on request.

5.3 ELECTRIC MOTORS

5.3.3 Nominal power - [kW]

	63A	63B	63C	71A	71B	71C	80A			80B		
Poles	TS	TS	TS	TS	TS	TS	TS	TH	TP	TS	TH	TP
2	0,18	0,25	0,37	0,37	0,55	-	-	0,75	0,75	-	1,1	1,1
4	0,12	0,18	0,22	0,25	0,37	0,55	0,55	-	-	-	0,75	0,75
6	0,09	0,12	0,15	0,18	0,25	0,37	0,37	-	-	0,55	-	-

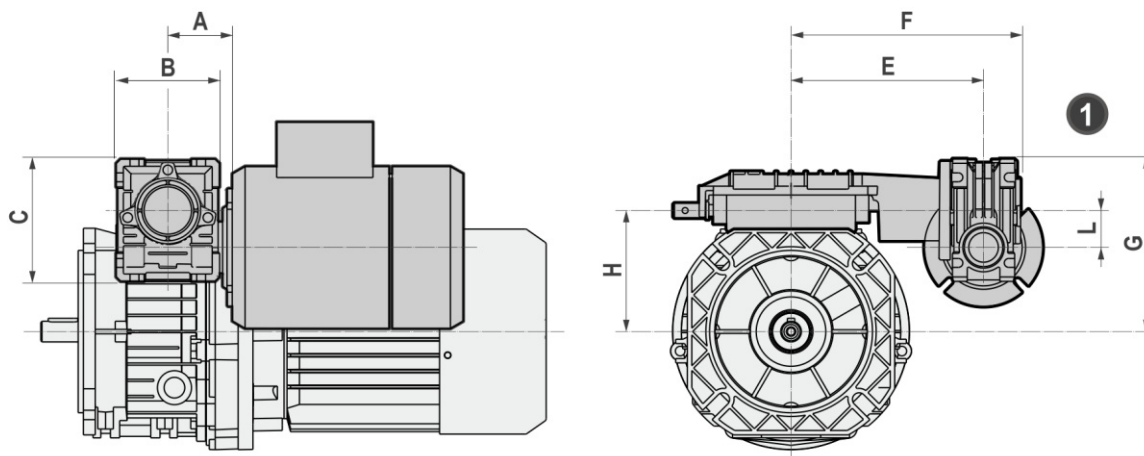
	90S		90L		100LR	100L	100LA		112MR	112MS	112MA	112M
Poles	TH	TP	TH	TP	TP	TP	TH	TP	TP	TP	TH	TP
2	1,5	1,5	2,2	2,2	-	3	3	-	-	-	4	4
4	1,1	1,1	1,5	1,5	-	-	2,2	2,2	2,2	3	4	4
6	-	0,75	0,75	-	1,1	1,5	1,1	-	-	-	2,2	2,2

	112MR	112MS	132S	132SA	132MS	132SB	132M	132MA		132MB	
Poles	TP	TP	TP	TH	TP	TH	TP	TH	TP	TH	TP
2	-	-	5,5	5,5	-	7,5	7,5	9,2	-	-	-
4	2,2	3	-	5,5	5,5	-	7,5	7,5	-	9,2	-
6	-	-	3	3	-	-	-	4	4	5,5	5,5

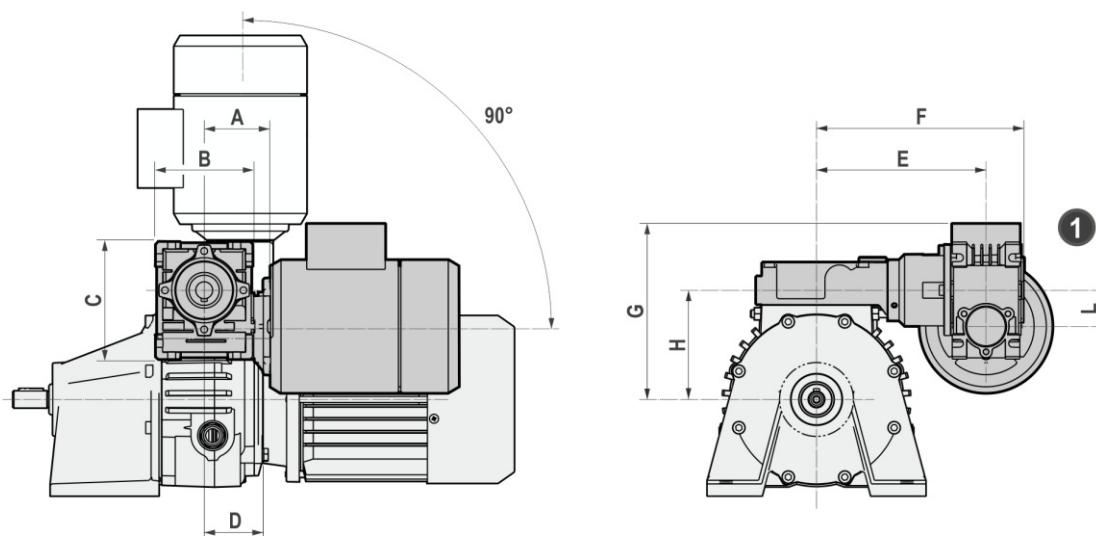
	160M	160MA	160MB	160L	160LA	180M	180L
Poles	TP	TP	TP	TP	TP	TP	TP
2	-	11	15	18,5	-	22	-
4	-	11	-	-	15	18,5	22
6	7,5	-	-	11	-	-	15

	200L	200LA	200LB	225S	225M	250M	280S	280M
Poles	TP	TP	TP	TP	TP	TP	TP	TP
2	-	30	37	-	-	-	-	-
4	30	-	-	37	45	55	75	90
6	-	18,5	22	-	-	-	-	-

6.1 ELECTRICAL SERVOCONTROL



TXF	A	B	C	E	F	G	H	L
002	45	70	83	130	155	104	69	25
005	45	70	83	130	155	117	82	25
010	45	70	83	140	165	138	103	25



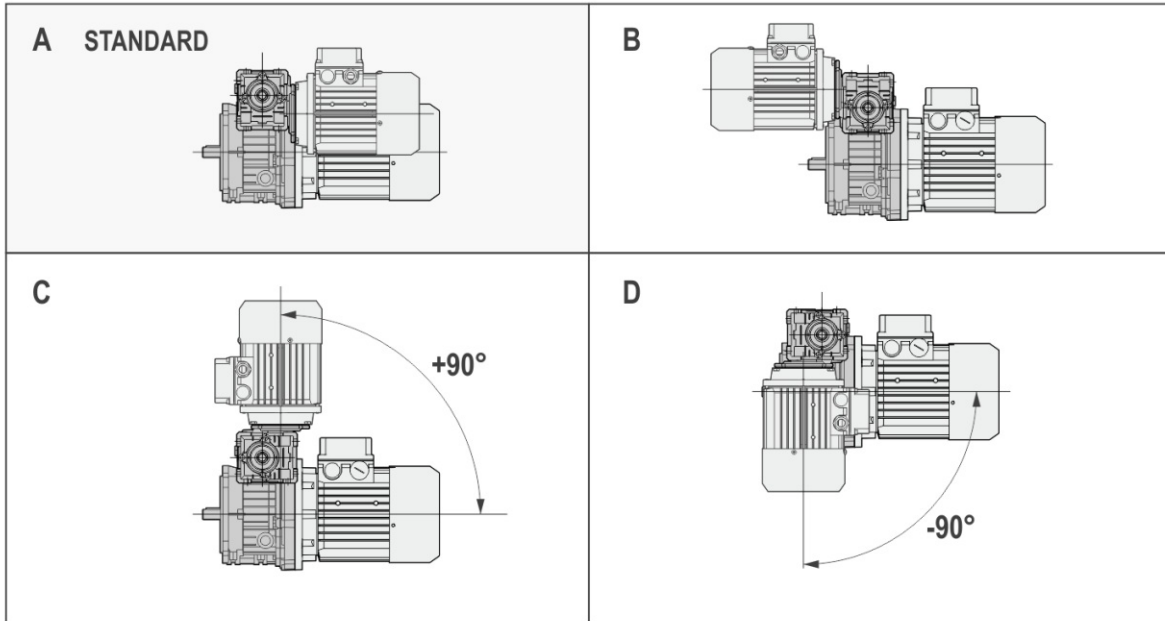
S	A	B	C	D	E	F	G	H	L
005	55	80	97	49	140,5	172	130,5	90,5	30
010	55	80	97	56,5	150,5	182	148,5	108,5	30
020	55	80	97	67,5	160,5	192	167,5	127,5	30
030/050	55	80	97	84,5	164	195,5	198,5	158,5	30
100	55	80	97	102	204	235,5	245,5	205,5	30

TXF002-005-010 / S005-010-020-030-050 P1=0.09 kW/4 - i=30

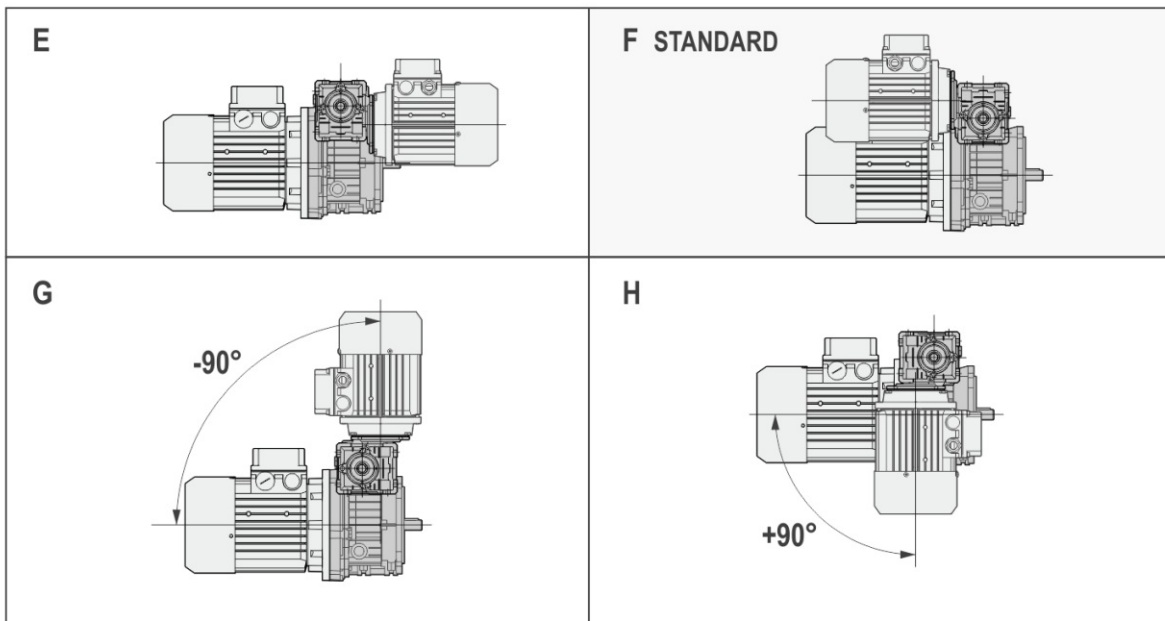
S100 P1=0.18 kW/4 - i=30

6.1 ELECTRICAL SERVOCONTROL

POS.1



POS.2



6.1 ELECTRICAL SERVOCONTROL

TXF	A	B	C	D	E	F	G	H
TXF002/063	✓	✓	✓	✓	✓	✓	✓	✓
TXF005/071	✓	✓	✓	✓	✓	✓	✓	-
TXF005/080	-	✓	✓	✓	✓	✓	✓	-
TXF010/080	✓	✓	✓	-	✓	✓	✓	-
TXF010/090	✓	✓	✓	-	✓	✓	✓	-

S	A	B	C	D	E	F	G	H
S005/071	✓	✓	✓	-	-	✓	✓	✓
S010/080	✓	✓	✓	-	✓	✓	✓	-
S010/090	✓	✓	✓	-	✓	✓	✓	-
S020/090	✓	✓	✓	-	✓	✓	✓	-
S030/100	✓	✓	✓	-	✓	✓	✓	-
S050/112	✓	✓	✓	-	✓	✓	✓	-
S100/132	✓	✓	✓	-	✓	✓	✓	-
S005-PAM120	✓	✓	✓	-	-	✓	✓	✓
S005-PAM140	✓	✓	✓	-	-	✓	✓	✓
S005-PAM160	✓	✓	✓	-	-	✓	✓	✓
S005-PAM200	-	✓	✓	-	-	✓	✓	✓
S010-PAM200	✓	✓	✓	-	✓	✓	✓	-
S020-PAM200	✓	✓	✓	-	✓	✓	✓	-
S020-PAM250	✓	✓	✓	-	✓	✓	✓	-
S030-PAM250	✓	✓	✓	-	✓	✓	✓	-
S030-PAM300	✓	✓	✓	-	✓	✓	✓	-
S050-PAM250	✓	✓	✓	-	✓	✓	✓	-
S050-PAM300	✓	✓	✓	-	✓	✓	✓	-
S100-PAM300	✓	✓	✓	-	✓	✓	✓	-
S100-PAM350	✓	✓	✓	-	✓	✓	✓	-

- ✓ Available position.
- Not available position.

The servomotor must be linked to the main variator drive motor since the speed setting must only be varied while the motovariator is running.

Following accessories are available on request (ask for technical sheets):

- Gravitational indicator;
- Adjustable right-angle control;
- Electrical limit stop;
- Transducer;
- Tacho device digital.

7.1.1 TXF

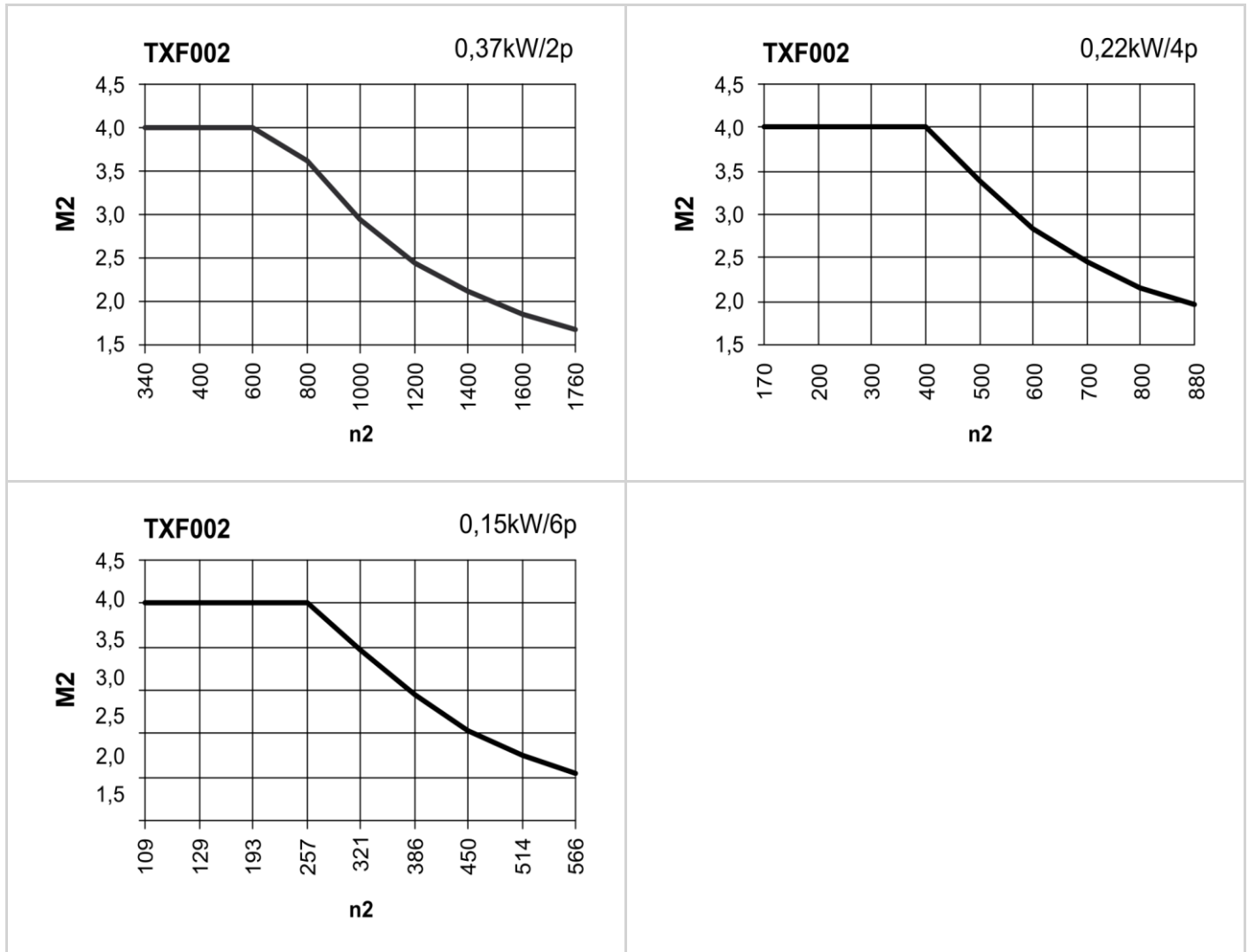
P1 (kW)			n1 1/min	n2 (a) 1/min	n2 (b) 1/min	M2 (a) Nm	M2 (b) Nm	Fr2 (a) N	Fr2 (b) N
0,15	TXF002	63C6	900	566	109	2,1	4	320	550
0,22	TXF002	63C4	1400	880	170	2	4	270	480
0,25	TXF005	71A4	1400	1000	170	2	6	580	1050
0,25	TXF005	71B6	900	643	109	3	6	670	1050
0,37	TXF002	63C2	2800	1760	340	1,7	4	220	380
0,37	TXF005	71B4	1400	1000	170	3	6	580	1050
0,55	TXF005	71B2	2800	2000	340	2,2	6	460	800
0,55	TXF005	71C4	1400	1000	170	4,4	6	580	1050
0,55	TXF005	80A4	1400	950	270	4,6	6	590	900
0,55	TXF005	80B6	900	611	174	6	6	680	1050
0,55	TXF010	80A4	1400	1000	170	4,4	12	650	1150
0,55	TXF010	80B6	900	643	109	6,6	12	750	1350
0,75	TXF005	71C2	2800	2000	340	3	6	460	800
0,75	TXF005	80A2	2800	1900	540	3,2	6	480	710
0,75	TXF005	80B4	1400	950	270	6	6	590	900
0,75	TXF010	80B4	1400	1000	170	6	12	650	1150
0,75	TXF010	90S6	900	611	174	9,5	12	760	1140
0,92	TXF010	80C4	1400	1000	170	7,2	12	650	1150
1,1	TXF005	80B2	2800	1900	540	4,7	6	480	710
1,1	TXF010	80B2	2800	2000	340	4,4	12	510	930
1,1	TXF010	90S4	1400	950	270	9,1	12	660	900
1,5	TXF005	80C2	2800	1900	540	6	6	480	710
1,5	TXF010	80C2	2800	2000	340	6	12	510	930
1,5	TXF010	90S2	2800	1900	540	6,3	12	520	790
1,5	TXF010	90L4	1400	950	270	12	12	660	900
2,2	TXF010	90L2	2800	1900	540	9,3	12	480	710

(a) Values relating to maximum speed

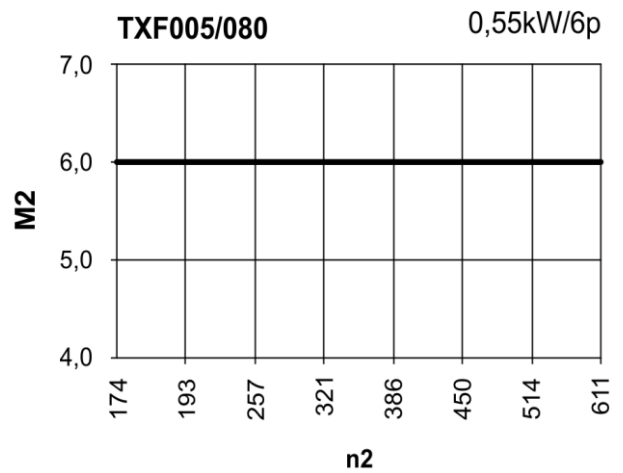
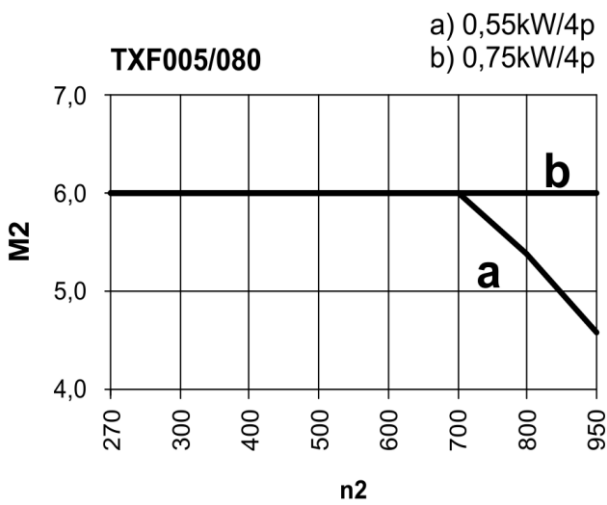
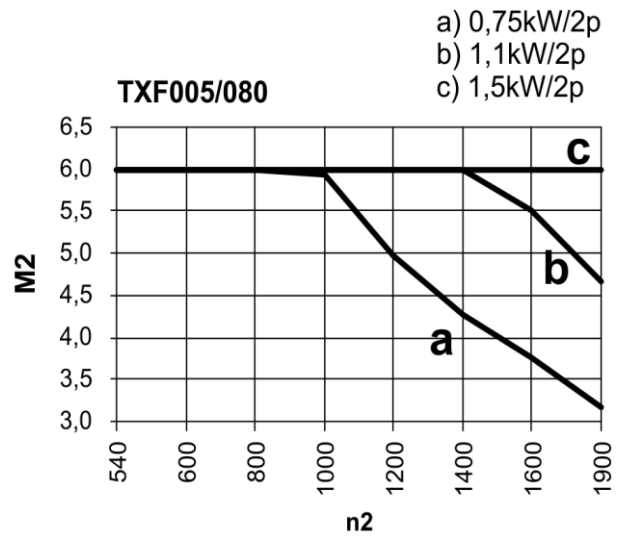
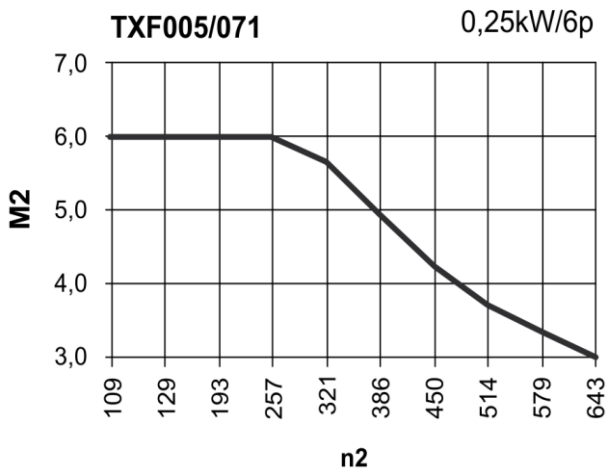
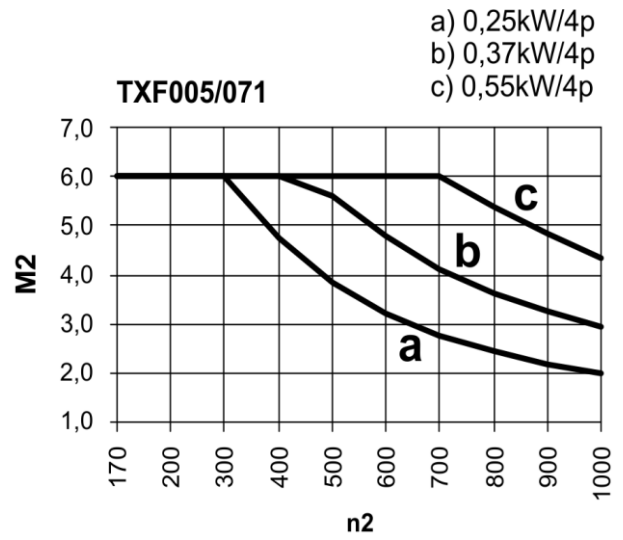
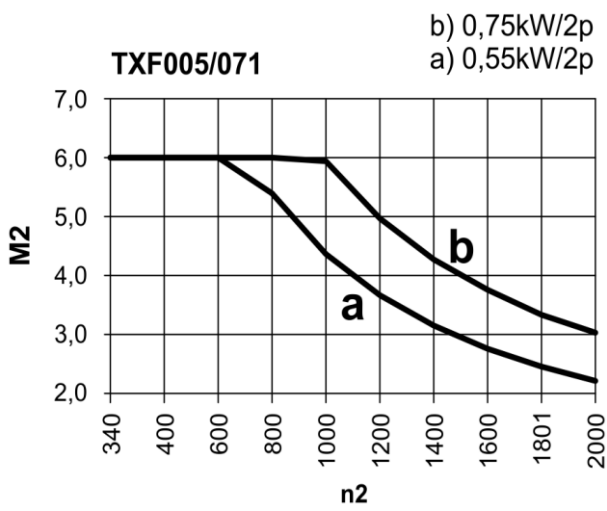
(b) Values relating to minimum speed

7.1 TXF - PERFORMANCE

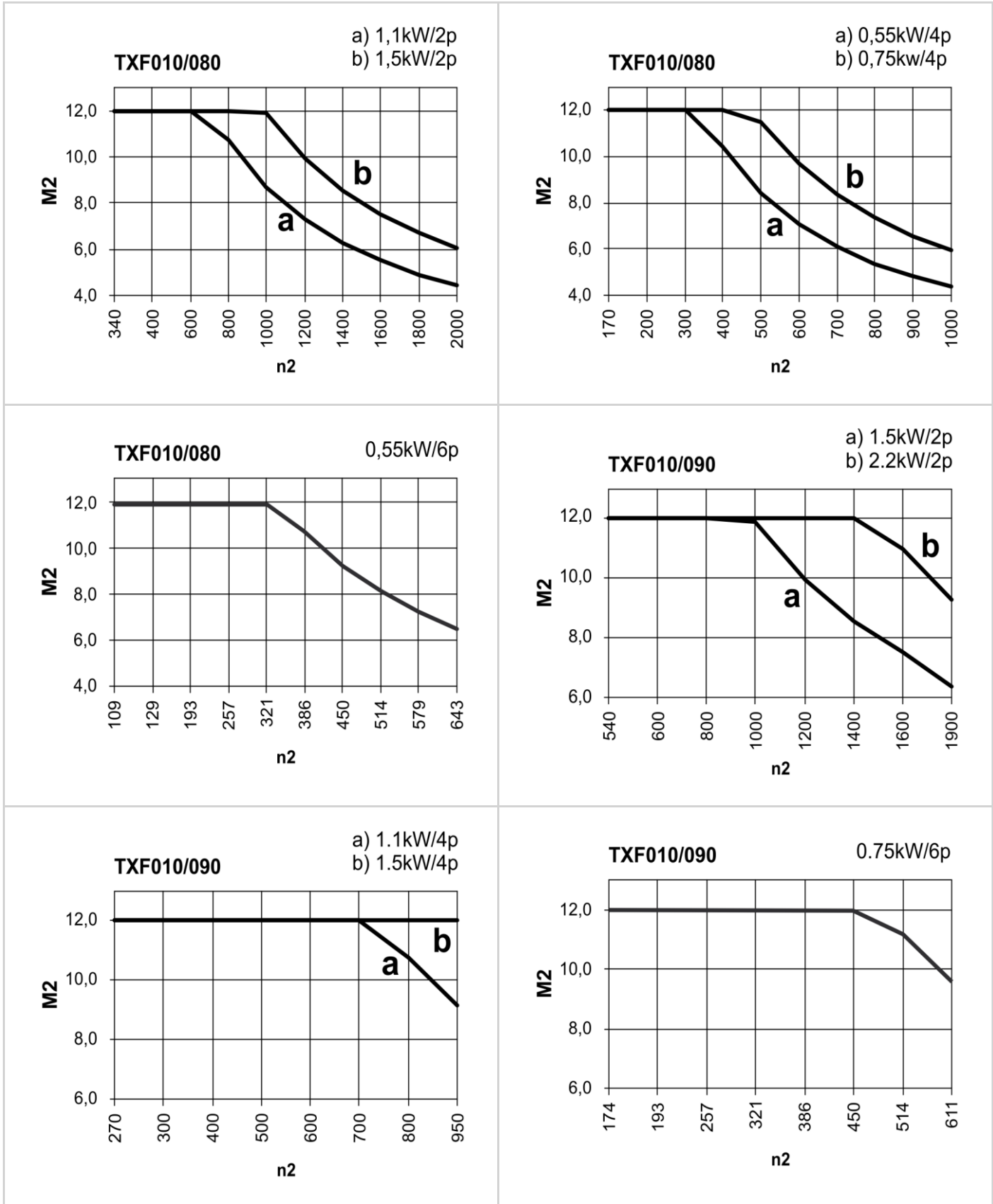
7.1.2 TXF - Performance curves



7.1 TXF - PERFORMANCE



7.1 TXF - PERFORMANCE



7.2 S - PERFORMANCE

7.2.1 S

P1 (kW)			n1 1/min	n2 (a) 1/min	n2 (b) 1/min	M2 (a) Nm	M2 (b) Nm	Fr2 (a) N	Fr2 (b) N
0,15	S003	63C6	900	620	125	2,1	4	500	700
0,22	S003	63C4	1400	950	190	2	4	440	760
0,25	S005	71A4	1400	950	190	2	6	802	1120
0,25	S005	71B6	900	610	122	3	6	930	1120
0,37	S003	63C2	2800	1900	380	1,7	4	340	670
0,37	S005	71B4	1400	950	190	3	6	810	1120
0,55	S005	71B2	2800	1900	380	2,2	6	640	1120
0,55	S005	71C4	1400	950	190	4,4	6	720	1120
0,55	S010	80A4	1400	950	190	4,4	12	930	1910
0,55	S010	80B6	900	610	122	6,6	12	1080	1910
0,75	S005	71C2	2800	1900	380	3	6	640	1120
0,75	S010	80B4	1400	950	190	6	12	940	1640
0,92	S010	80C4	1400	950	190	7,5	12	870	1640
1,10	S010	80B2	2800	1900	380	4,4	12	740	1300
1,10	S020	90S4	1400	1000	190	9	24	1130	1960
1,10	S020	90L6	900	660	122	13,5	24	1300	2290
1,50	S010	80C2	2800	1900	380	6	12	740	1300
1,50	S020	90S2	2800	2000	380	6	24	890	1560
1,50	S020	90L4	1400	1000	190	12	24	1130	1960
1,50	S030	100LA6	900	660	122	18	48	2570	4540
1,84	S020	90LL4	1400	1000	190	15	24	1050	1960
2,20	S020	90L2	2800	2000	380	9	24	890	1560
2,20	S030	100LA4	1400	1000	190	18	48	2240	3890
2,20	S050	112M6	900	660	122	27	64	2570	4540
3,00	S030	100LB4	1400	1000	190	24	48	2240	3890
4,00	S050	112M4	1400	1000	190	32	64	2240	3890
4,80	S050	112MS4	1400	1000	190	40	64	2010	3890
5,50	S100	132S4	1400	1000	190	44	144	2900	5050
5,50	S100	132M6	900	660	122	66	144	3330	5890
7,50	S100	132L4	1400	1000	190	60	144	2900	5050
9,20	S100	132M4	1400	1000	190	74	144	2900	5050

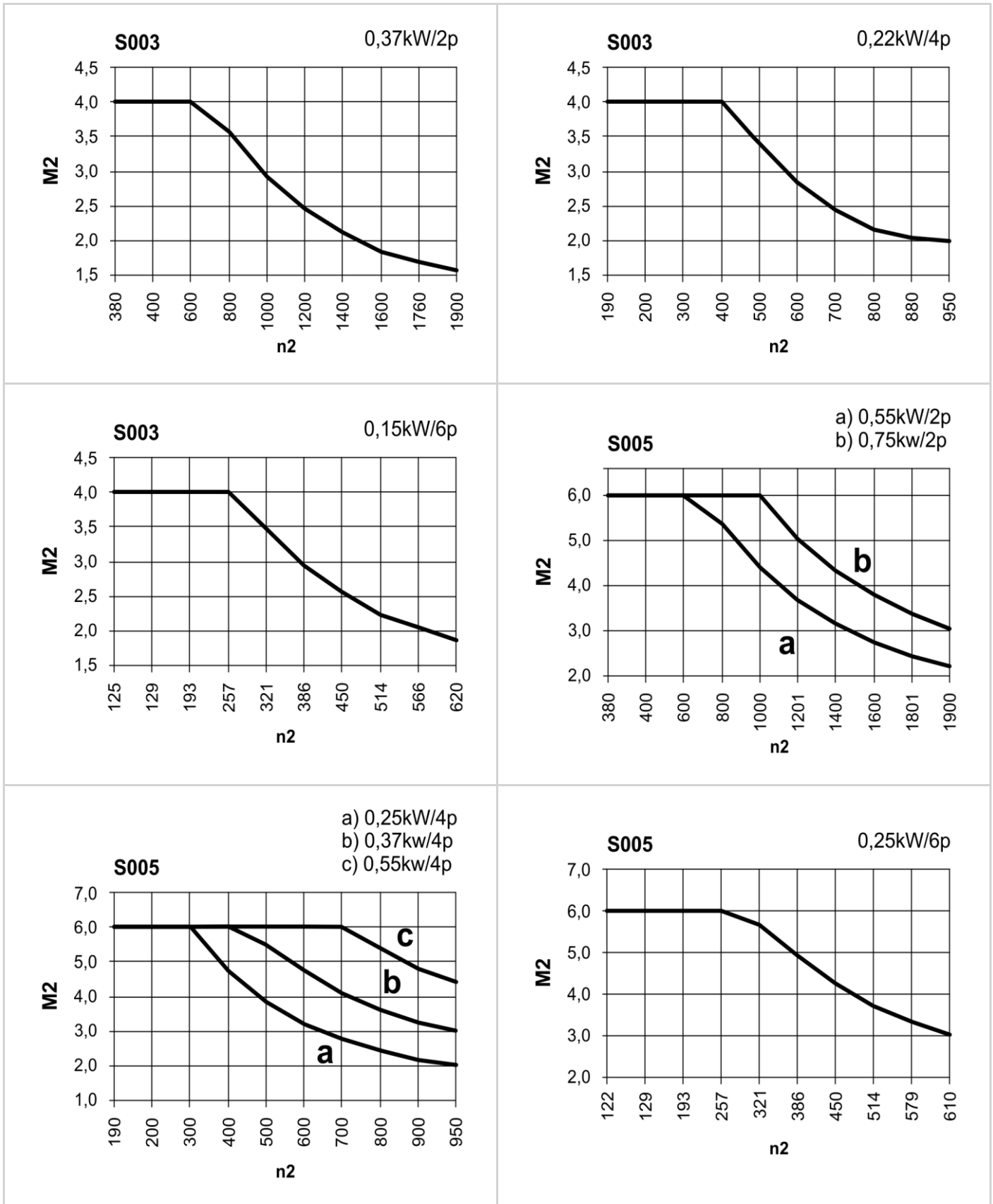
(a) Values relating to maximum speed

(b) Values relating to minimum speed

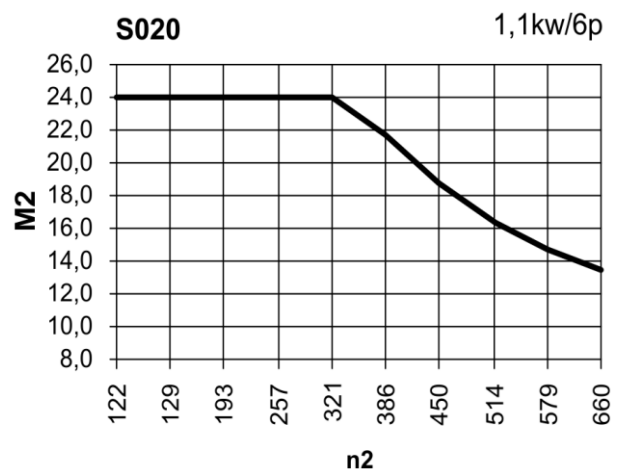
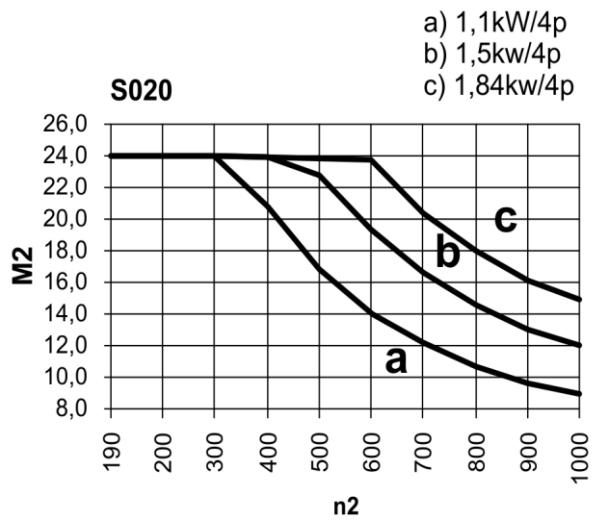
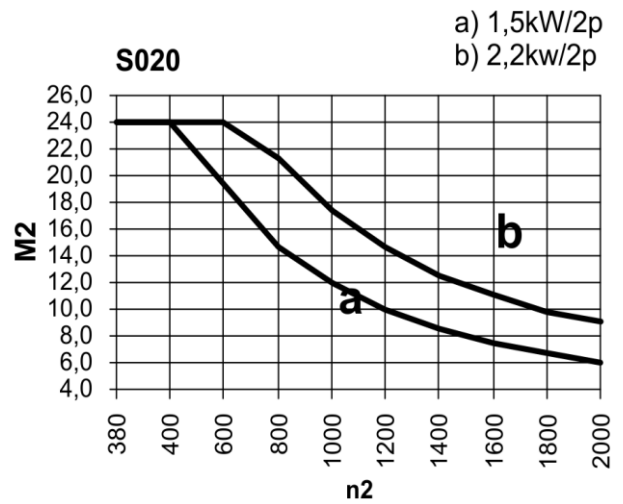
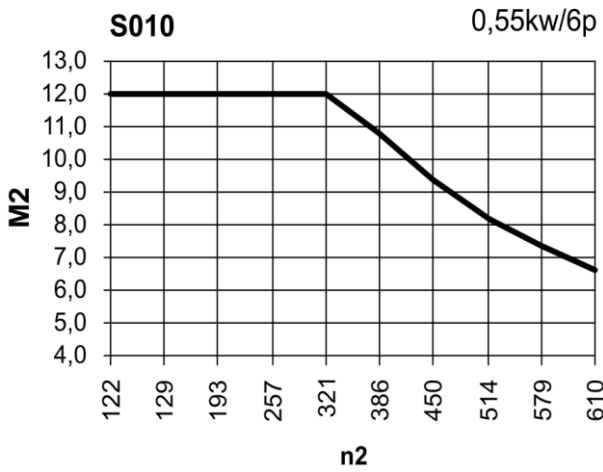
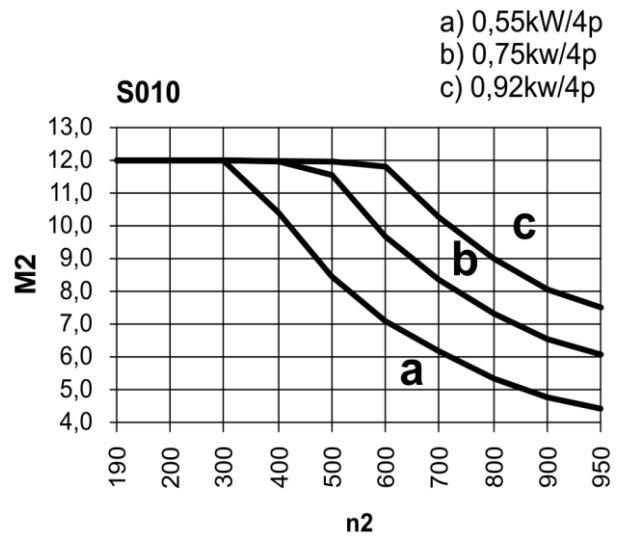
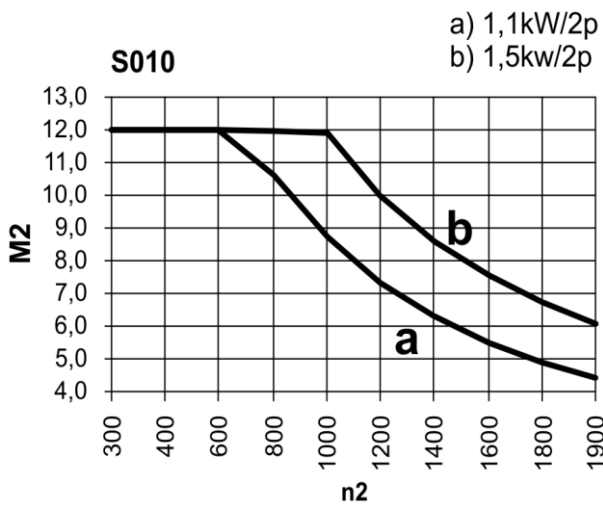
7.2.2 S.D

	n2 max 1/min	n2 min 1/min	M2 max Nm
SD005	610	0	6
SD005	950	0	6
SD005	1900	0	6
SD005	950	0	6
SD010	610	0	12
SD005	1900	0	6
SD010	950	0	12
SD010	950	0	12
SD010	1900	0	12
SD020	1000	0	24
SD020	660	0	24
SD010	1900	0	12
SD020	2000	0	24
SD020	1000	0	24
SD030	660	0	48
SD020	1000	0	24
SD020	2000	0	24
SD030	1000	0	48
SD050	660	0	64
SD030	1000	0	48
SD050	1000	0	64
SD050	1000	0	64
SD100	1000	0	144
SD100	660	0	144
SD100	1000	0	144
SD100	1000	0	144

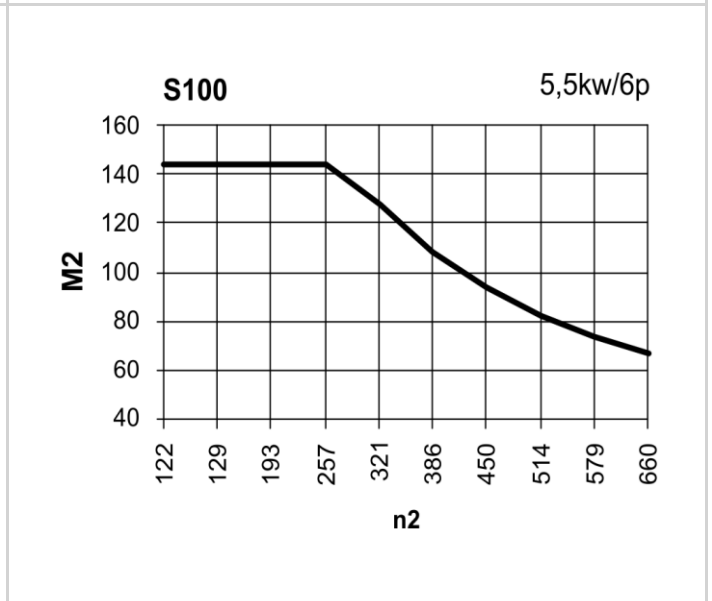
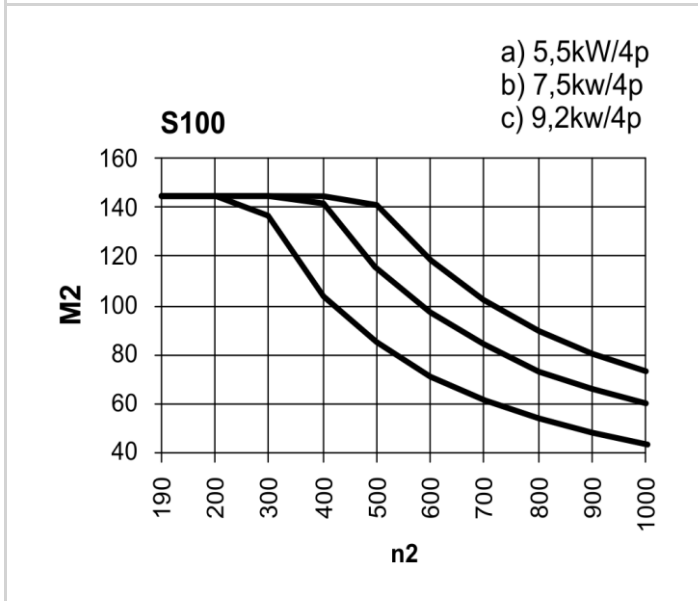
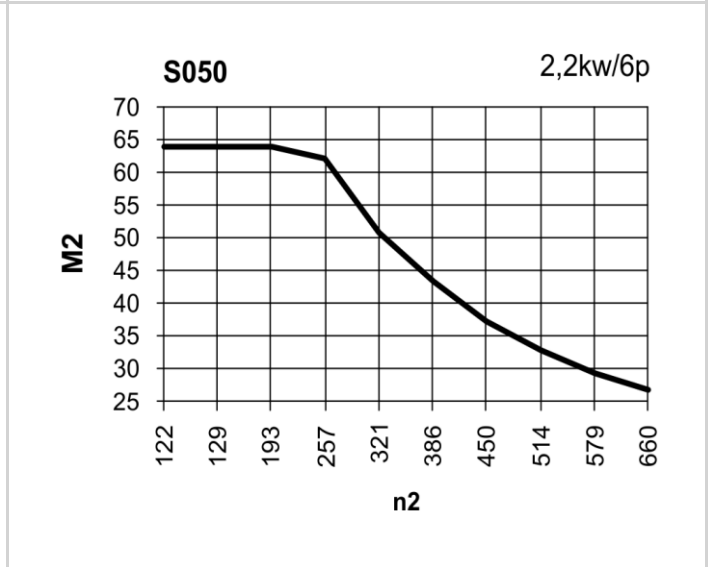
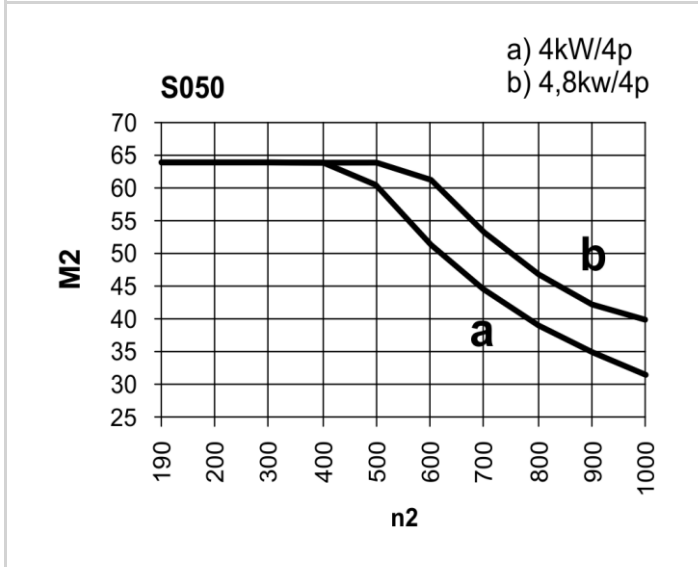
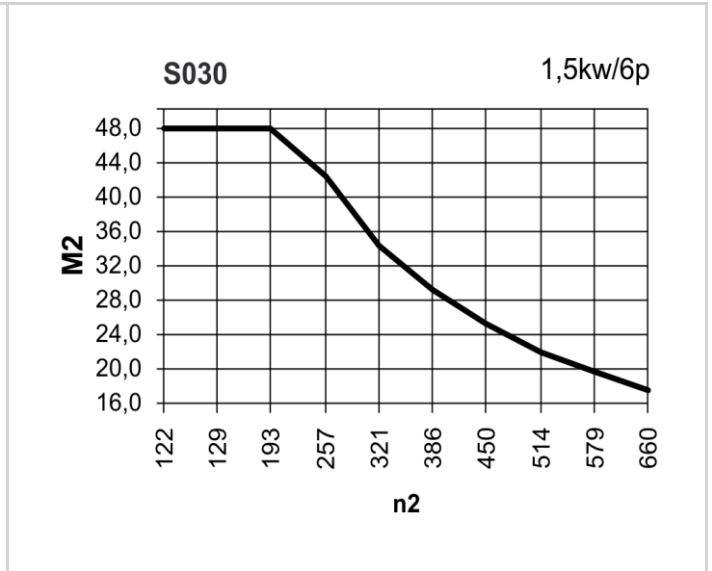
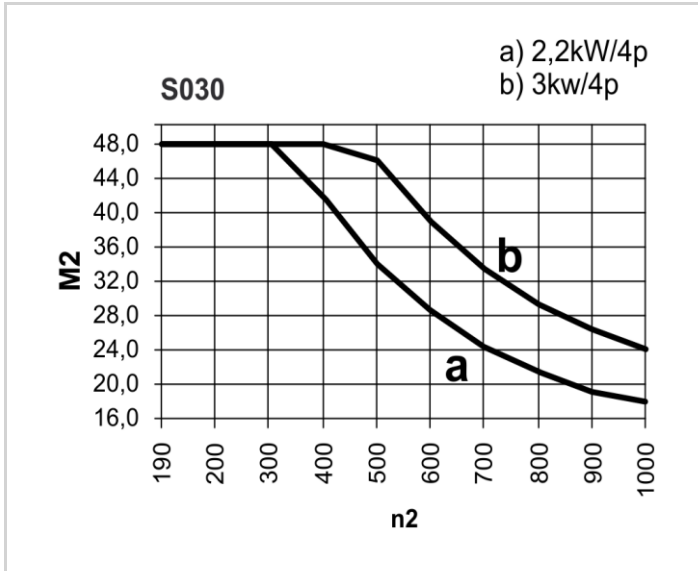
7.2.3 S - Performance curves



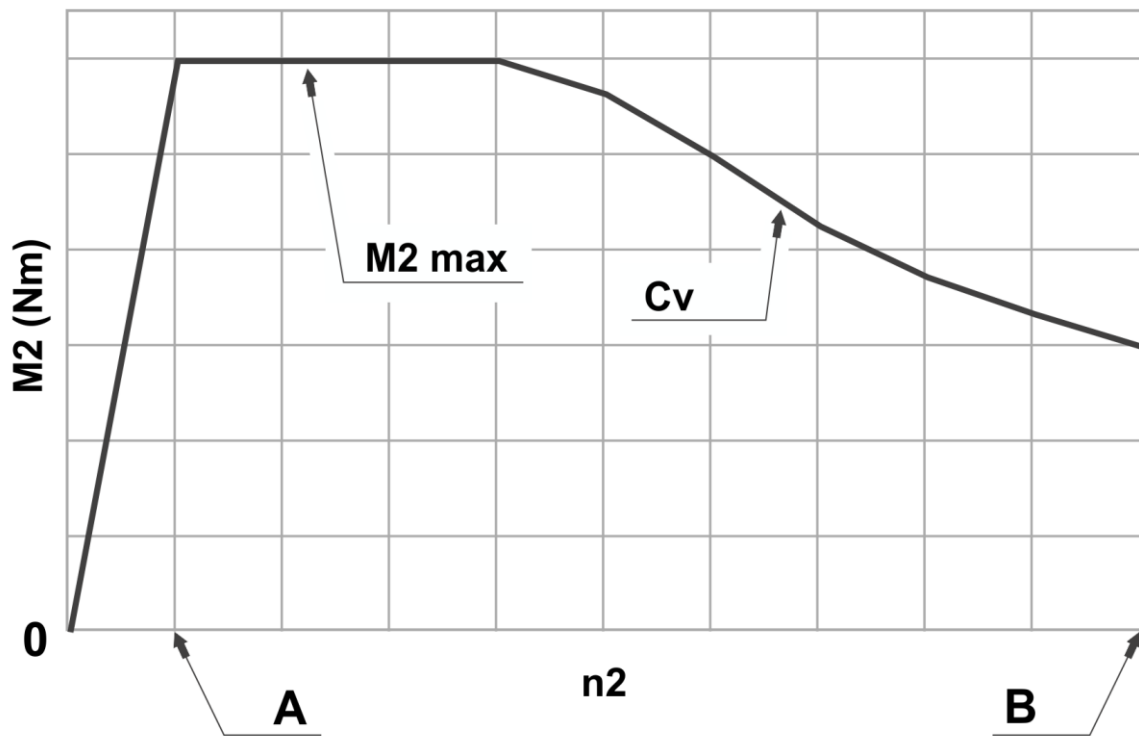
7.2 S - PERFORMANCE



7.2 S - PERFORMANCE



7.2.4 S.D - Torque curve with differential device



“ C_v ” torque curve of the motovariator with differential device, from “ $n(b)$ ” to “ $n(a)$ ”, corresponds to the same motovariator without differential device. Close to point “ $n(b)$ ”, torque curve of motovariator with differential goes down to 0, in this area the performance could be irregular and cause slipping problems to satellite. Therefore it is necessary to accurately verify application torque.

MOTOVARIATOR-GEAR REDUCERS

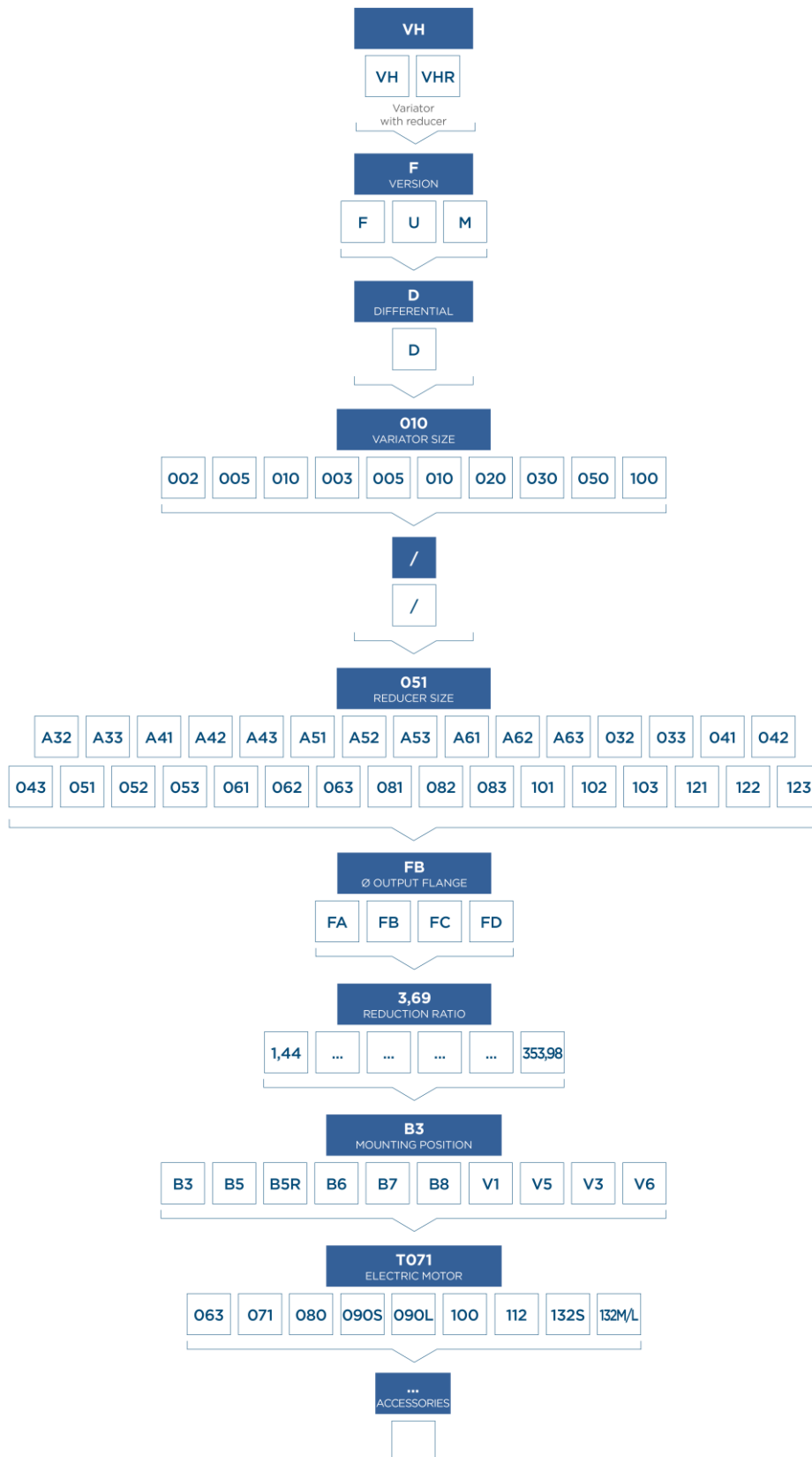


VH



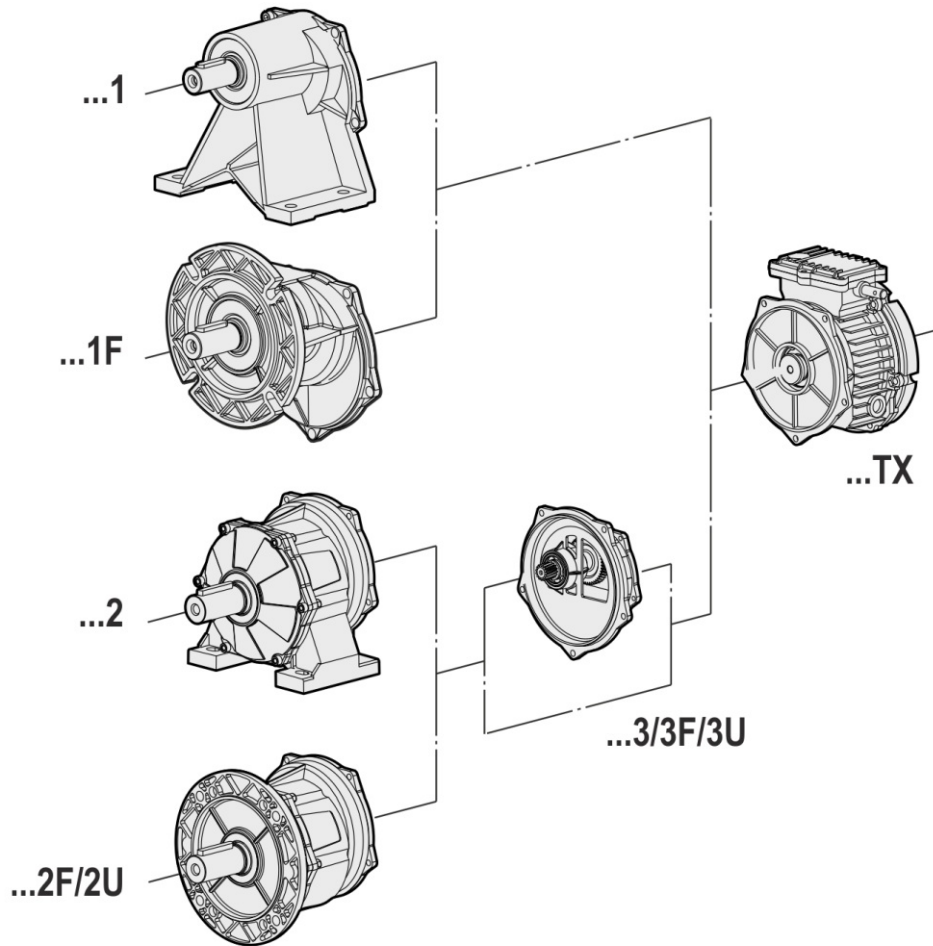
VHA

9.1.1 Designation



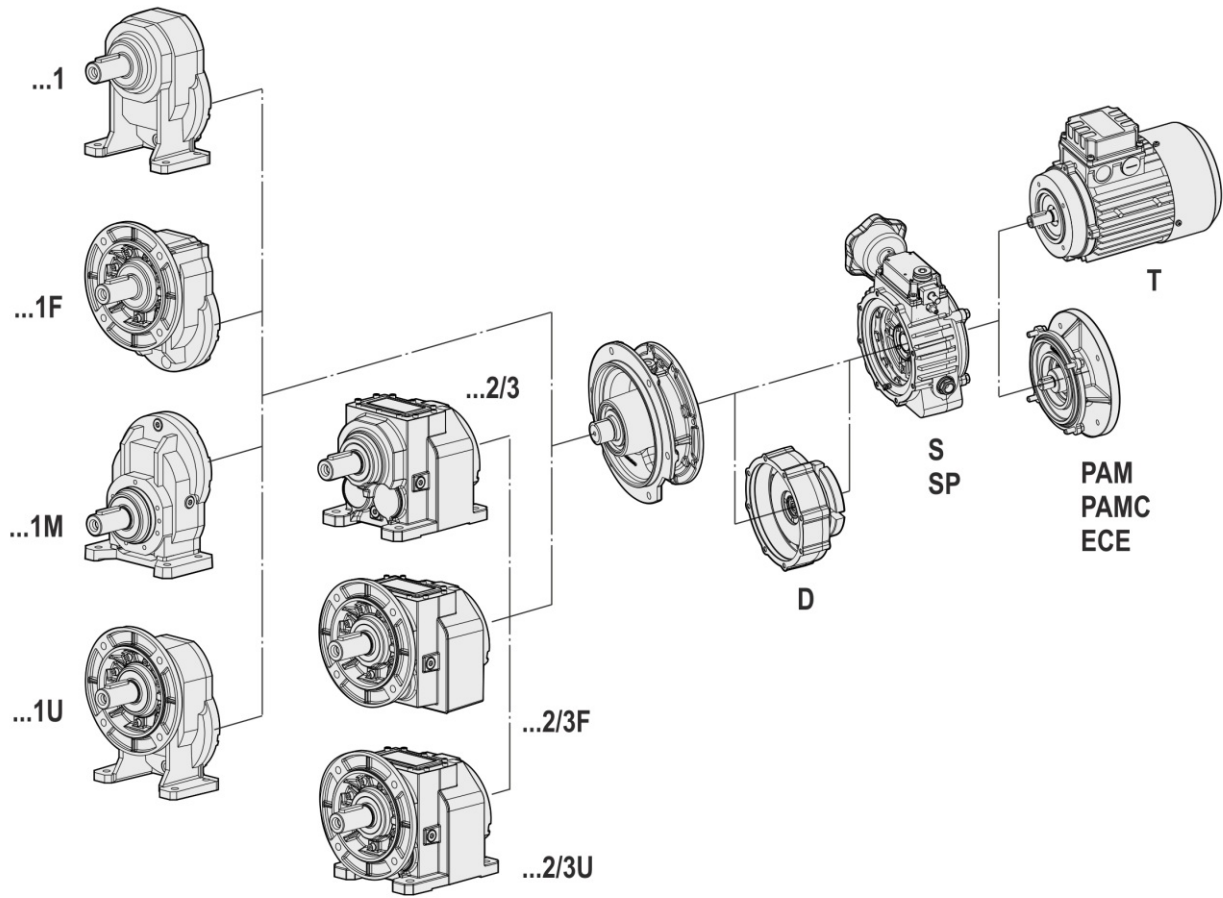
9.1.2 Versions

VHA - Reducers with casing in aluminium alloy.



9.1 TYPOLOGY

VH - Reducers with casing in grey cast iron.



9.2.1 Mounting positions

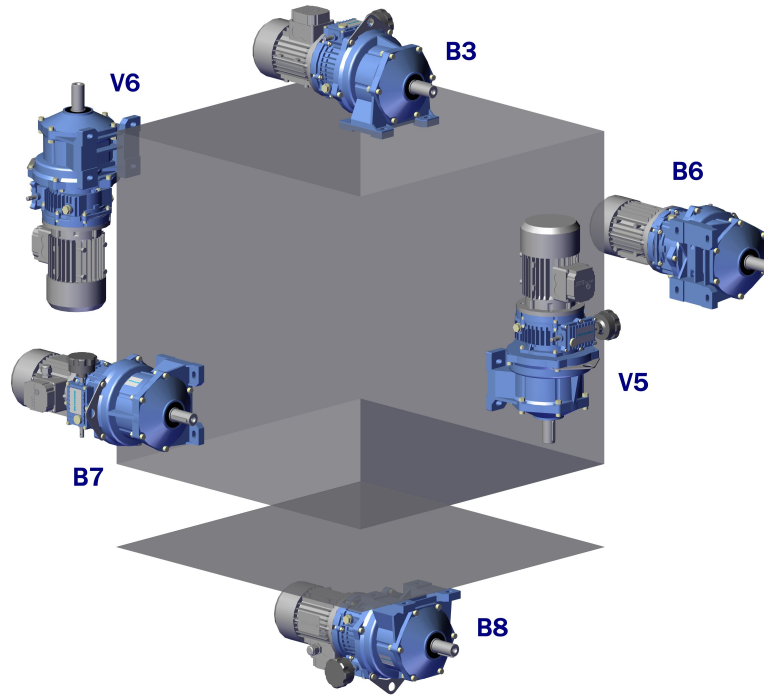
The mounting position of the variator unit identifies its space orientation. B3/B5 mounting position, as from a technical point of view, ensures lower oil splash, better lubrication and less heating.

In the geared motorvariators of VH.../A and VHF.../A serie in all mounting positions, the variator takes the same position of the gearbox (same as B3 mounting position).

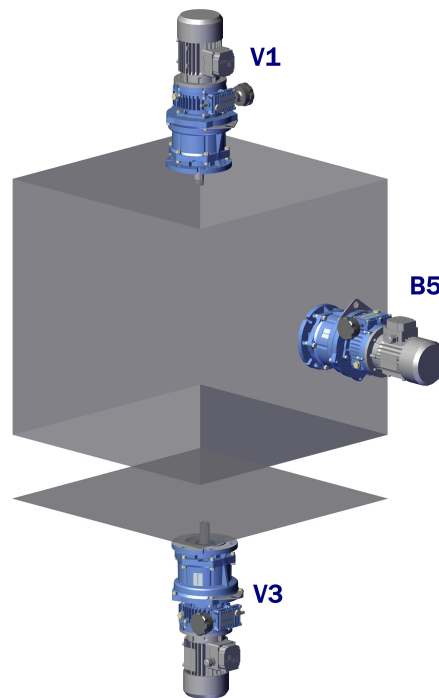
For geared motorvariator of VH005/042-3 series, mounting position B8 is not available.

9.2 MOUNTING POSITIONS

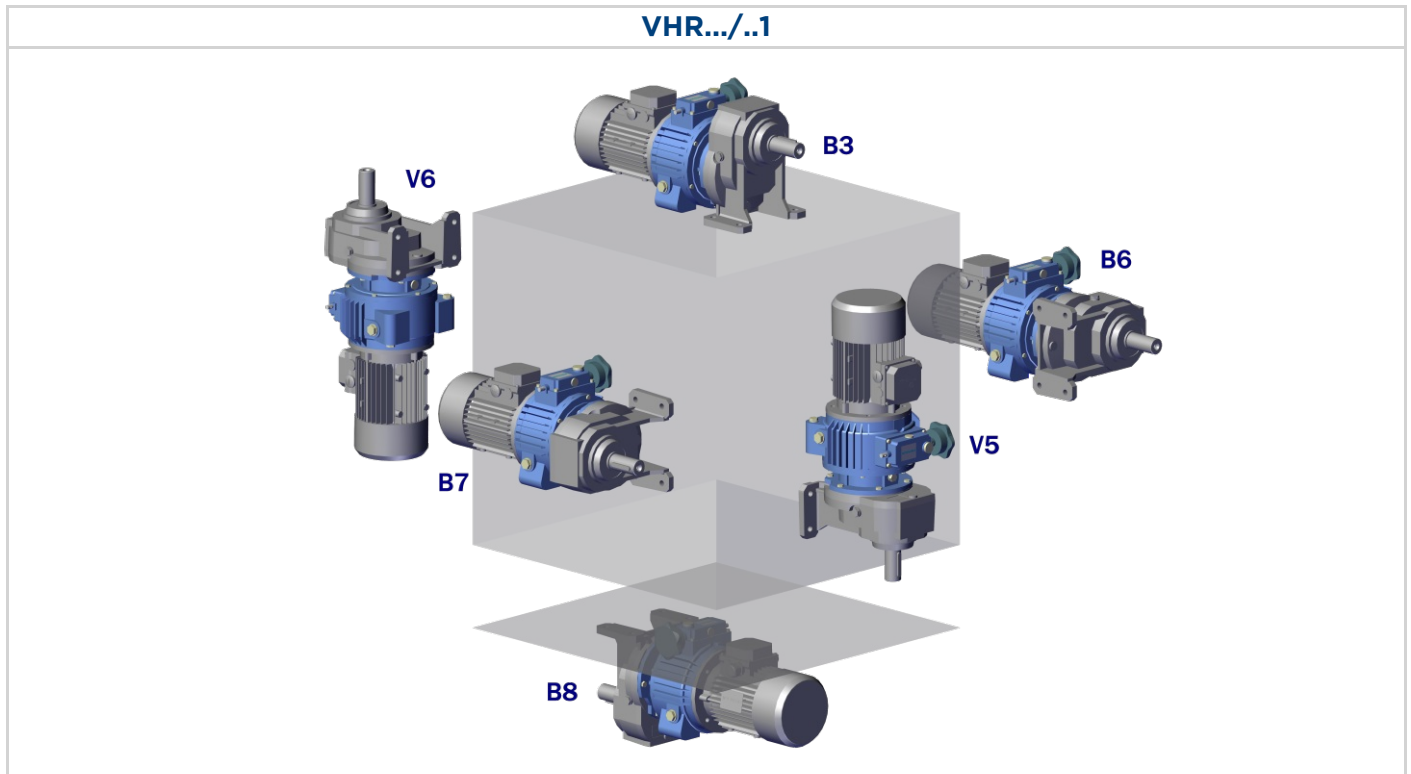
VH.../A.1-2-3



VHF.../A.1-2-3

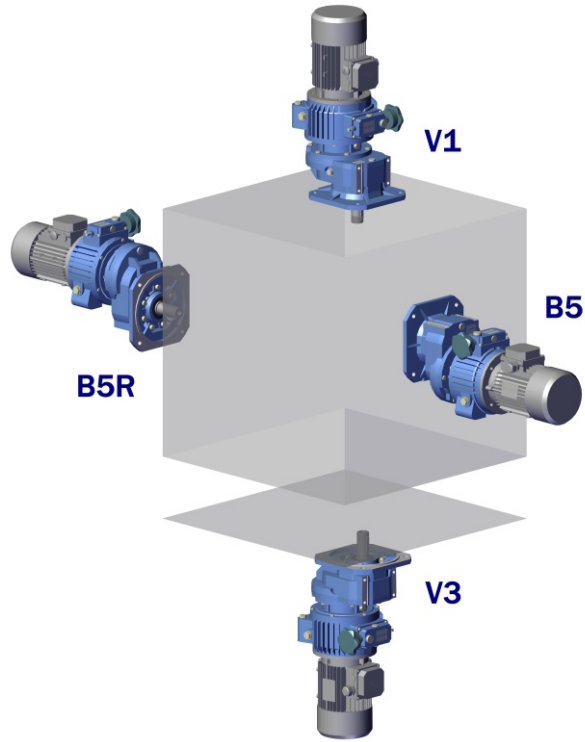


9.2 MOUNTING POSITIONS

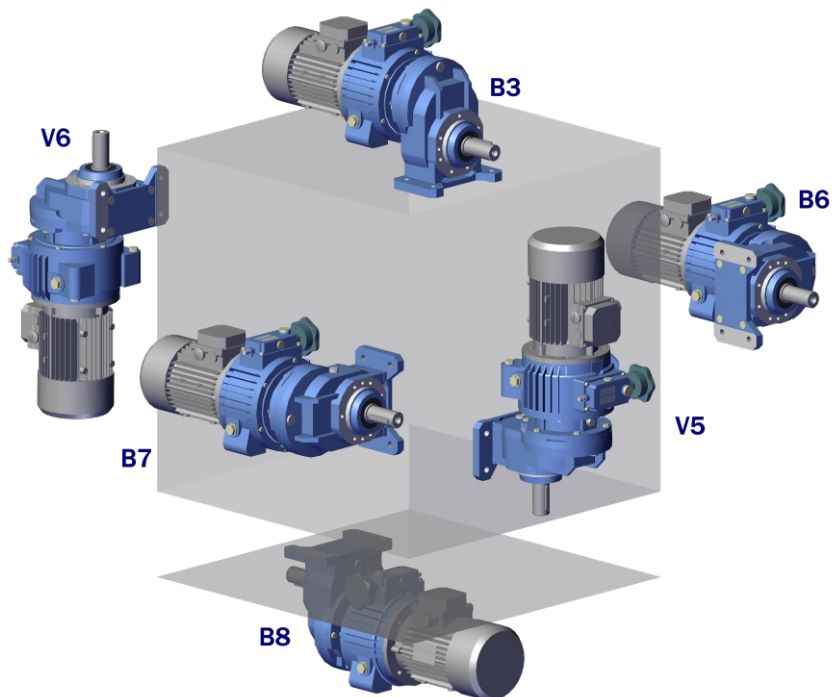


9.2 MOUNTING POSITIONS

VHRF.../.1

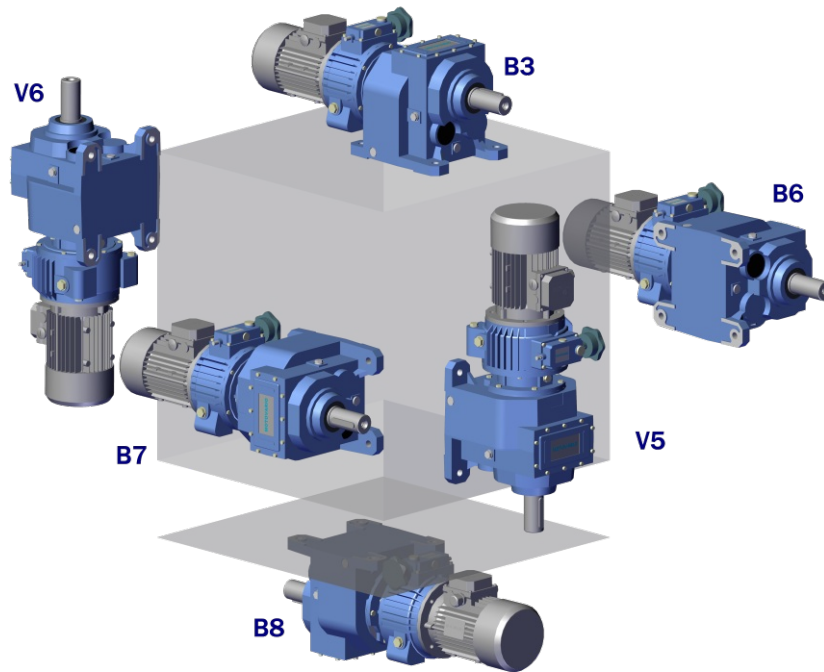


VHRM.../.1

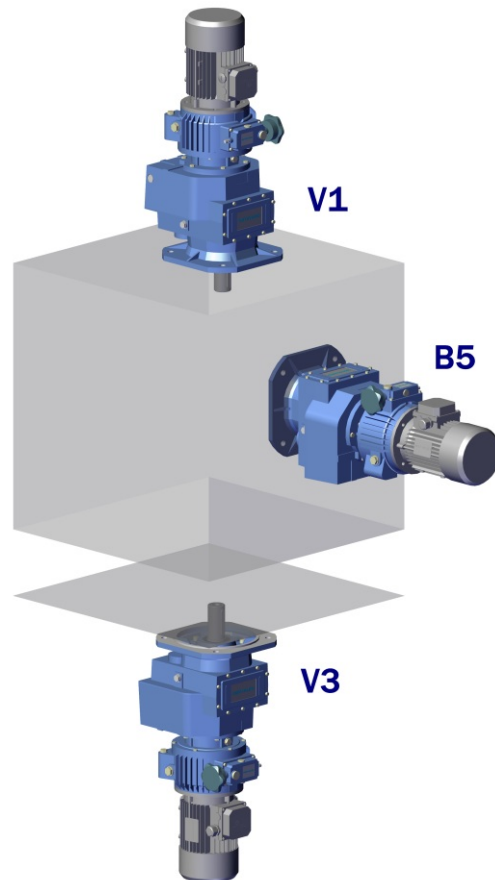


9.2 MOUNTING POSITIONS

VH.../..2-3



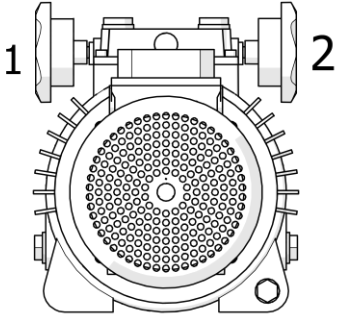
VHF.../..2-3



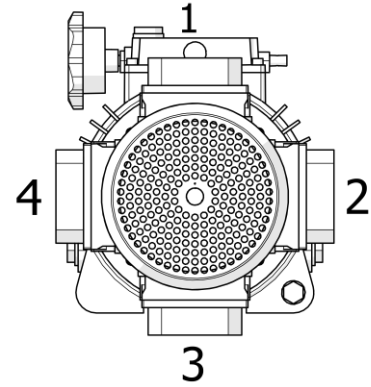
9.2.2 Position of terminal box

In the case of specific requirements, when ordering, specify the position of the terminal box as shown in the diagram. Unless otherwise specified, the gear reducer is supplied with terminal box in position 1.

Control handwheel



Position of terminal box



9.3.1 VH.../A..

H	i	TX...			
		002/063	005/071	005/080	010/080 010/090
A41	1,45-7,88	✓	-	-	-
A51	1,45-7,88	-	✓	-	-
A61	1,33-7,75	-	-	-	✓
A32	5,38-30,55	✓	✓	-	-
	35,44-60,67	✓	-	-	-
A33	51,32-166,61	✓	-	-	-
	193,30-347,29	✓	-	-	-
A42	5,38-30,55	✓	✓	-	-
	35,44-60,67	✓	-	-	-
A43	51,32	✓	-	-	-
	59,65-166,61	✓	✓	-	-
	193,30-347,29	✓	-	-	-
A52	5,14-61,87	-	✓	-	✓
A53	49,80-163,05	✓	✓	-	-
	200,27-353,98	✓	-	-	-
A62	5,14-61,87	-	✓	-	✓
A63	49,80-163,05	✓	✓	-	-
	200,27-353,98	✓	-	-	-

✓ Combination possible.

- Combination is not possible.

9.3.2 VH.../...

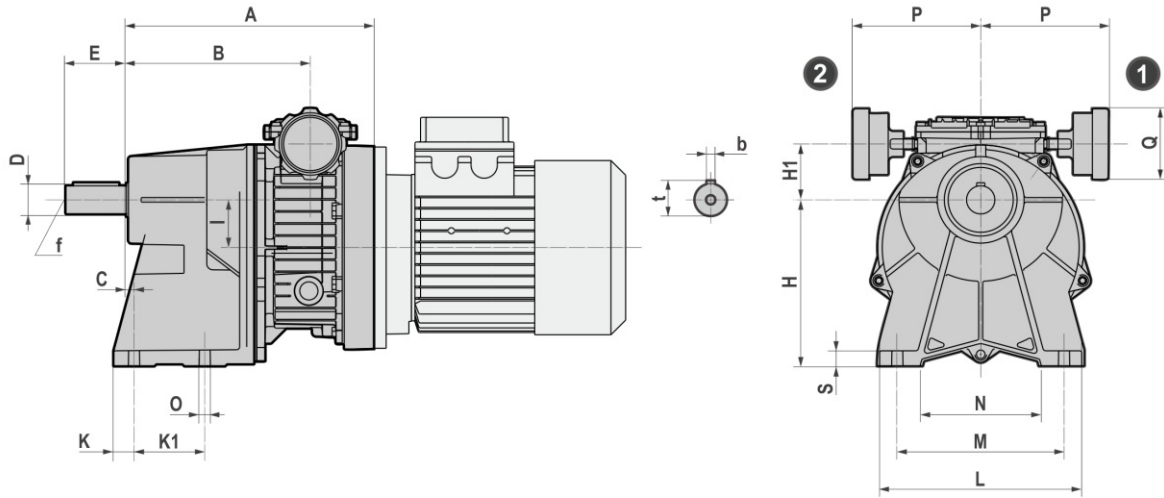
H	i	S						
		003	005	010	020	030	050	100
041	1,44-8,75	✓	✓	-	-	-	-	-
051	1,27-8,37	-	✓	✓	-	-	-	-
061	1,34-8,38	-	-	✓	-	-	-	-
081	1,30-8,44	-	-	-	✓	✓	-	-
101	1,29-8,4	-	-	-	-	✓	✓	✓
121	1,23-7,70	-	-	-	-	✓	✓	✓
032	4,70-47,25	✓	✓	-	-	-	-	-
033	53,59-99,27	✓	✓	-	-	-	-	-
	123,71	-	✓	-	-	-	-	-
	108,5-245,7	✓	-	-	-	-	-	-
042	5,46-54,25	-	✓	✓	-	-	-	-
043	61,83-114,55	✓	✓	-	-	-	-	-
	142,04	-	✓	-	-	-	-	-
	125,69-282,10	✓	-	-	-	-	-	-
052	5,73-56,11	-	✓	✓	-	-	-	-
053	58,81-134,76	-	✓	✓	-	-	-	-
062	5,38-7,39	-	-	-	✓	✓	-	-
	8,50-25,70	-	-	✓	✓	✓	-	-
	29,33	-	-	✓	✓	-	-	-
	32	-	-	✓	✓	✓	-	-
	36,99-46,06	-	-	✓	✓	-	-	-
063	49,45-268	-	-	✓	-	-	-	-
082	5,39-48,13	-	-	-	✓	✓	-	-
083	56,53-222,78	-	-	✓	✓	-	-	-
102	5,26-34,20	-	-	-	-	✓	✓	✓
	38,45	-	-	-	-	✓	✓	-
	41,30-45,82	-	-	-	-	✓	✓	✓
	51,52	-	-	-	-	✓	✓	-
103	55,47-242,59	-	-	-	-	✓	✓	-
122	5,27-44,10	-	-	-	-	✓	✓	✓
123	45,77-118,62	-	-	-	-	✓	✓	✓
	128,18-259,64	-	-	-	-	✓	✓	-

✓ Combination possible.

- Combination is not possible.

10.1 VH.../A..

10.1.1 VH.../A.1

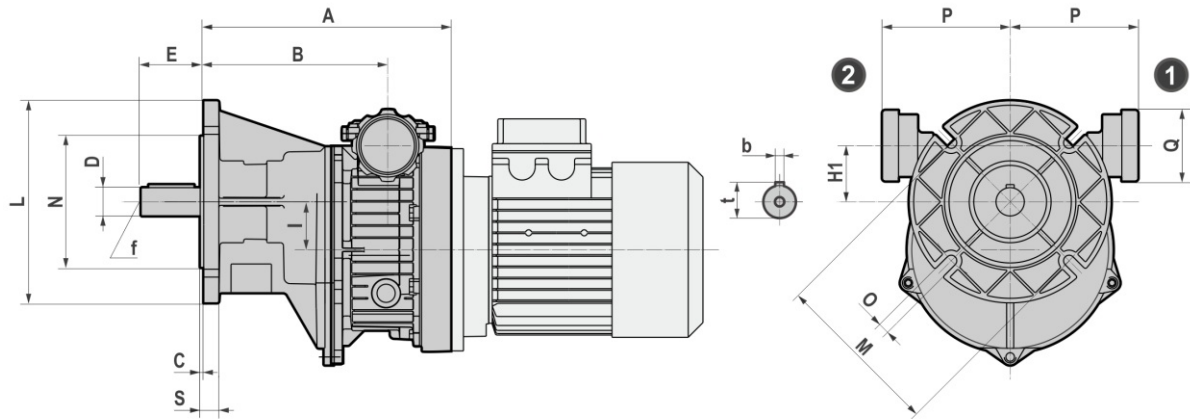


VH.../A.1	A	B	C	D j6	E	H	H1	I	K	K1
002/A41/063	180	137,5	20	19	40	113	37	32	12,5	45
005/A51/071	199	152	6	24	50	130	50	32	15	70
005/A51/080	209	152	6	24	50	130	50	32	15	70
010/A61/080	245	182	7,5	28	60	165	55,5	47,5	20	70
010/A61/090	245	182	7,5	28	60	165	55,5	47,5	20	70

VH.../A.1	L	M	N	O	P	Q	S	b	t	f
002/A41/063	130	105	75	9	116,5	71	12	6	21,5	M6
005/A51/071	180	150	115	11	116,5	71	12	8	27	M8
005/A51/080	180	150	115	11	116,5	71	12	8	27	M8
010/A61/080	200	165	120	11	126,5	71	15	8	31	M8
010/A61/090	200	165	120	11	126,5	71	15	8	31	M8

10.1 VH.../A..

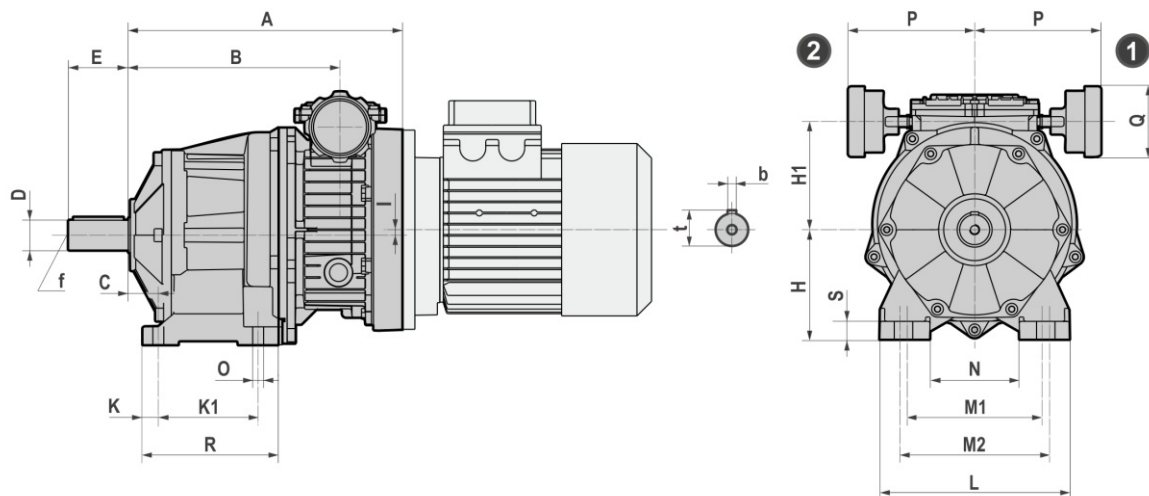
10.1.2 VHF.../A.1



VHF.../A.1	A	B	C	D j6	E	H1	I	L
002/A41/063	180	137,5	3	19	40	37	32	140
005/A51/071	199	152	3,5	24	50	50	32	160
005/A51/080	209	152	3,5	24	50	50	32	160
010/A61/080	245	182	3,5	28	60	55,5	47,5	200
010/A61/090	245	182	3,5	28	60	55,5	47,5	200

VHF.../A.1	M	N	O	P	Q	S	b	t	f
002/A41/063	115	95	9	116,5	71	10	6	21,5	M6
005/A51/071	130	110	9	116,5	71	10	8	27	M8
005/A51/080	130	110	9	116,5	71	10	8	27	M8
010/A61/080	165	130	11	126,5	71	15	8	31	M8
010/A61/090	165	130	11	126,5	71	15	8	31	M8

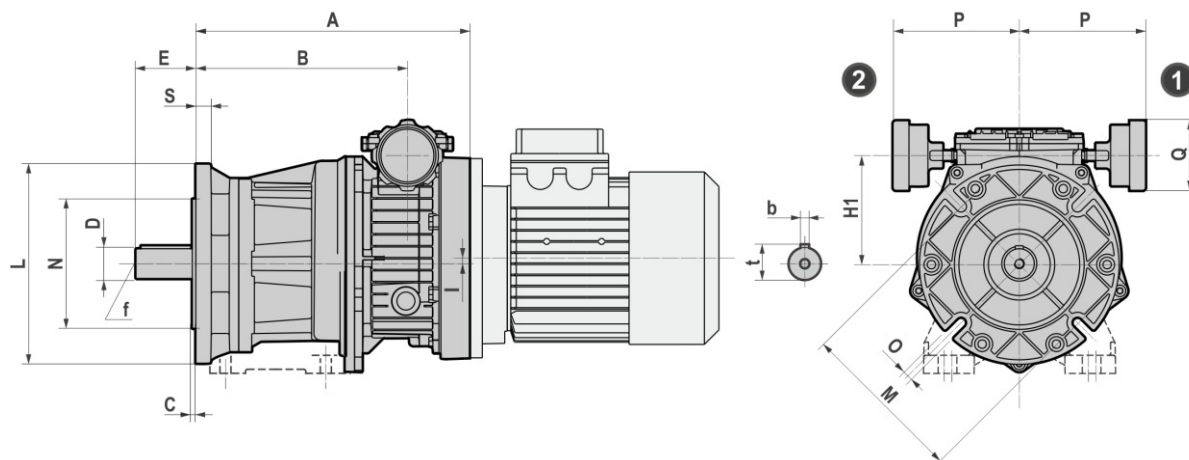
10.1.3 VH.../A.2-3



VH.../A.2-3	A	B	C	D j6	E	H	H1	I	K	K1	L
002/A32/063	202	159,5	18	20 (16) (14)	40 (40) (30)	75	79	10	13	80	145
002/A33/063	255	212,5	18	20 (16) (14)	40 (40) (30)	75	79	10	13	80	145
002/A42/063	209	166,5	25	25 (19)	50 (40)	80	79	10	13	85	145
002/A43/063	262	219,5	25	25 (19)	50 (40)	80	79	10	13	85	145
002/A53/063	302,5	260	30	30 (35) (24)	60 (70) (50)	110	74,5	5,5	15,5	100	190
002/A63/063	311,5	269	35	40 (28)	80 (60)	120	84,5	15,5	20	110	230
005/A32/071	212	165,5	18	20 (16) (14)	40 (40) (30)	75	92	10	13	80	145
005/A42/071	219	172,5	25	25 (19)	50 (40)	80	92	10	13	85	145
005/A43/071	272	225,5	25	25 (19)	50 (40)	80	92	10	13	85	145
005/A52/071	264,5	218	30	30 (35) (24)	60 (70) (50)	110	87,5	5,5	15,5	100	190
005/A53/071	312,5	266	30	30 (35) (24)	60 (70) (50)	110	87,5	5,5	15,5	100	190
005/A62/071	273,5	227	35	40 (28)	80 (60)	120	97,5	15,5	20	110	230
005/A63/071	321,5	275	35	40 (28)	80 (60)	120	97,5	15,5	20	110	230
005/A32/080	223	165,5	18	20 (16) (14)	40 (40) (30)	75	92	10	13	80	145
005/A42/080	230	172,5	25	25 (19)	50 (40)	80	92	10	13	85	145
005/A43/080	283	225,5	25	25 (19)	50 (40)	80	92	10	13	85	145
005/A52/080	275,5	218	30	30 (35) (24)	60 (70) (50)	110	87,5	5,5	15,5	100	190
005/A53/080	323,5	266	30	30 (35) (24)	60 (70) (50)	110	87,5	5,5	15,5	100	190
005/A62/080	284,5	227	35	40 (28)	80 (60)	120	97,5	15,5	20	110	230
005/A63/080	332,5	275	35	40 (28)	80 (60)	120	97,5	15,5	20	110	230
010/A52/080-090	275	212	30	30 (35) (24)	60 (70) (50)	110	108,5	5,5	15,5	100	190
010/A62/080-090	284	221	35	40 (28)	80 (60)	120	118,5	15,5	20	110	230

VH.../A.2-3	M1	M2	N	O	P	Q	R	S	b	t	f
002/A32/063	110	120	75	9	116,5	71	111	15	6 (5) (5)	22,5 (18) (16)	M6
002/A33/063	110	120	75	9	116,5	71	111	15	6 (5) (5)	22,5 (18) (16)	M6
002/A42/063	110	120	75	9	116,5	71	111	15	8 (6)	28 (21,5)	M10 (M6)
002/A43/063	110	120	75	9	116,5	71	111	15	8 (6)	28 (21,5)	M10 (M6)
002/A53/063	135	150	90	11	116,5	71	140	18	8 (10) (8)	33 (38) (27)	M10 (M12) (M8)
002/A63/063	170	185	120	14	116,5	71	150	20	12 (8)	43 (31)	M16 (M10)
005/A32/071	110	120	75	9	116,5	71	111	15	6 (5) (5)	22,5 (18) (16)	M6
005/A42/071	110	120	75	9	116,5	71	111	15	8 (6)	28 (21,5)	M10 (M6)
005/A43/071	110	120	75	9	116,5	71	111	15	8 (6)	28 (21,5)	M10 (M6)
005/A52/071	135	150	90	11	116,5	71	140	18	8 (10) (8)	33 (38) (27)	M10 (M12) (M8)
005/A53/071	135	150	90	11	116,5	71	140	18	8 (10) (8)	33 (38) (27)	M10 (M12) (M8)
005/A62/071	170	185	120	14	116,5	71	150	20	12 (8)	43 (31)	M16 (M10)
005/A63/071	170	185	120	14	116,5	71	150	20	12 (8)	43 (31)	M16 (M10)
005/A32/080	110	120	75	9	116,5	71	111	15	6 (5) (5)	22,5 (18) (16)	M6
005/A42/080	110	120	75	9	116,5	71	111	15	8 (6)	28 (21,5)	M10 (M6)
005/A43/080	110	120	75	9	116,5	71	111	15	8 (6)	28 (21,5)	M10 (M6)
005/A52/080	135	150	90	11	116,5	71	140	18	8 (10) (8)	33 (38) (27)	M10 (M12) (M8)
005/A53/080	135	150	90	11	116,5	71	140	18	8 (10) (8)	33 (38) (27)	M10 (M12) (M8)
005/A62/080	170	185	120	14	116,5	71	150	20	12 (8)	43 (31)	M16 (M10)
005/A63/080	170	185	120	14	116,5	71	150	20	12 (8)	43 (31)	M16 (M10)
010/A52/080-090	135	150	90	11	126,5	71	140	18	8 (10) (8)	33 (38) (27)	M10 (M12) (M8)
010/A62/080-090	170	185	120	14	126,5	71	150	20	12 (8)	43 (31)	M16 (M10)

10.1.4 VHF.../A.2-3 - VHU.../A.2-3



VHF.../A.2-3	A	B	C	D j6	E	H1	I	L	M
002/A32/063	202	159,5	3	20 (16) (14)	40 (40) (30)	79	10	140 (120)	115 (100)
002/A33/063	255	212,5	3	20 (16) (14)	40 (40) (30)	79	10	140 (120)	115 (100)
002/A42/063	209	166,5	3,5	25 (19)	50 (40)	79	10	160 (140)	130 (115)
002/A43/063	262	219,5	3,5	25 (19)	50 (40)	79	10	160 (140)	130 (115)
002/A53/063	302,5	260	3,5	30 (35) (24)	60 (70) (50)	74,5	5,5	200 (160)	165 (130)
002/A63/063	311,5	269	4	40 (28)	80 (60)	84,5	15,5	250 (200)	215 (165)
005/A32/071	212	165,5	3	20 (16) (14)	40 (40) (30)	92	10	140 (120)	115 (100)
005/A42/071	219	172,5	3,5	25 (19)	50 (40)	92	10	160 (140)	130 (115)
005/A43/071	272	225,5	3,5	25 (19)	50 (40)	92	10	160 (140)	130 (115)
005/A52/071	264,5	218	3,5	30 (35) (24)	60 (70) (50)	87,5	5,5	200 (160)	165 (130)
005/A53/071	312,5	266	3,5	30 (35) (24)	60 (70) (50)	87,5	5,5	200 (160)	165 (130)
005/A62/071	273,5	227	3,5	40 (28)	80 (60)	97,5	15,5	250 (200)	215 (165)
005/A63/071	321,5	275	3,5	40 (28)	80 (60)	97,5	15,5	250 (200)	215 (165)
005/A32/080	223	165,5	3	20 (16) (14)	40 (40) (30)	92	10	140 (120)	115 (100)
005/A42/080	230	172,5	3,5	25 (19)	50 (40)	92	10	160 (140)	130 (115)
005/A43/080	283	225,5	3,5	25 (19)	50 (40)	92	10	160 (140)	130 (115)
005/A52/080	275,5	218	3,5	30 (35) (24)	60 (70) (50)	87,5	5,5	200 (160)	165 (130)
005/A53/080	323,5	266	3,5	30 (35) (24)	60 (70) (50)	87,5	5,5	200 (160)	165 (130)
005/A62/080	284,5	227	4	40 (28)	80 (60)	97,5	15,5	250 (200)	215 (165)
005/A63/080	332,5	275	4	40 (28)	80 (60)	97,5	15,5	250 (200)	215 (165)
010/A52/080-090	275	212	3,5	30 (35) (24)	60 (70) (50)	108,5	5,5	200 (160)	165 (130)
010/A62/080-090	284	221	4	40 (28)	80 (60)	118,5	15,5	250 (200)	215 (165)

VHF.../A.2-3	N	O	P	Q	S	b	t	f
002/A32/063	95 (80)	9 (9)	116,5	71	10	6 (5) (5)	22,5 (18) (16)	M6
002/A33/063	95 (80)	9 (9)	116,5	71	10	6 (5) (5)	22,5 (18) (16)	M6
002/A42/063	110 (95)	9 (9)	116,5	71	10	8 (6)	28 (21,5)	M10 (M6)
002/A43/063	110 (95)	9 (9)	116,5	71	10	8 (6)	28 (21,5)	M10 (M6)
002/A53/063	130 (110)	11 (11)	116,5	71	15	8 (10) (8)	33 (38) (27)	M10 (M12) (M8)
002/A63/063	180 (130)	14 (14)	116,5	71	15	12 (8)	43 (31)	M16 (M10)
005/A32/071	95 (80)	9 (9)	116,5	71	10	6 (5) (5)	22,5 (18) (16)	M6
005/A42/071	110 (95)	9 (9)	116,5	71	10	8 (6)	28 (21,5)	M10 (M6)
005/A43/071	110 (95)	9 (9)	116,5	71	10	8 (6)	28 (21,5)	M10 (M6)
005/A52/071	130 (110)	11 (11)	116,5	71	15	8 (10) (8)	33 (38) (27)	M10 (M12) (M8)
005/A53/071	130 (110)	11 (11)	116,5	71	15	8 (10) (8)	33 (38) (27)	M10 (M12) (M8)
005/A62/071	180 (130)	14 (14)	116,5	71	15	12 (8)	43 (31)	M16 (M10)
005/A63/071	180 (130)	14 (14)	116,5	71	15	12 (8)	43 (31)	M16 (M10)
005/A32/080	95 (80)	9 (9)	116,5	71	10	6 (5) (5)	22,5 (18) (16)	M6
005/A42/080	110 (95)	9 (9)	116,5	71	10	8 (6)	28 (21,5)	M10 (M6)
005/A43/080	110 (95)	9 (9)	116,5	71	10	8 (6)	28 (21,5)	M10 (M6)
005/A52/080	130 (110)	11 (11)	116,5	71	15	8 (10) (8)	33 (38) (27)	M10 (M12) (M8)
005/A53/080	130 (110)	11 (11)	116,5	71	15	8 (10) (8)	33 (38) (27)	M10 (M12) (M8)
005/A62/080	180 (130)	14 (14)	116,5	71	15	12 (8)	43 (31)	M16 (M10)
005/A63/080	180 (130)	14 (14)	116,5	71	15	12 (8)	43 (31)	M16 (M10)
010/A52/080-090	130 (110)	11 (11)	126,5	71	15	8 (10) (8)	33 (38) (27)	M10 (M12) (M8)
010/A62/080-090	180 (130)	14 (14)	126,5	71	15	12 (8)	43 (31)	M16 (M10)

10.1.5 Weight

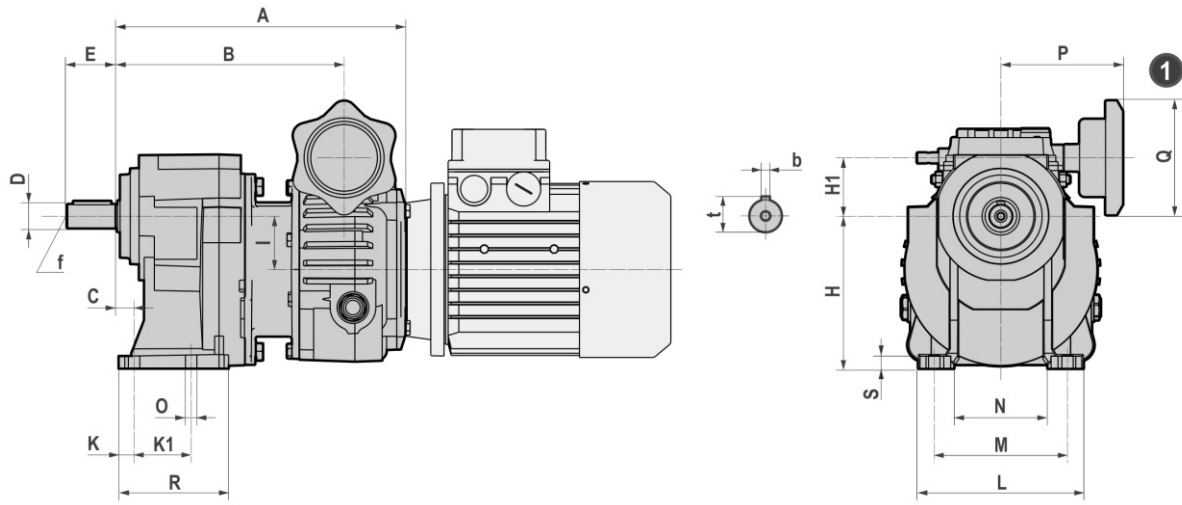
The values reported in the tables are referred to the weight of the gearbox with lubricant included.

*Weight without motor

VH.../A.. VHF.../A..	-kg
002/063/A41	14,5
005/071/A51	15
005/080/A51	15
005/080/A61	15,5
010/080/A61	15,5
010/090/A61	15,5
002/063/A32	5
002/063/A33	5,9
002/063/A42	5,7
002/063/A43	6,7
002/063/A53	10,6
002/063/A63	13,3
005/071/A32	6
005/071/A42	6,7
005/071/A43	7,7
005/071/A52	10,1
005/071/A53	11,6
005/071/A62	13
005/071/A63	14,3
005/080/A32	6,8
005/080/A42	7,4
005/080/A43	8,4
005/080/A52	10,8
005/080/A53	12,3
005/080/A62	13,7
005/080/A63	15,1
010/080/A52	13,1
010/080/A62	16
010/090/A52	13,8
010/090/A62	16,7

10.2 VH.../...

10.2.1 VHR.../..1



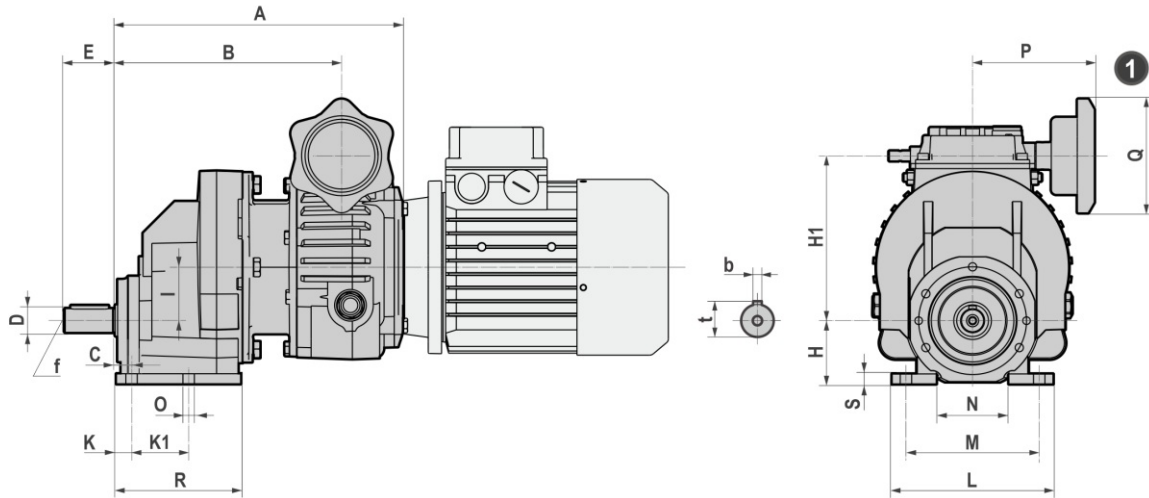
VHR.../..1	A	B	H1	I	P	Q
003/041	209	171,5	33	42	97	90
005/041	227,5	178,5	46	42	97	90
005/051	237,5	188,5	38	50	97	90
010/051	260	203,5	57	50	107	90
010/061	275	218,5	47	60	107	90
020/081	311	243,5	46	80	117	90
030/081	337,5	253,5	78,5	80	154	120
030-050/101	395	310,5	58,5	100	154	120
030-050/121	424,5	340,5	43,5	115	154	120
100/101	421	319,5	105,5	100	184	120
100/121	451	349,5	90,5	115	184	120

HR..1	D	E	b	t	f	C	H
041	19 j6	40	6	21.5	M6	13	120
051	24 j6	50	8	27	M8	13	130
061	28 j6	60	8	31	M10	16	165
081	38 k6	80	10	41	M12	25	195
101	48 k6	110	14	51.5	M16	19	252
121	55 m6	110	16	59	M20	25	300

HR..1	K	K1	L	M	N	O	R	S
041	12	45	130	105	74	9	86.5	9.5
051	12	70	178	150	100	11	106	11.5
061	14	70	195	165	110	11	120	15
081	23	85	230	185	123	14	130	15
101	17	130	295	240	162	18	173	16
121	22	150	340	280	183	18	202	19

10.2 VH.../...

10.2.2 VHRM.../..1

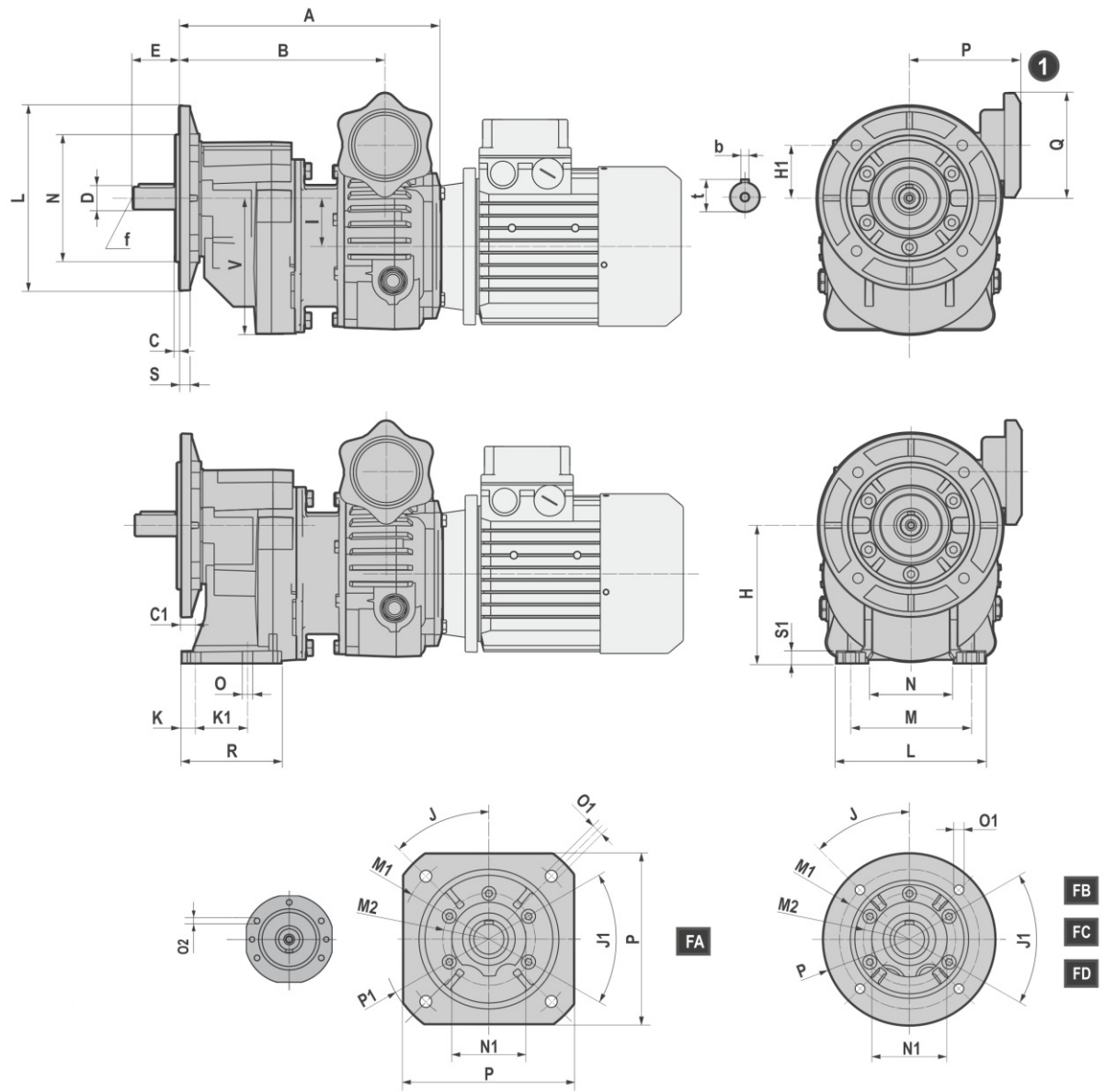


VHRM.../..1	A	B	H1	I	P	Q
003/041	209	171,5	117	42	97	90
005/041	227,5	178,5	130	42	97	90
005/051	237,5	188,5	138	50	97	90
010/051	260	203,5	157	50	107	90
010/061	275	218,5	167	60	107	90
020/081	311	243,5	206	80	117	90
030/081	337,5	253,5	238,5	80	154	120
030-050/101	395	310,5	258,5	100	154	120
030-050/121	424,5	340,5	273,5	115	154	120
100/101	421	319,5	305,5	100	184	120
100/121	451	349,5	320,5	115	184	120

HRM..1	D	E	b	t	f	C	H	K
041	19 j6	40	6	21,5	M6	13	50	12
051	24 j6	50	8	27	M8	13	63	12
061	28 j6	60	8	31	M10	16	80	14
081	38 k6	80	10	41	M12	25	100	23
101	48 k6	110	14	51,5	M16	19	125	17
121	55 m6	110	16	59	M20	25	160	22

HRM..1	K1	L	M	N	O	O2	R	S
041	45	130	105	55	9	M8x17 (n.5)	98	8
051	70	178	150	121,5	11	M8x17 (n.5)	109	14
061	70	195	165	135,5	11	M8x17 (n.5)	123	16
081	85	230	185	151	14	M10x20 (n.7)	135	20
101	130	295	240	185,5	18	M10x20 (n.6)	178	22
121	150	340	280	224	18	M12x25 (n.7)	207	25

10.2.3 VHRF.../.1 - VHRU.../.1



VHRF.../.1 VHRU.../.1	A	B	H1	I	P	Q
003/041	209	171,5	33	42	97	90
005/041	227,5	178,5	46	42	97	90
005/051	237,5	188,5	38	50	97	90
010/051	260	203,5	57	50	107	90
010/061	275	218,5	47	60	107	90
020/081	311	243,5	46	80	117	90
030/081	337,5	253,5	78,5	80	154	120
030-050/101	395	310,5	58,5	100	154	120
030-050/121	424,5	340,5	43,5	115	154	120
100/101	421	319,5	105,5	100	184	120
100/121	451	349,5	90,5	115	184	120

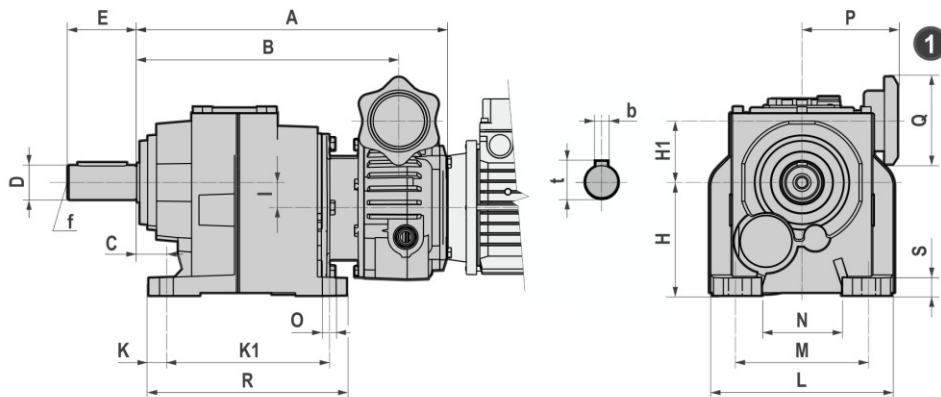
10.2 VH.../...

HRF.../..1 HRU.../..1	D	E	b	t	f	O2	-V
041	19 j6	40	6	21,5	M6	M8x17 (n.5)	118
051	24 j6	50	8	27	M8	M8x17 (n.5)	126
061	28 j6	60	8	31	M10	M8x17 (n.5)	136
081	38 k6	80	10	41	M12	M10x20 (n.7)	184
101	48 k6	110	14	51,5	M16	M10x20 (n.6)	251,5
121	55 m6	110	16	59	M20	M12x25 (n.7)	266,5

HRU..1	C1	H	K	K1	L	M	N	O	R	S1
041	13	120	12	45	130	105	74	9	86.5	9.5
051	13	130	12	70	178	150	100	11	106	11.5
061	16	165	14	70	195	165	110	11	120	15
081	25	195	23	85	230	185	123	14	130	15
101	19	252	17	130	295	240	162	18	173	16
121	25	300	22	150	340	280	183	18	202	19

		J	J1	M1	M2	NF f8	N1	O1	P	PI	S	C
HR041F/U HR051F/U	FA	45°	45°	Ø165	Ø85	130	70	11 (n.4)	160	Ø200	9	3,5
	FB			Ø130	Ø85	110		9 (n.4)	Ø160	/	9	3,5
	FC			Ø115	Ø85	95		9 (n.4)	Ø140	/	9	3
	FD			Ø100	Ø85	80		M8 (n.4)	Ø120	/	9	3
HR061F/U	FA	45°	45°	Ø215	Ø105	180	90	14 (n.4)	200	Ø250	12	4
	FB			Ø165	Ø105	130		11 (n.4)	Ø200	/	12	3,5
HR081F/U HR101F/U	FA	45°	45°	Ø265	Ø130	230	110	14 (n.4)	250	Ø300	15	4
	FB			Ø215	Ø130	180		14 (n.4)	Ø250	/	15	4
	FC			Ø165	Ø130	130		11 (n.4)	Ø200	/	15	3,5
HR121F/U	FA	45°	45°	Ø300	Ø165	250	130	18 (n.4)	300	Ø350	16	5
	FB			Ø265	Ø165	230		14 (n.4)	Ø300	/	16	4
	FC			Ø 215	Ø165	180		14 (n.4)	Ø250	/	16	4

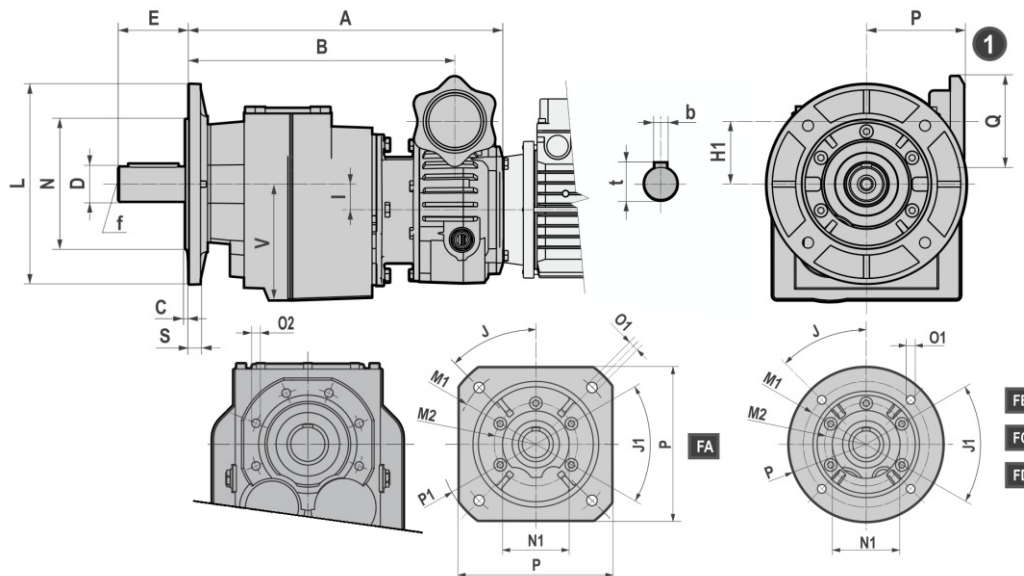
10.2.4 VH.../...2-3



VH.../...2-3	A	B	H1	I	P	Q
003/032-3	250	212,5	65,8	9,2	97	90
003/042-3	261	223,5	57	18	97	90
005/032-3	268,5	219,5	78,8	9,2	97	90
005/042-3	279,5	230,5	70	18	97	90
005/052-3	314,5	265,5	62,5	25,5	97	90
010/042-3	302	245,5	89	18	107	90
010/052-3	337	280,5	81,5	25,5	107	90
010/062-3	389	332,5	76	31	107	90
010/082-3	425,5	369	76	31	107	90
020/062-3	412	344,5	95	31	117	90
020/082-3	448,5	381	95	31	117	90
030/062-3	439	354,5	127,5	31	154	120
030/082-3	475,5	391	127,5	31	154	120
030-050/102-3	531	446,5	123	35,5	154	120
030-050/122-3	591,5	507	111	47,5	154	120
100/102-3	556,5	455,5	170	35,5	184	120
100/122-3	617,5	516	158	47,5	184	120

H..2-3	D	E	b	t	f	C	H	K	K1	L	M	N	O	R	S
032/033	25 j6	50	8	28	M10	25	90	15	130	140	110	60	11	160	15
042/043	30 j6	60	8	33	M10	30	115	15	165	170	135	85	14	195	15
052/053	35 k6	70	10	38	M12	30	115	18	165	185	135	80	14	201	18
062/063	40 k6	80	12	43	M16	35	140	25	205	220	170	100	16	255	20
062/063	35 k6	70	10	38	M12	35	140	25	205	220	170	100	16	255	20
082/083	50 k6	100	14	53,5	M16	40	180	27,5	260	280	215	140	18	315	25
082/083	40 k6	80	12	43	M16	40	180	27,5	260	280	215	140	18	315	25
102/103	60 m6	120	18	64	M20	40	225	27,5	310	330	250	159	22	365	30
122/123	70 m6	140	20	74,5	M20	45	250	35	370	406	290	185,5	26	440	35

10.2.5 VHF.../...2-3

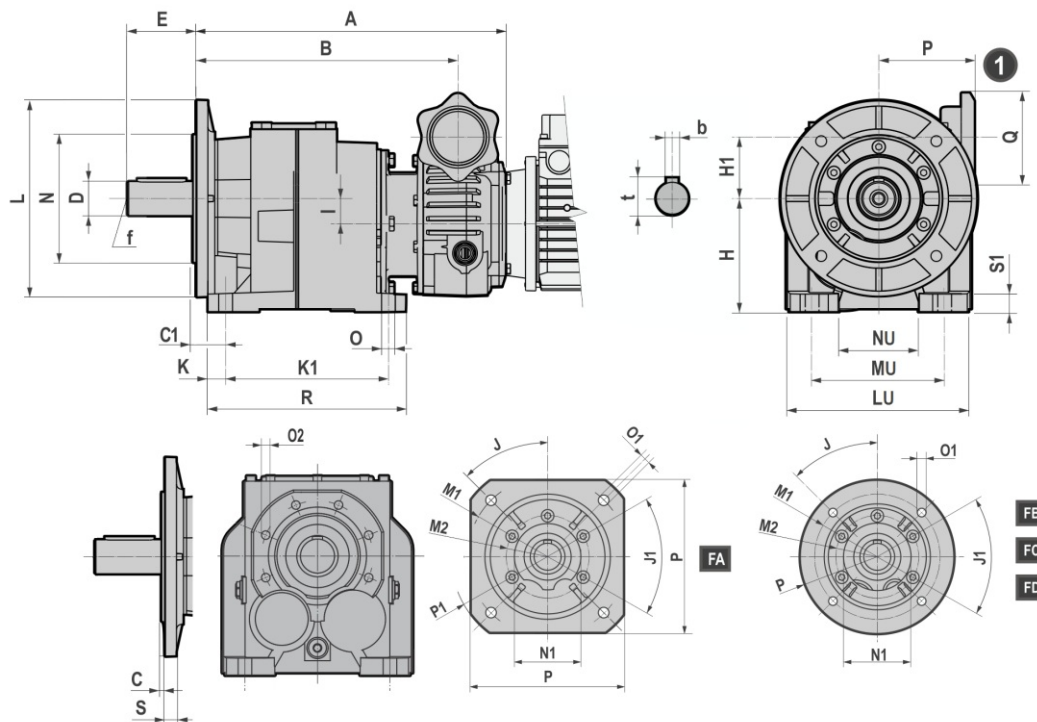


VHF.../...2-3	A	B	H1	I	P	Q
003/032-3	259	221,5	65,8	9,2	97	90
003/042-3	261	223,5	57	18	97	90
005/032-3	277,5	219,5	78,8	9,2	97	90
005/042-3	279,5	230,5	70	18	97	90
005/052-3	314,5	265,5	62,5	25,5	97	90
010/042-3	302	245,5	89	18	107	90
010/052-3	337	280,5	81,5	25,5	107	90
010/062-3	389	332,5	76	31	107	90
010/082-3	425,5	369	76	31	107	90
020/062-3	412	344,5	95	31	117	90
020/082-3	448,5	381	95	31	117	90
030/062-3	439	354,5	127,5	31	154	120
030/082-3	475,5	391	127,5	31	154	120
030-050/102-3	531	446,5	123	35,5	154	120
030-050/122-3	591,5	507	111	47,5	154	120
100/102-3	556,5	455,5	170	35,5	184	120
100/122-3	617,5	516	158	47,5	184	120

HF..2-3	D	E	b	t	f	H	O2	S	-V
032/033	25 j6	50	8	28	M10	90	M8x17 (n.5)	15	92
042/043	30 j6	60	8	33	M10	115	M8x17 (n.5)	15	115
052/053	35 k6	70	10	38	M12	115	M8x17 (n.5)	18	116
062/063	40 k6	80	12	43	M16	140	M10x20 (n.6)	20	140
062/063	35 k6	70	10	38	M12	140	M10x20 (n.6)	20	140
082/083	50 k6	100	14	53,5	M16	180	M12x25 (n.7)	25	180
082/083	40 k6	80	12	43	M16	180	M12x25 (n.7)	25	180
102/103	60 m6	120	18	64	M20	225	M14x28 (n.7)	30	227
122/123	70 m6	140	20	74,5	M20	250	M14x30 (n.7)	35	253

HF....		J	J1	M1	M2	NF f8	N1	O1	P	P1	S	C
032/033 042/043	FA	45	45	Ø165	Ø85	130	70	11	160	Ø200	9	3,5
	FB			Ø130	Ø85	110		9	Ø160	/	9	3,5
	FC			Ø115	Ø85	95		9	Ø140	/	9	3
	FD			Ø100	Ø85	80		M8	Ø120	/	9	3
052/053	FA	45	45	Ø215	Ø105	180	90	14	200	Ø250	12	4
	FB			Ø165	Ø105	130		11	Ø200	/	12	3,5
062/063	FA	45	45	Ø265	Ø130	230	110	14	250	Ø300	15	4
	FB			Ø215	Ø130	180		14	Ø250	/	15	4
	FC			Ø165	Ø130	130		11	Ø200	/	15	3,5
082/083	FA	45	45	Ø300	Ø165	250	130	18	300	Ø350	16	5
	FB			Ø265	Ø165	230		14	Ø300	/	16	4
	FC			Ø215	Ø165	180		14	Ø250	/	16	4
102/103	FA	45	45	Ø350	Ø185	300	150	18	350	Ø400	18	5
	FB			Ø300	Ø185	250		18	Ø350	/	18	5
	FC			Ø265	Ø185	230		14	Ø300	/	18	4
122/123	FB	45	45	Ø350	Ø200	300	170	18	Ø400	/	18	5

10.2.6 VHU.../...2-3



VHU.../...2-3	A	B	H1	I	P	Q
003/032-3	250	212,5	65,8	9,2	97	90
003/042-3	261	223,5	57	18	97	90
005/032-3	268,5	219,5	78,8	9,2	97	90
005/042-3	279,5	230,5	70	18	97	90
005/052-3	314,5	265,5	62,5	25,5	97	90
010/042-3	302	245,5	89	18	107	90
010/052-3	337	280,5	81,5	25,5	107	90
010/062-3	389	332,5	76	31	107	90
010/082-3	425,5	369	76	31	107	90
020/062-3	412	344,5	95	31	117	90
020/082-3	448,5	381	95	31	117	90
030/062-3	439	354,5	127,5	31	154	120
030/082-3	475,5	391	127,5	31	154	120
030-050/102-3	531	446,5	123	35,5	154	120
030-050/122-3	591,5	507	111	47,5	154	120
100/102-3	556,5	455,5	170	35,5	184	120
100/122-3	617,5	516	158	47,5	184	120

H..2-3	D	E	b	t	f	C1	H	K	K1	LU	MU	NU	O	O2	R	S1
032/033	25 j6	50	8	28	M10	25	90	15	130	140	110	60	11	M8x17 (n.5)	160	15
042/043	30 j6	60	8	33	M10	30	115	15	165	170	135	85	14	M8x17 (n.5)	195	15
052/053	35 k6	70	10	38	M12	30	115	18	165	185	135	80	14	M8x17 (n.5)	201	18
062/063	40 k6	80	12	43	M16	35	140	25	205	220	170	100	16	M10x20 (n.6)	255	20
062/063	35 k6	70	10	38	M12	35	140	25	205	220	170	100	16	M10x20 (n.6)	255	20
082/083	50 k6	100	14	53,5	M16	40	180	27,5	260	280	215	140	18	M12x25 (n.7)	315	25
082/083	40 k6	80	12	43	M16	40	180	27,5	260	280	215	140	18	M12x25 (n.7)	315	25
102/103	60 m6	120	18	64	M20	40	225	27,5	310	330	250	159	22	M14x28 (n.7)	365	30
122/123	70 m6	140	20	74,5	M20	45	250	35	370	406	290	185,5	26	M14x30 (n.7)	440	35

HU...		J	J1	M1	M2	NF f8	N1	O1	P	P1	S	C
032/033 042/043	FA	45	45	Ø165	Ø85	130	70	11	160	Ø200	9	3,5
	FB			Ø130	Ø85	110		9	Ø160	/	9	3,5
	FC			Ø115	Ø85	95		9	Ø140	/	9	3
	FD			Ø100	Ø85	80		M8	Ø120	/	9	3
052/053	FA	45	45	Ø215	Ø105	180	90	14	200	Ø250	12	4
	FB			Ø165	Ø105	130		11	Ø200	/	12	3,5
062/063	FA	45	45	Ø265	Ø130	230	110	14	250	Ø300	15	4
	FB			Ø215	Ø130	180		14	Ø250	/	15	4
	FC			Ø165	Ø130	130		11	Ø200	/	15	3,5
082/083	FA	45	45	Ø300	Ø165	250	130	18	300	Ø350	16	5
	FB			Ø265	Ø165	230		14	Ø300	/	16	4
	FC			Ø215	Ø165	180		14	Ø250	/	16	4
102/103	FA	45	45	Ø350	Ø185	300	150	18	350	Ø400	18	5
	FB			Ø300	Ø185	250		18	Ø350	/	18	5
	FC			Ø265	Ø185	230		14	Ø300	/	18	4
122/123	FB	45	45	Ø350	Ø200	300	170	18	Ø400	/	18	5

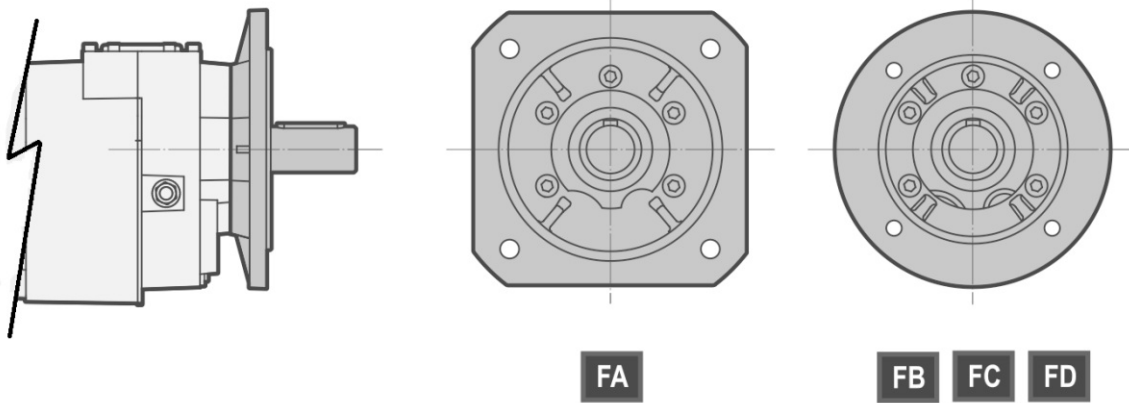
10.2.7 Weight

The values reported in the tables are referred to the weight of the gearbox with lubricant included.

*Weight without motor

VH.../... VHF.../... VHU.../...	-kg
003/041	6,5
005/041	9,7
005/051	11,8
010/051	17,3
010/061	19,3
020/081	36,8
030-050/081	55
030-050/101	66,1
030-050/121	68,5
100/101	98,6
100/121	101
003/032-3	10,8
003/042-3	13,7
005/032-3	14
005/042-3	16,9
005/052-3	22,2
010/042-3	22,4
010/052-3	27,7
010/062-3	36,6
010/082-3	53,5
020/062-3	47,5
020/082-3	64,4
030-050/062-3	65,7
030-050/082-3	82,6
030-050/102-3	109,6
030-050/122-3	139
100/102-3	142,1
100/122-3	171,5

11.1 OUTPUT FLANGE



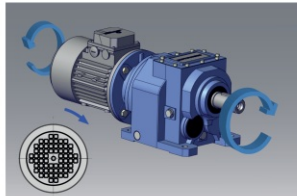
VHF.../VHU...		
R041 R051	032/033 042/043	FA
		FB
		FC
		FD
R061	052/053	FA
		FB
R081 R101	062/063	FA
		FB
		FC
R121	082/083	FA
		FB
		FC
-	102/103	FA
		FB
		FC
	122/123	FA
		FB
		FC

11.2 BACKSTOP DEVICE

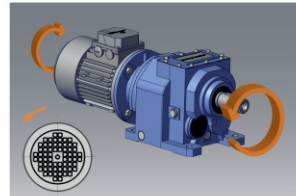
The gear reducer can be supplied with backstop device on input shaft. Backstop device allows output shaft rotation in only one sense of direction; according to the size, it is available in the input flange or in the motor with the same dimensions. It is important to specify the required sense of direction on the order. The backstop device is not available for mounting position V1/V5 with motor size IEC 100...225.

SENSE OF DIRECTION AVAILABLE

H... 1 - H... 1F - H... 1U - H... M - H... 3 - H... 3F - H... 3U

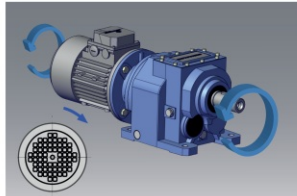


CLOCKWISE SENSE OF DIRECTION
REFERRED TO HIGH SPEED SHAFT

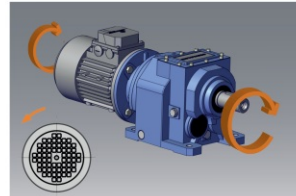


COUNTER CLOCKWISE SENSE OF DIRECTION
REFERRED TO HIGH SPEED SHAFT

H... 2 - H... 2F - H... 2U



CLOCKWISE SENSE OF DIRECTION
REFERRED TO HIGH SPEED SHAFT



COUNTER CLOCKWISE SENSE OF DIRECTION
REFERRED TO HIGH SPEED SHAFT

11.2 BACKSTOP DEVICE

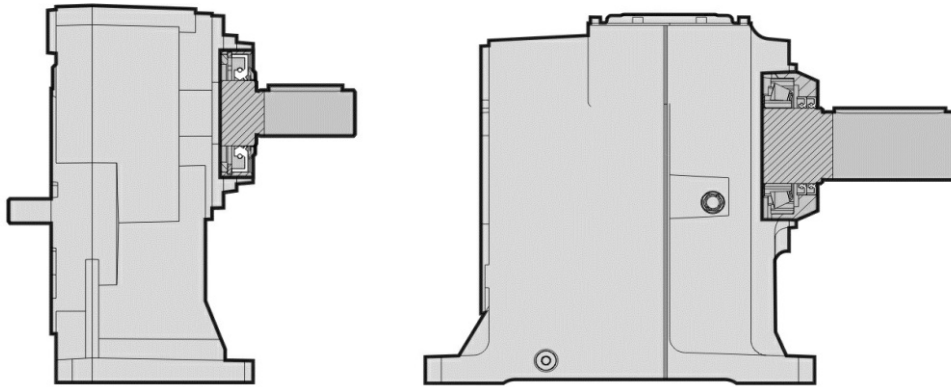
	063	071	080	090	100-112	132	160	180	200	225
	140x11	160x14	200x19	200x24	250x28	300x38	350x42	350x48	400x55	450x60
H032		B5	B5	B5	B5					
H033	B5	B5	B5	B5						
HR041		B5	B5	B5						
H042		B5	B5	B5	B5					
H043	B5	B5	B5	B5						
HR051		B5	B5	B5	B5					
H052		B5	B5	B5	B5					
H053	B5	B5	B5	B5						
HR061			B5	B5	B5					
H062			B5	B5	B5	B5				
H063		B5	B5	B5	B5					
HR081			B5	B5	B5	B5				
H082			B5	B5	B5	B5	B5			
H083			B5	B5	B5	B5				
HR101					B5	B5	B5	B5		
H102					B5	B5	B5	B5		
H103				B5	B5	B5	B5			
HR121						B5	B5	B5	B5	
H122						B5	B5	B5	B5	
H123					B5	B5	B5	B5	B5	

11.3 REINFORCED OIL SEALS FOR OUTPUT SHAF.

The reinforced seal can be done depending on the gearbox size by means of two oil seals or through the standard oil seal with VRM ring. The difference of the two solutions is explained on the drawings.

The helical gear reducers from size 060 to size 125 (except for single stage) in V1/ V5 mounting position, are already equipped with 2 oil seals as standard.

On request the gear reducer can be supplied with fluoroelastomer FPM (FKM) seals.



	Double oil seal	VRM ring
HR041		X
HR051		X
HR061		X
HR081		X
HR101		X
HR121		X
H032/3		X
H042/3		X
H052/3		X
H062/3	X	
H082/3	X	
H102/3	X	
H122/3	X	

0,09 kW

n2 (a) [rpm]	n2 (b) [rpm]	M2 (a) [Nm]	M2 (b) [Nm]	fs (a)	fs (b)	i	Gear reducer	Motor	Fr2 [N]
119,0	23,0	6	18	5,7	1,8	4,75	VH002/A41	TS63A6	1100
104,0	20,0	6	21	5,0	1,6	5,45	VH002/A41	TS63A6	1100
43,0	8,3	16	51	5,5	1,7	13,25	VH002/A32	TS63A6	2000
34,0	6,6	19	63	4,4	1,4	16,49	VH002/A32	TS63A6	2000
28,0	5,4	24	78	4,1	1,3	20,26	VH002/A32	TS63A6	2000
23,0	4,5	29	94	3,2	1,0	24,55	VH002/A32	TS63A6	2000
23,0	4,5	29	94	5,8	1,8	24,55	VH002/A42	TS63A6	4300
19,0	3,6	36	117	4,2	1,3	30,55	VH002/A42	TS63A6	4300
16,0	3,1	42	136	3,9	1,2	35,44	VH002/A42	TS63A6	4300
13,0	2,5	52	169	2,9	0,9	44,10	VH002/A42	TS63A6	4300
11,0	2,2	58	187	5,6	1,8	49,80	VH002/A53	TS63A6	6000
9,4	1,8	70	227	4,6	1,5	60,25	VH002/A53	TS63A6	6000
7,6	1,5	87	282	3,7	1,2	74,88	VH002/A53	TS63A6	6000
7,6	1,5	87	282	6,0	1,9	74,88	VH002/A63	TS63A6	8000
6,4	1,2	102	331	3,2	1,0	88,02	VH002/A53	TS63A6	6000
6,4	1,2	102	331	5,1	1,6	88,02	VH002/A63	TS63A6	8000
5,1	1,0	129	420	4,0	1,3	111,61	VH002/A63	TS63A6	8000
4,1	0,8	160	522	3,2	1,0	138,71	VH002/A63	TS63A6	8000

0,12 kW

n2 (a) [rpm]	n2 (b) [rpm]	M2 (a) [Nm]	M2 (b) [Nm]	fs (a)	fs (b)	i	Gear reducer	Motor	Fr2 [N]
192,0	37,0	5	11	5,8	2,4	2,94	VH002/A41	TS63B6	1100
161,0	31,0	6	21	5,5	1,6	5,45	VH002/A41	TS63A4	1100
119,0	23,0	8	18	4,3	1,8	4,75	VH002/A41	TS63B6	1100
104,0	20,0	9	21	3,7	1,6	5,45	VH002/A41	TS63B6	1100
53,0	10,0	17	63	4,9	1,4	16,49	VH002/A32	TS63A4	2000
52,0	10,0	17	42	5,6	2,4	10,94	VH002/A32	TS63B6	2000
43,0	8,4	21	78	4,5	1,3	20,26	VH002/A32	TS63A4	2000
43,0	8,3	21	51	4,1	1,7	13,25	VH002/A32	TS63B6	2000
36,0	6,9	25	94	3,5	1,0	24,55	VH002/A32	TS63A4	2000
34,0	6,6	26	63	3,3	1,4	16,49	VH002/A32	TS63B6	2000
34,0	6,6	26	63	5,8	2,4	16,49	VH002/A42	TS63B6	4300
29,0	5,6	32	117	4,7	1,3	30,55	VH002/A42	TS63A4	4300
28,0	5,4	32	78	3,0	1,3	20,26	VH002/A32	TS63B6	2000
28,0	5,4	32	78	5,1	2,1	20,26	VH002/A42	TS63B6	4300
25,0	4,8	37	136	4,3	1,2	35,44	VH002/A42	TS63A4	4300
23,0	4,5	39	94	2,4	1,0	24,55	VH002/A32	TS63B6	2000
23,0	4,5	39	94	4,3	1,8	24,55	VH002/A42	TS63B6	4300
20,0	3,9	46	169	3,2	0,9	44,10	VH002/A42	TS63A4	4300
19,0	3,6	48	117	3,1	1,3	30,55	VH002/A42	TS63B6	4300
16,0	3,1	56	136	2,9	1,2	35,44	VH002/A42	TS63B6	4300
15,0	2,8	61	227	5,2	1,5	60,25	VH002/A53	TS63A4	6000
13,0	2,5	69	169	2,2	0,9	44,10	VH002/A42	TS63B6	4300
12,0	2,3	76	282	4,2	1,2	74,88	VH002/A53	TS63A4	6000
11,0	2,2	77	187	4,2	1,8	49,80	VH002/A53	TS63B6	6000
10,0	1,9	89	331	3,5	1,0	88,02	VH002/A53	TS63A4	6000
10,0	1,9	89	331	5,7	1,6	88,02	VH002/A63	TS63A4	8000
9,4	1,8	93	227	3,5	1,5	60,25	VH002/A53	TS63B6	6000
9,4	1,8	93	227	5,6	2,3	60,25	VH002/A63	TS63B6	8000
7,9	1,5	113	420	4,5	1,3	111,61	VH002/A63	TS63A4	8000
7,6	1,5	115	282	2,8	1,2	74,88	VH002/A53	TS63B6	6000
7,6	1,5	115	282	4,5	1,9	74,88	VH002/A63	TS63B6	8000
6,4	1,2	136	331	2,4	1,0	88,02	VH002/A53	TS63B6	6000
6,4	1,2	136	331	3,8	1,6	88,02	VH002/A63	TS63B6	8000

(a) Values relating to maximum speed

(b) Values relating to minimum speed

0,12 kW

n2 (a) [rpm]	n2 (b) [rpm]	M2 (a) [Nm]	M2 (b) [Nm]	fs (a)	fs (b)	i	Gear reducer	Motor	Fr2 [N]
6,3	1,2	141	522	3,6	1,0	138,71	VH002/A63	TS63A4	8000
5,1	1,0	172	420	3,0	1,3	111,61	VH002/A63	TS63B6	8000
4,1	0,8	214	522	2,4	1,0	138,71	VH002/A63	TS63B6	8000

0,15 kW

n2 (a) [rpm]	n2 (b) [rpm]	M2 (a) [Nm]	M2 (b) [Nm]	fs (a)	fs (b)	i	Gear reducer	Motor	Fr2 [N]
192,0	37,0	6	11	4,6	2,4	2,94	VH002/A41	TS63C6	1100
119,0	23,0	9	18	3,4	1,8	4,75	VH002/A41	TS63C6	1100
104,0	20,0	11	21	3,0	1,6	5,45	VH002/A41	TS63C6	1100
70,0	13,0	16	31	5,1	2,6	8,11	VH002/A32	TS63C6	2000
52,0	10,0	22	42	4,5	2,4	10,94	VH002/A32	TS63C6	2000
43,0	8,3	26	51	3,3	1,7	13,25	VH002/A32	TS63C6	2000
43,0	8,3	26	51	5,8	3,0	13,25	VH002/A42	TS63C6	4300
34,0	6,6	32	63	2,7	1,4	16,49	VH002/A32	TS63C6	2000
34,0	6,6	32	63	4,7	2,4	16,49	VH002/A42	TS63C6	4300
28,0	5,4	40	78	2,4	1,3	20,26	VH002/A32	TS63C6	2000
28,0	5,4	40	78	4,1	2,1	20,26	VH002/A42	TS63C6	4300
23,0	4,5	48	94	1,9	1,0	24,55	VH002/A32	TS63C6	2000
23,0	4,5	48	94	3,5	1,8	24,55	VH002/A42	TS63C6	4300
19,0	3,6	60	117	2,5	1,3	30,55	VH002/A42	TS63C6	4300
16,0	3,1	70	136	2,3	1,2	35,44	VH002/A42	TS63C6	4300
13,0	2,5	87	169	1,7	0,9	44,10	VH002/A42	TS63C6	4300
11,0	2,2	96	187	3,4	1,8	49,80	VH002/A53	TS63C6	6000
11,0	2,2	96	187	5,4	2,8	49,80	VH002/A63	TS63C6	8000
9,4	1,8	116	227	2,8	1,5	60,25	VH002/A53	TS63C6	6000
9,4	1,8	116	227	4,5	2,3	60,25	VH002/A63	TS63C6	8000
7,6	1,5	144	282	2,2	1,2	74,88	VH002/A53	TS63C6	6000
7,6	1,5	144	282	3,6	1,9	74,88	VH002/A63	TS63C6	8000
6,4	1,2	169	331	1,9	1,0	88,02	VH002/A53	TS63C6	6000
6,4	1,2	169	331	3,1	1,6	88,02	VH002/A63	TS63C6	8000
5,1	1,0	215	420	2,4	1,3	111,61	VH002/A63	TS63C6	8000
4,1	0,8	267	522	1,9	1,0	138,71	VH002/A63	TS63C6	8000

0,18 kW

n2 (a) [rpm]	n2 (b) [rpm]	M2 (a) [Nm]	M2 (b) [Nm]	fs (a)	fs (b)	i	Gear reducer	Motor	Fr2 [N]
299,0	58,0	5	11	5,7	2,4	2,94	VH002/A41	TS63B4	1050
185,0	36,0	8	18	4,2	1,8	4,75	VH002/A41	TS63B4	1100
161,0	31,0	9	21	3,7	1,6	5,45	VH002/A41	TS63B4	1100
135,0	23,0	10	28	5,3	2,0	4,75	VH005/A51	TS71A6	3000
118,0	20,0	12	32	4,7	1,7	5,45	VH005/A51	TS71A6	3000
82,0	14,0	17	46	2,6	1,0	7,88	VH005/A51	TS71A6	3000
80,0	16,0	17	42	5,6	2,3	10,94	VH002/A32	TS63B4	2000
79,0	13,0	17	47	4,7	1,8	8,11	VH005/A32	TS71A6	2000
66,0	13,0	21	51	4,1	1,7	13,25	VH002/A32	TS63B4	2000
59,0	10,0	23	63	4,2	1,6	10,94	VH005/A32	TS71A6	2000
53,0	10,0	26	63	3,3	1,4	16,49	VH002/A32	TS63B4	2000
53,0	10,0	26	63	5,7	2,4	16,49	VH002/A42	TS63B4	4300
49,0	8,3	28	76	3,1	1,2	13,25	VH005/A32	TS71A6	2000
49,0	8,3	28	76	5,4	2,0	13,25	VH005/A42	TS71A6	4300
43,0	8,4	32	78	3,0	1,3	20,26	VH002/A32	TS63B4	2000

(a) Values relating to maximum speed

(b) Values relating to minimum speed

12.1 VHA - PERFORMANCE

0,18 kW

n2 (a) [rpm]	n2 (b) [rpm]	M2 (a) [Nm]	M2 (b) [Nm]	fs (a)	fs (b)	i	Gear reducer	Motor	Fr2 [N]
43,0	8,4	32	78	5,0	2,1	20,26	VH002/A42	TS63B4	4300
39,0	6,6	34	95	2,5	0,9	16,49	VH005/A32	TS71A6	2000
39,0	6,6	34	95	4,4	1,6	16,49	VH005/A42	TS71A6	4300
36,0	6,9	38	94	2,3	1,0	24,55	VH002/A32	TS63B4	2000
36,0	6,9	38	94	4,3	1,8	24,55	VH002/A42	TS63B4	4300
32,0	5,4	42	117	3,8	1,4	20,26	VH005/A42	TS71A6	4300
29,0	5,6	47	117	3,1	1,3	30,55	VH002/A42	TS63B4	4300
26,0	4,5	51	141	3,2	1,2	24,55	VH005/A42	TS71A6	4300
25,0	4,8	55	136	2,9	1,2	35,44	VH002/A42	TS63B4	4300
25,0	4,3	53	146	5,7	2,1	25,43	VH005/A52	TS71A6	6000
22,0	3,7	62	172	5,2	1,9	29,89	VH005/A52	TS71A6	6000
20,0	3,9	69	169	2,1	0,9	44,10	VH002/A42	TS63B4	4300
18,0	3,4	76	187	4,2	1,8	49,80	VH002/A53	TS63B4	6000
18,0	3,0	76	208	4,3	1,6	36,17	VH005/A52	TS71A6	6000
15,0	2,8	92	227	3,4	1,5	60,25	VH002/A53	TS63B4	6000
15,0	2,8	92	227	5,5	2,3	60,25	VH002/A63	TS63B4	8000
14,0	2,4	94	259	3,2	1,2	44,95	VH005/A52	TS71A6	6000
14,0	2,4	94	259	5,0	1,9	44,95	VH005/A62	TS71A6	8000
13,0	2,2	104	287	3,1	1,1	49,78	VH005/A52	TS71A6	6000
13,0	2,2	102	281	3,2	1,2	49,80	VH005/A53	TS71A6	6000
13,0	2,2	104	287	3,8	1,4	49,78	VH005/A62	TS71A6	8000
13,0	2,2	102	281	5,1	1,9	49,80	VH005/A63	TS71A6	8000
12,0	2,3	114	282	2,8	1,2	74,88	VH002/A53	TS63B4	6000
12,0	2,3	114	282	4,4	1,9	74,88	VH002/A63	TS63B4	8000
11,0	1,8	123	340	2,6	1,0	60,25	VH005/A53	TS71A6	6000
11,0	1,8	123	340	4,2	1,6	60,25	VH005/A63	TS71A6	8000
10,0	1,9	134	331	2,4	1,0	88,02	VH002/A53	TS63B4	6000
10,0	1,9	134	331	3,8	1,6	88,02	VH002/A63	TS63B4	8000
10,0	1,8	129	356	3,7	1,4	61,87	VH005/A62	TS71A6	8000
8,6	1,5	153	422	3,4	1,2	74,88	VH005/A63	TS71A6	8000
7,9	1,5	170	420	3,0	1,3	111,61	VH002/A63	TS63B4	8000
7,3	1,2	180	496	2,9	1,1	88,02	VH005/A63	TS71A6	8000
6,3	1,2	211	522	2,4	1,0	138,71	VH002/A63	TS63B4	8000

0,22 kW

n2 (a) [rpm]	n2 (b) [rpm]	M2 (a) [Nm]	M2 (b) [Nm]	fs (a)	fs (b)	i	Gear reducer	Motor	Fr2 [N]
299,0	58,0	6	11	4,7	2,4	2,94	VH002/A41	TS63C4	992
185,0	36,0	9	18	3,5	1,8	4,75	VH002/A41	TS63C4	1100
161,0	31,0	10	21	3,0	1,6	5,45	VH002/A41	TS63C4	1100
108,0	21,0	15	31	5,1	2,6	8,11	VH002/A32	TS63C4	1924
80,0	16,0	21	42	4,6	2,3	10,94	VH002/A32	TS63C4	2000
66,0	13,0	25	51	3,3	1,7	13,25	VH002/A32	TS63C4	2000
66,0	13,0	25	51	5,9	3,0	13,25	VH002/A42	TS63C4	4300
53,0	10,0	31	63	2,7	1,4	16,49	VH002/A32	TS63C4	2000
53,0	10,0	31	63	4,7	2,4	16,49	VH002/A42	TS63C4	4300
43,0	8,4	39	78	2,5	1,3	20,26	VH002/A32	TS63C4	2000
43,0	8,4	39	78	4,1	2,1	20,26	VH002/A42	TS63C4	4300
36,0	6,9	47	94	1,9	1,0	24,55	VH002/A32	TS63C4	2000
36,0	6,9	47	94	3,5	1,8	24,55	VH002/A42	TS63C4	4300
29,0	5,6	58	117	2,5	1,3	30,55	VH002/A42	TS63C4	4300
25,0	4,8	67	136	2,3	1,2	35,44	VH002/A42	TS63C4	4300
20,0	3,9	84	169	1,8	0,9	44,10	VH002/A42	TS63C4	4300
18,0	3,4	93	187	3,4	1,8	49,80	VH002/A53	TS63C4	6000
18,0	3,4	93	187	5,5	2,8	49,80	VH002/A63	TS63C4	8000

(a) Values relating to maximum speed

(b) Values relating to minimum speed

0,22 kW

n2 (a) [rpm]	n2 (b) [rpm]	M2 (a) [Nm]	M2 (b) [Nm]	fs (a)	fs (b)	i	Gear reducer	Motor	Fr2 [N]
15,0	2,8	112	227	2,8	1,5	60,25	VH002/A53	TS63C4	6000
15,0	2,8	112	227	4,5	2,3	60,25	VH002/A63	TS63C4	8000
12,0	2,3	139	282	2,3	1,2	74,88	VH002/A53	TS63C4	6000
12,0	2,3	139	282	3,6	1,9	74,88	VH002/A63	TS63C4	8000
10,0	1,9	164	331	1,9	1,0	88,02	VH002/A53	TS63C4	6000
10,0	1,9	164	331	3,1	1,6	88,02	VH002/A63	TS63C4	8000
7,9	1,5	208	420	2,4	1,3	111,61	VH002/A63	TS63C4	8000
6,3	1,2	258	522	2,0	1,0	138,71	VH002/A63	TS63C4	8000

0,25 kW

n2 (a) [rpm]	n2 (b) [rpm]	M2 (a) [Nm]	M2 (b) [Nm]	fs (a)	fs (b)	i	Gear reducer	Motor	Fr2 [N]
371,0	72,0	5	18	5,4	1,8	4,75	VH002/A41	TS63B2	1100
323,0	62,0	6	21	4,7	1,5	5,45	VH002/A41	TS63B2	1100
299,0	58,0	6	11	4,1	2,4	2,94	VH002/A41	TS63D4	992
218,0	37,0	9	17	5,0	2,6	2,94	VH005/A51	TS71B6	3000
211,0	36,0	9	28	5,7	2,0	4,75	VH005/A51	TS71A4	3000
185,0	36,0	10	18	3,0	1,8	4,75	VH002/A41	TS63D4	1100
183,0	31,0	11	32	4,9	1,7	5,45	VH005/A51	TS71A4	3000
161,0	31,0	12	21	2,7	1,6	5,45	VH002/A41	TS63D4	1100
135,0	26,0	14	25	6,0	3,5	6,52	VH002/A32	TS63D4	1788
135,0	23,0	14	28	3,9	2,0	4,75	VH005/A51	TS71B6	3000
133,0	26,0	15	51	5,2	1,7	13,25	VH002/A32	TS63B2	2000
127,0	22,0	15	46	2,7	1,0	7,88	VH005/A51	TS71A4	3000
123,0	21,0	15	47	5,0	1,8	8,11	VH005/A32	TS71A4	2000
120,0	20,0	16	31	5,5	2,8	5,38	VH005/A32	TS71B6	1919
118,0	20,0	16	32	3,4	1,7	5,45	VH005/A51	TS71B6	3000
108,0	21,0	18	31	4,5	2,6	8,11	VH002/A32	TS63D4	1924
107,0	21,0	18	63	4,2	1,4	16,49	VH002/A32	TS63B2	2000
99,0	17,0	19	38	4,5	2,3	6,52	VH005/A32	TS71B6	2000
91,0	16,0	21	63	4,5	1,6	10,94	VH005/A32	TS71A4	2000
87,0	17,0	22	78	3,8	1,3	20,26	VH002/A32	TS63B2	2000
82,0	14,0	23	46	1,9	1,0	7,88	VH005/A51	TS71B6	3000
80,0	16,0	24	42	4,0	2,3	10,94	VH002/A32	TS63D4	2000
79,0	13,0	24	47	3,4	1,8	8,11	VH005/A32	TS71B6	2000
79,0	13,0	24	47	5,9	3,1	8,11	VH005/A42	TS71B6	4300
75,0	13,0	25	76	3,3	1,1	13,25	VH005/A32	TS71A4	2000
75,0	13,0	25	76	5,8	2,0	13,25	VH005/A42	TS71A4	4300
72,0	14,0	27	94	3,0	1,0	24,55	VH002/A32	TS63B2	2000
72,0	14,0	27	94	5,4	1,8	24,55	VH002/A42	TS63B2	4300
66,0	13,0	29	51	2,9	1,7	13,25	VH002/A32	TS63D4	2000
66,0	13,0	29	51	5,1	3,0	13,25	VH002/A42	TS63D4	4300
61,0	10,0	31	95	2,6	0,9	16,49	VH005/A32	TS71A4	2000
61,0	10,0	31	95	4,6	1,6	16,49	VH005/A42	TS71A4	4300
59,0	10,0	32	63	3,0	1,6	10,94	VH005/A32	TS71B6	2000
59,0	10,0	32	63	5,1	2,6	10,94	VH005/A42	TS71B6	4300
58,0	11,0	34	117	3,9	1,3	30,55	VH002/A42	TS63B2	4300
53,0	10,0	36	63	2,4	1,4	16,49	VH002/A32	TS63D4	2000
53,0	10,0	36	63	4,1	2,4	16,49	VH002/A42	TS63D4	4300
50,0	9,6	39	136	3,6	1,2	35,44	VH002/A42	TS63B2	4300
49,0	8,4	39	117	4,0	1,4	20,26	VH005/A42	TS71A4	4300
49,0	8,3	38	76	2,2	1,2	13,25	VH005/A32	TS71B6	2000
49,0	8,3	38	76	3,9	2,0	13,25	VH005/A42	TS71B6	4300
43,0	8,4	44	78	2,2	1,3	20,26	VH002/A32	TS63D4	2000
43,0	8,4	44	78	3,6	2,1	20,26	VH002/A42	TS63D4	4300

(a) Values relating to maximum speed

(b) Values relating to minimum speed

0,25 kW

n2 (a) [rpm]	n2 (b) [rpm]	M2 (a) [Nm]	M2 (b) [Nm]	fs (a)	fs (b)	i	Gear reducer	Motor	Fr2 [N]
41,0	6,9	47	141	3,4	1,2	24,55	VH005/A42	TS71A4	4300
40,0	7,7	48	169	2,7	0,9	44,10	VH002/A42	TS63B2	4300
39,0	6,6	48	95	1,8	0,9	16,49	VH005/A32	TS71B6	2000
39,0	6,6	48	95	3,1	1,6	16,49	VH005/A42	TS71B6	4300
36,0	6,9	53	94	1,7	1,0	24,55	VH002/A32	TS63D4	2000
36,0	6,9	53	94	3,1	1,8	24,55	VH002/A42	TS63D4	4300
35,0	6,8	54	187	5,3	1,7	49,80	VH002/A53	TS63B2	6000
33,0	5,7	57	172	5,5	1,9	29,89	VH005/A52	TS71A4	6000
32,0	5,4	59	117	2,7	1,4	20,26	VH005/A42	TS71B6	4300
31,0	5,3	59	118	5,2	2,7	20,46	VH005/A52	TS71B6	6000
29,0	5,6	66	117	2,2	1,3	30,55	VH002/A42	TS63D4	4300
29,0	5,6	65	227	4,4	1,4	60,25	VH002/A53	TS63B2	6000
28,0	4,7	69	208	4,5	1,6	36,17	VH005/A52	TS71A4	6000
26,0	4,5	71	141	2,3	1,2	24,55	VH005/A42	TS71B6	4300
25,0	4,8	77	136	2,1	1,2	35,44	VH002/A42	TS63D4	4300
25,0	4,3	74	146	4,1	2,1	25,43	VH005/A52	TS71B6	6000
24,0	4,5	81	282	3,5	1,2	74,88	VH002/A53	TS63B2	6000
24,0	4,5	81	282	5,6	1,9	74,88	VH002/A63	TS63B2	8000
22,0	3,8	86	259	3,4	1,2	44,95	VH005/A52	TS71A4	6000
22,0	3,8	86	259	5,3	1,9	44,95	VH005/A62	TS71A4	8000
22,0	3,7	87	172	3,7	1,9	29,89	VH005/A52	TS71B6	6000
22,0	3,7	87	172	5,6	2,9	29,89	VH005/A62	TS71B6	8000
20,0	3,9	95	169	1,5	0,9	44,10	VH002/A42	TS63D4	4300
20,0	3,9	95	331	3,0	1,0	88,02	VH002/A53	TS63B2	6000
20,0	3,9	95	331	4,8	1,6	88,02	VH002/A63	TS63B2	8000
20,0	3,4	95	287	3,3	1,1	49,78	VH005/A52	TS71A4	6000
20,0	3,4	93	281	3,4	1,2	49,80	VH005/A53	TS71A4	6000
20,0	3,4	95	287	4,1	1,4	49,78	VH005/A62	TS71A4	8000
20,0	3,4	93	281	5,4	1,9	49,80	VH005/A63	TS71A4	8000
18,0	3,4	105	187	3,0	1,8	49,80	VH002/A53	TS63D4	6000
18,0	3,4	105	187	4,8	2,8	49,80	VH002/A63	TS63D4	8000
18,0	3,0	105	208	3,1	1,6	36,17	VH005/A52	TS71B6	6000
18,0	3,0	105	208	4,8	2,5	36,17	VH005/A62	TS71B6	8000
17,0	2,8	113	340	2,8	1,0	60,25	VH005/A53	TS71A4	6000
17,0	2,8	113	340	4,4	1,5	60,25	VH005/A63	TS71A4	8000
16,0	3,0	120	420	3,8	1,2	111,61	VH002/A63	TS63B2	8000
16,0	2,7	118	356	3,9	1,4	61,87	VH005/A62	TS71A4	8000
15,0	2,8	127	227	2,5	1,5	60,25	VH002/A53	TS63D4	6000
15,0	2,8	127	227	4,0	2,3	60,25	VH002/A63	TS63D4	8000
14,0	2,4	130	259	2,3	1,2	44,95	VH005/A52	TS71B6	6000
14,0	2,4	130	259	3,6	1,9	44,95	VH005/A62	TS71B6	8000
13,0	2,5	149	522	3,0	1,0	138,71	VH002/A63	TS63B2	8000
13,0	2,3	140	422	3,6	1,2	74,88	VH005/A63	TS71A4	8000
13,0	2,2	144	287	2,2	1,1	49,78	VH005/A52	TS71B6	6000
13,0	2,2	141	281	2,3	1,2	49,80	VH005/A53	TS71B6	6000
13,0	2,2	144	287	2,7	1,4	49,78	VH005/A62	TS71B6	8000
13,0	2,2	141	281	3,6	1,9	49,80	VH005/A63	TS71B6	8000
12,0	2,3	158	282	2,0	1,2	74,88	VH002/A53	TS63D4	6000
12,0	2,3	158	282	3,2	1,9	74,88	VH002/A63	TS63D4	8000
11,0	1,9	165	496	3,0	1,1	88,02	VH005/A63	TS71A4	8000
11,0	1,8	171	340	1,9	1,0	60,25	VH005/A53	TS71B6	6000
11,0	1,8	171	340	3,0	1,6	60,25	VH005/A63	TS71B6	8000
10,0	1,9	186	331	1,7	1,0	88,02	VH002/A53	TS63D4	6000
10,0	1,9	186	331	2,7	1,6	88,02	VH002/A63	TS63D4	8000
10,0	1,8	179	356	2,6	1,4	61,87	VH005/A62	TS71B6	8000
8,6	1,5	213	422	2,4	1,2	74,88	VH005/A63	TS71B6	8000
7,9	1,5	236	420	2,1	1,3	111,61	VH002/A63	TS63D4	8000
7,3	1,2	250	496	2,1	1,1	88,02	VH005/A63	TS71B6	8000

(a) Values relating to maximum speed

(b) Values relating to minimum speed

12.1 VHA - PERFORMANCE

0,25 kW

n2 (a) [rpm]	n2 (b) [rpm]	M2 (a) [Nm]	M2 (b) [Nm]	fs (a)	fs (b)	i	Gear reducer	Motor	Fr2 [N]
6,3	1,2	293	522	1,7	1,0	138,71	VH002/A63	TS63D4	8000

0,37 kW

n2 (a) [rpm]	n2 (b) [rpm]	M2 (a) [Nm]	M2 (b) [Nm]	fs (a)	fs (b)	i	Gear reducer	Motor	Fr2 [N]
598,0	116,0	5	11	4,9	2,4	2,94	VH002/A41	TS63C2	833
371,0	72,0	8	18	3,6	1,8	4,75	VH002/A41	TS63C2	977
367,0	62,0	8	32	5,7	1,7	5,45	VH005/A51	TS71A2	3000
340,0	58,0	8	17	5,0	2,6	2,94	VH005/A51	TS71B4	2699
323,0	62,0	9	21	3,2	1,5	5,45	VH002/A41	TS63C2	1023
254,0	43,0	11	46	3,2	1,0	7,88	VH005/A51	TS71A2	3000
247,0	42,0	12	47	5,8	1,7	8,11	VH005/A32	TS71A2	1831
218,0	37,0	13	17	3,4	2,6	2,94	VH005/A51	TS71C6/80A6	2643
217,0	42,0	13	31	5,4	2,6	8,11	VH002/A32	TS63C2	1616
211,0	36,0	14	28	3,8	2,0	4,75	VH005/A51	TS71B4	3000
186,0	32,0	15	31	5,5	2,8	5,38	VH005/A32	TS71B4	1656
183,0	31,0	16	63	5,2	1,6	10,94	VH005/A32	TS71A2	2000
183,0	31,0	16	32	3,3	1,7	5,45	VH005/A51	TS71B4	3000
161,0	31,0	18	42	4,8	2,3	10,94	VH002/A32	TS63C2	1785
153,0	26,0	18	38	4,5	2,3	6,52	VH005/A32	TS71B4	1766
151,0	26,0	19	76	3,8	1,1	13,25	VH005/A32	TS71A2	2000
135,0	23,0	21	28	2,6	2,0	4,75	VH005/A51	TS71C6/80A6	3000
133,0	26,0	22	51	3,5	1,7	13,25	VH002/A32	TS63C2	1903
127,0	22,0	22	46	1,9	1,0	7,88	VH005/A51	TS71B4	3000
123,0	21,0	23	47	3,4	1,8	8,11	VH005/A32	TS71B4	1899
123,0	21,0	23	47	5,9	3,1	8,11	VH005/A42	TS71B4	3999
121,0	21,0	24	95	3,1	0,9	16,49	VH005/A32	TS71A2	2000
121,0	21,0	24	95	5,3	1,6	16,49	VH005/A42	TS71A2	4300
120,0	20,0	23	31	3,7	2,8	5,38	VH005/A32	TS71C6/80A6	1622
118,0	20,0	24	32	2,3	1,7	5,45	VH005/A51	TS71C6/80A6	3000
107,0	21,0	27	63	2,8	1,4	16,49	VH002/A32	TS63C2	2000
107,0	21,0	27	63	4,9	2,4	16,49	VH002/A42	TS63C2	4300
99,0	17,0	28	38	3,1	2,3	6,52	VH005/A32	TS71C6/80A6	1729
99,0	17,0	28	38	5,4	4,1	6,52	VH005/A42	TS71C6/80A6	3641
99,0	17,0	29	117	4,7	1,4	20,26	VH005/A42	TS71A2	4300
91,0	16,0	31	63	3,0	1,6	10,94	VH005/A32	TS71B4	2000
91,0	16,0	31	63	5,1	2,6	10,94	VH005/A42	TS71B4	4300
87,0	17,0	33	78	2,6	1,3	20,26	VH002/A32	TS63C2	2000
87,0	17,0	33	78	4,3	2,1	20,26	VH002/A42	TS63C2	4300
83,0	14,0	34	90	2,9	1,1	7,75	VH010/A61	TS80A6	4500
82,0	14,0	34	46	1,3	1,0	7,88	VH005/A51	TS71C6/80A6	3000
81,0	14,0	35	141	4,0	1,2	24,55	VH005/A42	TS71A2	4300
79,0	13,0	35	47	2,3	1,8	8,11	VH005/A32	TS71C6/80A6	1860
79,0	13,0	35	47	4,0	3,1	8,11	VH005/A42	TS71C6/80A6	3916
75,0	13,0	37	76	2,2	1,1	13,25	VH005/A32	TS71B4	2000
75,0	13,0	37	76	3,9	2,0	13,25	VH005/A42	TS71B4	4300
72,0	14,0	40	94	2,0	1,0	24,55	VH002/A32	TS63C2	2000
72,0	14,0	40	94	3,7	1,8	24,55	VH002/A42	TS63C2	4300
61,0	10,0	47	95	1,8	0,9	16,49	VH005/A32	TS71B4	2000
61,0	10,0	47	95	3,1	1,6	16,49	VH005/A42	TS71B4	4300
59,0	10,0	47	63	2,1	1,6	10,94	VH005/A32	TS71C6/80A6	2000
59,0	10,0	47	63	3,4	2,6	10,94	VH005/A42	TS71C6/80A6	4300
58,0	11,0	50	117	2,7	1,3	30,55	VH002/A42	TS63C2	4300
55,0	9,4	50	67	6,0	4,6	11,67	VH005/A52	TS71C6/80A6	5526
55,0	9,4	52	208	5,2	1,6	36,17	VH005/A52	TS71A2	6000

(a) Values relating to maximum speed

(b) Values relating to minimum speed

0,37 kW

n2 (a) [rpm]	n2 (b) [rpm]	M2 (a) [Nm]	M2 (b) [Nm]	fs (a)	fs (b)	i	Gear reducer	Motor	Fr2 [N]
55,0	9,4	50	134	6,0	2,3	11,67	VH010/A52	TS80A6	6000
50,0	9,6	58	136	2,5	1,2	35,44	VH002/A42	TS63C2	4300
49,0	8,4	57	117	2,7	1,4	20,26	VH005/A42	TS71B4	4300
49,0	8,3	57	76	1,5	1,2	13,25	VH005/A32	TS71C6/80A6	2000
49,0	8,3	57	76	2,6	2,0	13,25	VH005/A42	TS71C6/80A6	4300
49,0	8,3	58	118	5,2	2,7	20,46	VH005/A52	TS71B4	6000
44,0	7,6	65	259	3,9	1,2	44,95	VH005/A52	TS71A2	6000
44,0	7,5	62	84	4,8	3,7	14,50	VH005/A52	TS71C6/80A6	5942
44,0	7,5	62	167	4,8	1,8	14,50	VH010/A52	TS80A6	6000
41,0	6,9	69	141	2,3	1,2	24,55	VH005/A42	TS71B4	4300
40,0	7,7	72	169	1,8	0,9	44,10	VH002/A42	TS63C2	4300
40,0	6,8	72	287	3,8	1,1	49,78	VH005/A52	TS71A2	6000
40,0	6,8	70	281	3,9	1,2	49,80	VH005/A53	TS71A2	6000
40,0	6,8	72	287	4,7	1,4	49,78	VH005/A62	TS71A2	8000
39,0	6,7	72	146	4,1	2,1	25,43	VH005/A52	TS71B4	6000
39,0	6,6	71	95	1,2	0,9	16,49	VH005/A32	TS71C6/80A6	2000
39,0	6,6	71	95	2,1	1,6	16,49	VH005/A42	TS71C6/80A6	4300
38,0	6,5	73	97	4,4	3,4	16,91	VH005/A52	TS71C6/80A6	6000
38,0	6,5	73	195	4,4	1,7	16,91	VH010/A52	TS80A6	6000
35,0	6,8	79	187	3,6	1,7	49,80	VH002/A53	TS63C2	6000
35,0	6,8	79	187	5,7	2,8	49,80	VH002/A63	TS63C2	8000
33,0	5,7	84	172	3,7	1,9	29,89	VH005/A52	TS71B4	6000
33,0	5,7	84	172	5,5	2,9	29,89	VH005/A62	TS71B4	8000
33,0	5,6	85	340	3,2	1,0	60,25	VH005/A53	TS71A2	6000
33,0	5,6	85	340	5,1	1,5	60,25	VH005/A63	TS71A2	8000
32,0	5,5	89	356	4,5	1,3	61,87	VH005/A62	TS71A2	8000
32,0	5,4	87	117	1,8	1,4	20,26	VH005/A42	TS71C6/80A6	4300
31,0	5,3	88	118	3,5	2,7	20,46	VH005/A52	TS71C6/80A6	6000
31,0	5,3	88	118	5,6	4,3	20,46	VH005/A62	TS71C6/80A6	8000
31,0	5,3	88	236	3,5	1,4	20,46	VH010/A52	TS80A6	6000
31,0	5,3	88	236	5,6	2,1	20,46	VH010/A62	TS80A6	8000
29,0	5,6	96	227	2,9	1,4	60,25	VH002/A53	TS63C2	6000
29,0	5,6	96	227	4,7	2,3	60,25	VH002/A63	TS63C2	8000
28,0	4,7	102	208	3,1	1,6	36,17	VH005/A52	TS71B4	6000
28,0	4,7	102	208	4,8	2,5	36,17	VH005/A62	TS71B4	8000
27,0	4,5	105	422	4,1	1,2	74,88	VH005/A63	TS71A2	8000
26,0	4,5	105	141	1,6	1,2	24,55	VH005/A42	TS71C6/80A6	4300
25,0	4,3	109	146	2,7	2,1	25,43	VH005/A52	TS71C6/80A6	6000
25,0	4,3	109	146	4,2	3,2	25,43	VH005/A62	TS71C6/80A6	8000
25,0	4,3	109	293	2,7	1,0	25,43	VH010/A52	TS80A6	6000
25,0	4,3	109	293	4,2	1,6	25,43	VH010/A62	TS80A6	8000
24,0	4,5	119	282	2,4	1,2	74,88	VH002/A53	TS63C2	6000
24,0	4,5	119	282	3,8	1,9	74,88	VH002/A63	TS63C2	8000
23,0	3,9	124	496	3,5	1,1	88,02	VH005/A63	TS71A2	8000
22,0	3,8	127	259	2,3	1,2	44,95	VH005/A52	TS71B4	6000
22,0	3,8	127	259	3,6	1,9	44,95	VH005/A62	TS71B4	8000
22,0	3,7	128	172	2,5	1,9	29,89	VH005/A52	TS71C6/80A6	6000
22,0	3,7	128	172	3,8	2,9	29,89	VH005/A62	TS71C6/80A6	8000
22,0	3,7	128	344	2,5	1,0	29,89	VH010/A52	TS80A6	6000
22,0	3,7	128	344	3,8	1,4	29,89	VH010/A62	TS80A6	8000
20,0	3,9	140	331	2,0	1,0	88,02	VH002/A53	TS63C2	6000
20,0	3,9	140	331	3,2	1,6	88,02	VH002/A63	TS63C2	8000
20,0	3,4	141	287	2,2	1,1	49,78	VH005/A52	TS71B4	6000
20,0	3,4	138	281	2,3	1,2	49,80	VH005/A53	TS71B4	6000
20,0	3,4	141	287	2,7	1,4	49,78	VH005/A62	TS71B4	8000
20,0	3,4	138	281	3,6	1,9	49,80	VH005/A63	TS71B4	8000
18,0	3,0	155	208	2,1	1,6	36,17	VH005/A52	TS71C6/80A6	6000
18,0	3,0	155	208	3,2	2,5	36,17	VH005/A62	TS71C6/80A6	8000

(a) Values relating to maximum speed

(b) Values relating to minimum speed

0,37 kW

n2 (a) [rpm]	n2 (b) [rpm]	M2 (a) [Nm]	M2 (b) [Nm]	fs (a)	fs (b)	i	Gear reducer	Motor	Fr2 [N]
18,0	3,0	155	417	3,2	1,2	36,17	VH010/A62	TS80A6	8000
17,0	2,8	167	340	1,9	1,0	60,25	VH005/A53	TS71B4	6000
17,0	2,8	167	340	3,0	1,5	60,25	VH005/A63	TS71B4	8000
16,0	3,0	178	420	2,5	1,2	111,61	VH002/A63	TS63C2	8000
16,0	2,7	175	356	2,6	1,4	61,87	VH005/A62	TS71B4	8000
14,0	2,4	193	259	1,6	1,2	44,95	VH005/A52	TS71C6/80A6	6000
14,0	2,4	193	259	2,4	1,9	44,95	VH005/A62	TS71C6/80A6	8000
14,0	2,4	193	518	2,4	0,9	44,95	VH010/A62	TS80A6	8000
13,0	2,5	221	522	2,0	1,0	138,71	VH002/A63	TS63C2	8000
13,0	2,3	207	422	2,4	1,2	74,88	VH005/A63	TS71B4	8000
13,0	2,2	214	287	1,5	1,1	49,78	VH005/A52	TS71C6/80A6	6000
13,0	2,2	209	281	1,5	1,2	49,80	VH005/A53	TS71C6/80A6	6000
13,0	2,2	214	287	1,9	1,4	49,78	VH005/A62	TS71C6/80A6	8000
13,0	2,2	209	281	2,5	1,9	49,80	VH005/A63	TS71C6/80A6	8000
11,0	1,9	244	496	2,1	1,1	88,02	VH005/A63	TS71B4	8000
11,0	1,8	253	340	1,3	1,0	60,25	VH005/A53	TS71C6/80A6	6000
11,0	1,8	253	340	2,0	1,6	60,25	VH005/A63	TS71C6/80A6	8000
10,0	1,8	265	356	1,8	1,4	61,87	VH005/A62	TS71C6/80A6	8000
8,6	1,5	315	422	1,6	1,2	74,88	VH005/A63	TS71C6/80A6	8000
7,3	1,2	370	496	1,4	1,1	88,02	VH005/A63	TS71C6/80A6	8000

0,55 kW

n2 (a) [rpm]	n2 (b) [rpm]	M2 (a) [Nm]	M2 (b) [Nm]	fs (a)	fs (b)	i	Gear reducer	Motor	Fr2 [N]
679,0	116,0	6	17	5,7	2,5	2,94	VH005/A51	TS71B2	2275
421,0	72,0	10	28	4,4	2,0	4,75	VH005/A51	TS71B2	2668
367,0	62,0	12	32	3,8	1,7	5,45	VH005/A51	TS71B2	2794
340,0	58,0	12	17	3,3	2,6	2,94	VH005/A51	TS71C4/80A4	2281
307,0	52,0	14	38	5,2	2,3	6,52	VH005/A32	TS71B2	1489
257,0	44,0	16	29	6,0	3,4	2,50	VH010/A61	TS80B6	4117
254,0	43,0	17	46	2,1	1,0	7,88	VH005/A51	TS71B2	3000
247,0	42,0	17	47	3,9	1,7	8,11	VH005/A32	TS71B2	1601
211,0	36,0	20	28	2,6	2,0	4,75	VH005/A51	TS71C4/80A4	2675
186,0	32,0	23	31	3,7	2,8	5,38	VH005/A32	TS71C4/80A4	1400
183,0	31,0	23	63	3,5	1,6	10,94	VH005/A32	TS71B2	1769
183,0	31,0	23	63	5,8	2,6	10,94	VH005/A42	TS71B2	3724
183,0	31,0	23	32	2,2	1,7	5,45	VH005/A51	TS71C4/80A4	2801
153,0	26,0	27	38	3,0	2,3	6,52	VH005/A32	TS71C4/80A4	1493
153,0	26,0	27	38	5,3	4,1	6,52	VH005/A42	TS71C4/80A4	3142
151,0	26,0	28	76	2,6	1,1	13,25	VH005/A32	TS71B2	1886
151,0	26,0	28	76	4,5	2,0	13,25	VH005/A42	TS71B2	3970
147,0	25,0	28	51	4,2	2,4	4,38	VH010/A61	TS80B6	4500
129,0	22,0	33	90	2,8	1,1	7,75	VH010/A61	TS80A4	4500
127,0	22,0	33	46	1,2	1,0	7,88	VH005/A51	TS71C4/80A4	3000
123,0	21,0	34	47	2,3	1,8	8,11	VH005/A32	TS71C4/80A4	1606
123,0	21,0	34	47	4,0	3,1	8,11	VH005/A42	TS71C4/80A4	3380
121,0	21,0	35	95	2,1	0,9	16,49	VH005/A32	TS71B2	2000
121,0	21,0	35	95	3,6	1,6	16,49	VH005/A42	TS71B2	4270
99,0	17,0	43	117	3,1	1,4	20,26	VH005/A42	TS71B2	4300
91,0	16,0	46	63	2,0	1,6	10,94	VH005/A32	TS71C4/80A4	1774
91,0	16,0	46	63	3,4	2,6	10,94	VH005/A42	TS71C4/80A4	3734
86,0	15,0	49	67	5,9	4,6	11,67	VH005/A52	TS71C4/80A4	4769
86,0	15,0	49	134	5,9	2,3	11,67	VH010/A52	TS80A4	5993
83,0	14,0	49	89	5,2	3,0	7,73	VH010/A52	TS80B6	5296
83,0	14,0	50	90	1,9	1,1	7,75	VH010/A61	TS80B6	4500

(a) Values relating to maximum speed

(b) Values relating to minimum speed

0,55 kW

n2 (a) [rpm]	n2 (b) [rpm]	M2 (a) [Nm]	M2 (b) [Nm]	fs (a)	fs (b)	i	Gear reducer	Motor	Fr2 [N]
81,0	14,0	52	141	2,7	1,2	24,55	VH005/A42	TS71B2	4300
79,0	13,0	54	146	4,7	2,1	25,43	VH005/A52	TS71B2	6000
75,0	13,0	56	76	1,5	1,1	13,25	VH005/A32	TS71C4/80A4	1891
75,0	13,0	56	76	2,6	2,0	13,25	VH005/A42	TS71C4/80A4	3981
69,0	12,0	61	84	4,8	3,7	14,50	VH005/A52	TS71C4/80A4	5128
69,0	12,0	61	167	4,8	1,8	14,50	VH010/A52	TS80A4	6000
67,0	11,0	64	172	4,2	1,9	29,89	VH005/A52	TS71B2	6000
67,0	11,0	62	111	5,2	3,0	9,64	VH010/A52	TS80B6	5700
61,0	10,0	69	95	1,2	0,9	16,49	VH005/A32	TS71C4/80A4	2000
61,0	10,0	69	95	2,1	1,6	16,49	VH005/A42	TS71C4/80A4	4282
59,0	10,0	71	97	4,4	3,4	16,91	VH005/A52	TS71C4/80A4	5398
59,0	10,0	71	195	4,4	1,7	16,91	VH010/A52	TS80A4	6000
55,0	9,4	77	208	3,5	1,6	36,17	VH005/A52	TS71B2	6000
55,0	9,4	77	208	5,5	2,5	36,17	VH005/A62	TS71B2	8000
55,0	9,4	74	134	4,0	2,3	11,67	VH010/A52	TS80B6	6000
49,0	8,4	85	117	1,8	1,4	20,26	VH005/A42	TS71C4/80A4	4300
49,0	8,3	86	118	3,5	2,7	20,46	VH005/A52	TS71C4/80A4	5752
49,0	8,3	86	118	5,6	4,3	20,46	VH005/A62	TS71C4/80A4	8000
49,0	8,3	86	236	3,5	1,3	20,46	VH010/A52	TS80A4	6000
49,0	8,3	86	236	5,6	2,1	20,46	VH010/A62	TS80A4	8000
44,0	7,6	96	259	2,6	1,2	44,95	VH005/A52	TS71B2	6000
44,0	7,6	96	259	4,1	1,9	44,95	VH005/A62	TS71B2	8000
44,0	7,5	92	167	3,2	1,8	14,50	VH010/A52	TS80B6	6000
44,0	7,5	92	167	4,9	2,8	14,50	VH010/A62	TS80B6	8000
41,0	6,9	103	141	1,6	1,2	24,55	VH005/A42	TS71C4/80A4	4300
40,0	6,8	106	287	2,6	1,1	49,78	VH005/A52	TS71B2	6000
40,0	6,8	104	281	2,6	1,2	49,80	VH005/A53	TS71B2	6000
40,0	6,8	106	287	3,1	1,4	49,78	VH005/A62	TS71B2	8000
40,0	6,8	104	281	4,2	1,9	49,80	VH005/A63	TS71B2	8000
39,0	6,7	107	146	2,7	2,1	25,43	VH005/A52	TS71C4/80A4	6000
39,0	6,7	107	146	4,2	3,2	25,43	VH005/A62	TS71C4/80A4	8000
39,0	6,7	107	293	2,7	1,0	25,43	VH010/A52	TS80A4	6000
39,0	6,7	107	293	4,2	1,6	25,43	VH010/A62	TS80A4	8000
38,0	6,5	108	195	3,0	1,7	16,91	VH010/A52	TS80B6	6000
38,0	6,5	108	195	5,0	2,8	16,91	VH010/A62	TS80B6	8000
33,0	5,7	126	172	2,5	1,9	29,89	VH005/A52	TS71C4/80A4	6000
33,0	5,7	126	172	3,7	2,9	29,89	VH005/A62	TS71C4/80A4	8000
33,0	5,7	126	344	2,5	1,0	29,89	VH010/A52	TS80A4	6000
33,0	5,7	126	344	3,7	1,4	29,89	VH010/A62	TS80A4	8000
33,0	5,6	126	340	2,2	1,0	60,25	VH005/A53	TS71B2	6000
33,0	5,6	126	340	3,4	1,5	60,25	VH005/A63	TS71B2	8000
32,0	5,5	132	356	3,0	1,3	61,87	VH005/A62	TS71B2	8000
31,0	5,3	131	236	2,4	1,4	20,46	VH010/A52	TS80B6	6000
31,0	5,3	131	236	3,8	2,1	20,46	VH010/A62	TS80B6	8000
28,0	4,7	152	208	2,1	1,6	36,17	VH005/A52	TS71C4/80A4	6000
28,0	4,7	152	208	3,2	2,5	36,17	VH005/A62	TS71C4/80A4	8000
28,0	4,7	152	417	3,2	1,2	36,17	VH010/A62	TS80A4	8000
27,0	4,5	157	422	2,8	1,2	74,88	VH005/A63	TS71B2	8000
25,0	4,3	162	293	1,8	1,0	25,43	VH010/A52	TS80B6	6000
25,0	4,3	162	293	2,8	1,6	25,43	VH010/A62	TS80B6	8000
23,0	3,9	184	496	2,4	1,1	88,02	VH005/A63	TS71B2	8000
22,0	3,8	189	259	1,5	1,2	44,95	VH005/A52	TS71C4/80A4	6000
22,0	3,8	189	259	2,4	1,9	44,95	VH005/A62	TS71C4/80A4	8000
22,0	3,8	189	518	2,4	0,9	44,95	VH010/A62	TS80A4	8000
22,0	3,7	191	344	1,7	1,0	29,89	VH010/A52	TS80B6	6000
22,0	3,7	191	344	2,5	1,4	29,89	VH010/A62	TS80B6	8000
20,0	3,4	209	287	1,5	1,1	49,78	VH005/A52	TS71C4/80A4	6000
20,0	3,4	205	281	1,5	1,2	49,80	VH005/A53	TS71C4/80A4	6000

(a) Values relating to maximum speed

(b) Values relating to minimum speed

0,55 kW

n2 (a) [rpm]	n2 (b) [rpm]	M2 (a) [Nm]	M2 (b) [Nm]	fs (a)	fs (b)	i	Gear reducer	Motor	Fr2 [N]
20,0	3,4	209	287	1,8	1,4	49,78	VH005/A62	TS71C4/80A4	8000
20,0	3,4	205	281	2,4	1,9	49,80	VH005/A63	TS71C4/80A4	8000
18,0	3,0	231	417	2,2	1,2	36,17	VH010/A62	TS80B6	8000
17,0	2,8	248	340	1,3	1,0	60,25	VH005/A53	TS71C4/80A4	6000
17,0	2,8	248	340	2,0	1,5	60,25	VH005/A63	TS71C4/80A4	8000
16,0	2,7	260	356	1,8	1,4	61,87	VH005/A62	TS71C4/80A4	8000
14,0	2,4	287	518	1,6	0,9	44,95	VH010/A62	TS80B6	8000
13,0	2,3	308	422	1,6	1,2	74,88	VH005/A63	TS71C4/80A4	8000
11,0	1,9	362	496	1,4	1,1	88,02	VH005/A63	TS71C4/80A4	8000

0,75 kW

n2 (a) [rpm]	n2 (b) [rpm]	M2 (a) [Nm]	M2 (b) [Nm]	fs (a)	fs (b)	i	Gear reducer	Motor	Fr2 [N]
679,0	116,0	9	17	4,2	2,5	2,94	VH005/A51	TP71C2/80A2	2142
421,0	72,0	14	28	3,2	2,0	4,75	VH005/A51	TP71C2/80A2	2512
372,0	63,0	16	31	4,6	2,8	5,38	VH005/A32	TP71C2/80A2	1315
367,0	62,0	16	32	2,8	1,7	5,45	VH005/A51	TP71C2/80A2	2631
307,0	52,0	19	38	3,8	2,3	6,52	VH005/A32	TP71C2/80A2	1402
258,0	44,0	23	90	3,6	1,1	7,75	VH010/A61	TP80A2	4500
257,0	44,0	22	29	4,4	3,4	2,50	VH010/A61	TP80C6/90S6	3746
254,0	43,0	23	46	1,6	1,0	7,88	VH005/A51	TP71C2/80A2	2973
247,0	42,0	24	47	2,9	1,7	8,11	VH005/A32	TP71C2/80A2	1508
247,0	42,0	24	47	5,0	3,0	8,11	VH005/A42	TP71C2/80A2	3174
228,0	39,0	25	51	4,5	2,4	4,38	VH010/A61	TP80B4	4500
183,0	31,0	32	63	2,6	1,6	10,94	VH005/A32	TP71C2/80A2	1666
183,0	31,0	32	63	4,3	2,6	10,94	VH005/A42	TP71C2/80A2	3506
151,0	26,0	39	76	1,9	1,1	13,25	VH005/A32	TP71C2/80A2	1776
151,0	26,0	39	76	3,3	2,0	13,25	VH005/A42	TP71C2/80A2	3738
147,0	25,0	39	51	3,1	2,4	4,38	VH010/A61	TP80C6/90S6	4500
138,0	23,0	42	84	6,0	3,7	14,50	VH005/A52	TP71C2/80A2	4815
138,0	23,0	42	167	6,0	1,8	14,50	VH010/A52	TP80A2	5849
129,0	22,0	44	89	5,6	3,0	7,73	VH010/A52	TP80B4	4920
129,0	22,0	45	90	2,1	1,1	7,75	VH010/A61	TP80B4	4500
125,0	21,0	45	59	5,8	4,4	5,14	VH010/A52	TP80C6/90S6	4206
121,0	21,0	48	95	1,5	0,9	16,49	VH005/A32	TP71C2/80A2	1910
121,0	21,0	48	95	2,6	1,6	16,49	VH005/A42	TP71C2/80A2	4021
118,0	20,0	49	97	5,5	3,4	16,91	VH005/A52	TP71C2/80A2	5068
118,0	20,0	49	195	5,5	1,7	16,91	VH010/A52	TP80A2	6000
104,0	18,0	55	111	5,7	3,0	9,64	VH010/A52	TP80B4	5295
103,0	18,0	54	72	4,8	3,7	6,22	VH010/A52	TP80C6/90S6	4482
99,0	17,0	59	117	2,3	1,4	20,26	VH005/A42	TP71C2/80A2	4300
98,0	17,0	60	118	4,4	2,7	20,46	VH005/A52	TP71C2/80A2	5401
98,0	17,0	60	236	4,4	1,3	20,46	VH010/A52	TP80A2	6000
86,0	15,0	67	134	4,4	2,3	11,67	VH010/A52	TP80B4	5642
83,0	14,0	67	89	3,8	3,0	7,73	VH010/A52	TP80C6/90S6	4818
83,0	14,0	68	90	1,4	1,1	7,75	VH010/A61	TP80C6/90S6	4500
81,0	14,0	71	141	2,0	1,2	24,55	VH005/A42	TP71C2/80A2	4300
79,0	13,0	74	146	3,4	2,1	25,43	VH005/A52	TP71C2/80A2	5807
79,0	13,0	74	146	5,3	3,2	25,43	VH005/A62	TP71C2/80A2	8000
79,0	13,0	74	293	3,4	1,0	25,43	VH010/A52	TP80A2	6000
79,0	13,0	74	293	5,3	1,6	25,43	VH010/A62	TP80A2	8000
69,0	12,0	83	167	3,5	1,8	14,50	VH010/A52	TP80B4	6000
69,0	12,0	83	167	5,3	2,8	14,50	VH010/A62	TP80B4	8000
67,0	11,0	87	172	3,1	1,9	29,89	VH005/A52	TP71C2/80A2	6000
67,0	11,0	87	172	4,7	2,8	29,89	VH005/A62	TP71C2/80A2	8000

(a) Values relating to maximum speed

(b) Values relating to minimum speed

0,75 kW

n2 (a) [rpm]	n2 (b) [rpm]	M2 (a) [Nm]	M2 (b) [Nm]	fs (a)	fs (b)	i	Gear reducer	Motor	Fr2 [N]
67,0	11,0	84	111	3,8	3,0	9,64	VH010/A52	TP80C6/90S6	5186
67,0	11,0	87	344	3,1	0,9	29,89	VH010/A52	TP80A2	6000
67,0	11,0	84	111	5,9	4,5	9,64	VH010/A62	TP80C6/90S6	7655
67,0	11,0	87	344	4,7	1,4	29,89	VH010/A62	TP80A2	8000
59,0	10,0	97	195	3,2	1,7	16,91	VH010/A52	TP80B4	6000
59,0	10,0	97	195	5,4	2,8	16,91	VH010/A62	TP80B4	8000
55,0	9,4	105	208	2,6	1,6	36,17	VH005/A52	TP71C2/80A2	6000
55,0	9,4	105	208	4,0	2,5	36,17	VH005/A62	TP71C2/80A2	8000
55,0	9,4	101	134	3,0	2,3	11,67	VH010/A52	TP80C6/90S6	5526
55,0	9,4	101	134	4,6	3,6	11,67	VH010/A62	TP80C6/90S6	8000
55,0	9,4	105	417	4,0	1,2	36,17	VH010/A62	TP80A2	8000
49,0	8,3	117	236	2,6	1,3	20,46	VH010/A52	TP80B4	6000
49,0	8,3	117	236	4,1	2,1	20,46	VH010/A62	TP80B4	8000
44,0	7,6	131	259	1,9	1,2	44,95	VH005/A52	TP71C2/80A2	6000
44,0	7,6	131	259	3,0	1,9	44,95	VH005/A62	TP71C2/80A2	8000
44,0	7,6	131	518	3,0	0,9	44,95	VH010/A62	TP80A2	8000
44,0	7,5	126	167	2,4	1,8	14,50	VH010/A52	TP80C6/90S6	5942
44,0	7,5	126	167	3,6	2,8	14,50	VH010/A62	TP80C6/90S6	8000
40,0	6,8	145	287	1,9	1,1	49,78	VH005/A52	TP71C2/80A2	6000
40,0	6,8	142	281	1,9	1,2	49,80	VH005/A53	TP71C2/80A2	6000
40,0	6,8	145	287	2,3	1,4	49,78	VH005/A62	TP71C2/80A2	8000
40,0	6,8	142	281	3,1	1,9	49,80	VH005/A63	TP71C2/80A2	8000
39,0	6,7	146	293	2,0	1,0	25,43	VH010/A52	TP80B4	6000
39,0	6,7	146	293	3,1	1,6	25,43	VH010/A62	TP80B4	8000
38,0	6,5	147	195	2,2	1,7	16,91	VH010/A52	TP80C6/90S6	6000
38,0	6,5	147	195	3,6	2,8	16,91	VH010/A62	TP80C6/90S6	8000
33,0	5,7	171	344	1,8	1,0	29,89	VH010/A52	TP80B4	6000
33,0	5,7	171	344	2,7	1,4	29,89	VH010/A62	TP80B4	8000
33,0	5,6	172	340	1,6	1,0	60,25	VH005/A53	TP71C2/80A2	6000
33,0	5,6	172	340	2,5	1,5	60,25	VH005/A63	TP71C2/80A2	8000
32,0	5,5	180	356	2,2	1,3	61,87	VH005/A62	TP71C2/80A2	8000
31,0	5,3	178	236	1,7	1,4	20,46	VH010/A52	TP80C6/90S6	6000
31,0	5,3	178	236	2,8	2,1	20,46	VH010/A62	TP80C6/90S6	8000
28,0	4,7	207	417	2,4	1,2	36,17	VH010/A62	TP80B4	8000
27,0	4,5	213	422	2,0	1,2	74,88	VH005/A63	TP71C2/80A2	8000
25,0	4,3	221	293	1,4	1,0	25,43	VH010/A52	TP80C6/90S6	6000
25,0	4,3	221	293	2,1	1,6	25,43	VH010/A62	TP80C6/90S6	8000
23,0	3,9	251	496	1,7	1,1	88,02	VH005/A63	TP71C2/80A2	8000
22,0	3,8	257	518	1,8	0,9	44,95	VH010/A62	TP80B4	8000
22,0	3,7	260	344	1,2	1,0	29,89	VH010/A52	TP80C6/90S6	6000
22,0	3,7	260	344	1,9	1,4	29,89	VH010/A62	TP80C6/90S6	8000
18,0	3,0	315	417	1,6	1,2	36,17	VH010/A62	TP80C6/90S6	8000
14,0	2,4	391	518	1,2	0,9	44,95	VH010/A62	TP80C6/90S6	8000

0,92 kW

n2 (a) [rpm]	n2 (b) [rpm]	M2 (a) [Nm]	M2 (b) [Nm]	fs (a)	fs (b)	i	Gear reducer	Motor	Fr2 [N]
400,0	68,0	18	29	5,3	3,4	2,50	VH010/A61	TP80C4	3553
228,0	39,0	31	51	3,7	2,4	4,38	VH010/A61	TP80C4	4285
161,0	27,0	44	72	5,7	3,7	6,22	VH010/A52	TP80C4	4251
129,0	22,0	54	89	4,6	3,0	7,73	VH010/A52	TP80C4	4571
129,0	22,0	55	90	1,7	1,1	7,75	VH010/A61	TP80C4	4500
104,0	18,0	68	111	4,6	3,0	9,64	VH010/A52	TP80C4	4920
86,0	15,0	82	134	3,6	2,3	11,67	VH010/A52	TP80C4	5242
86,0	15,0	82	134	5,6	3,6	11,67	VH010/A62	TP80C4	7738

(a) Values relating to maximum speed

(b) Values relating to minimum speed

12.1 VHA - PERFORMANCE

0,92 kW

n2 (a) [rpm]	n2 (b) [rpm]	M2 (a) [Nm]	M2 (b) [Nm]	fs (a)	fs (b)	i	Gear reducer	Motor	Fr2 [N]
69,0	12,0	102	167	2,9	1,8	14,50	VH010/A52	TP80C4	5636
69,0	12,0	102	167	4,3	2,8	14,50	VH010/A62	TP80C4	8000
59,0	10,0	119	195	2,6	1,7	16,91	VH010/A52	TP80C4	5933
59,0	10,0	119	195	4,4	2,8	16,91	VH010/A62	TP80C4	8000
49,0	8,3	144	236	2,1	1,3	20,46	VH010/A52	TP80C4	6000
49,0	8,3	144	236	3,3	2,1	20,46	VH010/A62	TP80C4	8000
39,0	6,7	179	293	1,6	1,0	25,43	VH010/A52	TP80C4	6000
39,0	6,7	179	293	2,5	1,6	25,43	VH010/A62	TP80C4	8000
33,0	5,7	210	344	1,5	1,0	29,89	VH010/A52	TP80C4	6000
33,0	5,7	210	344	2,2	1,4	29,89	VH010/A62	TP80C4	8000
28,0	4,7	254	417	1,9	1,2	36,17	VH010/A62	TP80C4	8000
22,0	3,8	316	518	1,5	0,9	44,95	VH010/A62	TP80C4	8000

1,10 kW

n2 (a) [rpm]	n2 (b) [rpm]	M2 (a) [Nm]	M2 (b) [Nm]	fs (a)	fs (b)	i	Gear reducer	Motor	Fr2 [N]
1312,0	373,0	7	8	5,6	5,1	1,45	VH005/A51	TP80B2	1459
645,0	183,0	13	17	2,8	2,5	2,94	VH005/A51	TP80B2	1848
456,0	78,0	19	51	5,3	2,3	4,38	VH010/A61	TP80B2	3888
400,0	114,0	22	28	2,1	2,0	4,75	VH005/A51	TP80B2	2167
400,0	68,0	21	29	4,4	3,4	2,50	VH010/A61	TP80D4/90S4	3233
353,0	100,0	24	31	3,1	2,8	5,38	VH005/A32	TP80B2	1134
353,0	100,0	24	31	5,3	4,9	5,38	VH005/A42	TP80B2	2388
348,0	99,0	25	32	1,9	1,7	5,45	VH005/A51	TP80B2	2270
292,0	83,0	29	38	2,5	2,3	6,52	VH005/A32	TP80B2	1209
292,0	83,0	29	38	4,4	4,0	6,52	VH005/A42	TP80B2	2546
258,0	44,0	33	90	2,4	1,1	7,75	VH010/A61	TP80B2	4500
241,0	69,0	36	46	1,0	0,9	7,88	VH005/A51	TP80B2	2565
234,0	67,0	36	47	1,9	1,7	8,11	VH005/A32	TP80B2	1301
234,0	67,0	36	47	3,3	3,0	8,11	VH005/A42	TP80B2	2739
228,0	39,0	37	51	3,1	2,4	4,38	VH010/A61	TP80D4/90S4	3899
194,0	33,0	43	59	5,8	4,4	5,14	VH010/A52	TP80D4/90S4	3630
174,0	49,0	49	63	1,7	1,5	10,94	VH005/A32	TP80B2	1437
174,0	49,0	49	63	2,8	2,6	10,94	VH005/A42	TP80B2	3025
171,0	29,0	50	134	5,1	2,3	11,67	VH010/A52	TP80B2	4756
163,0	46,0	52	67	4,9	4,5	11,67	VH005/A52	TP80B2	3864
161,0	27,0	52	72	4,8	3,7	6,22	VH010/A52	TP80D4/90S4	3868
143,0	41,0	59	76	1,2	1,1	13,25	VH005/A32	TP80B2	1532
143,0	41,0	59	76	2,2	2,0	13,25	VH005/A42	TP80B2	3225
138,0	23,0	62	167	4,1	1,8	14,50	VH010/A52	TP80B2	5114
131,0	37,0	65	84	4,0	3,6	14,50	VH005/A52	TP80B2	4155
131,0	37,0	65	84	5,9	5,4	14,50	VH005/A62	TP80B2	6132
129,0	22,0	65	89	3,8	3,0	7,73	VH010/A52	TP80D4/90S4	4158
129,0	22,0	66	90	1,4	1,1	7,75	VH010/A61	TP80D4/90S4	4500
118,0	20,0	72	195	3,8	1,7	16,91	VH010/A52	TP80B2	5383
115,0	33,0	74	95	1,0	0,9	16,49	VH005/A32	TP80B2	1648
115,0	33,0	74	95	1,7	1,6	16,49	VH005/A42	TP80B2	3469
112,0	32,0	76	97	3,6	3,3	16,91	VH005/A52	TP80B2	4373
104,0	18,0	81	111	3,9	3,0	9,64	VH010/A52	TP80D4/90S4	4476
104,0	18,0	81	111	5,9	4,5	9,64	VH010/A62	TP80D4/90S4	6606
98,0	17,0	87	236	3,0	1,3	20,46	VH010/A52	TP80B2	5736
98,0	17,0	87	236	4,8	2,1	20,46	VH010/A62	TP80B2	8000
94,0	27,0	91	117	1,5	1,4	20,26	VH005/A42	TP80B2	3716
93,0	26,0	92	118	2,9	2,7	20,46	VH005/A52	TP80B2	4660
93,0	26,0	92	118	4,6	4,2	20,46	VH005/A62	TP80B2	6878

(a) Values relating to maximum speed

(b) Values relating to minimum speed

1,10 kW

n2 (a) [rpm]	n2 (b) [rpm]	M2 (a) [Nm]	M2 (b) [Nm]	fs (a)	fs (b)	i	Gear reducer	Motor	Fr2 [N]
86,0	15,0	98	134	3,0	2,3	11,67	VH010/A52	TP80D4/90S4	4769
86,0	15,0	98	134	4,7	3,6	11,67	VH010/A62	TP80D4/90S4	7040
79,0	13,0	109	293	2,3	1,0	25,43	VH010/A52	TP80B2	6000
79,0	13,0	109	293	3,6	1,6	25,43	VH010/A62	TP80B2	8000
77,0	22,0	110	141	1,3	1,2	24,55	VH005/A42	TP80B2	3961
75,0	21,0	114	146	2,3	2,1	25,43	VH005/A52	TP80B2	5010
75,0	21,0	114	146	3,5	3,2	25,43	VH005/A62	TP80B2	7395
69,0	12,0	122	167	2,4	1,8	14,50	VH010/A52	TP80D4/90S4	5128
69,0	12,0	122	167	3,6	2,8	14,50	VH010/A62	TP80D4/90S4	7569
67,0	11,0	128	344	2,1	0,9	29,89	VH010/A52	TP80B2	6000
67,0	11,0	128	344	3,2	1,4	29,89	VH010/A62	TP80B2	8000
64,0	18,0	134	172	2,1	1,9	29,89	VH005/A52	TP80B2	5288
64,0	18,0	134	172	3,1	2,8	29,89	VH005/A62	TP80B2	7805
59,0	10,0	142	195	2,2	1,7	16,91	VH010/A52	TP80D4/90S4	5398
59,0	10,0	142	195	3,7	2,8	16,91	VH010/A62	TP80D4/90S4	7967
55,0	9,4	154	417	2,8	1,2	36,17	VH010/A62	TP80B2	8000
53,0	15,0	162	208	1,7	1,6	36,17	VH005/A52	TP80B2	5634
53,0	15,0	162	208	2,7	2,4	36,17	VH005/A62	TP80B2	8000
49,0	8,3	172	236	1,8	1,3	20,46	VH010/A52	TP80D4/90S4	5752
49,0	8,3	172	236	2,8	2,1	20,46	VH010/A62	TP80D4/90S4	8000
44,0	7,6	192	518	2,1	0,9	44,95	VH010/A62	TP80B2	8000
42,0	12,0	202	259	1,3	1,2	44,95	VH005/A52	TP80B2	6000
42,0	12,0	202	259	2,0	1,8	44,95	VH005/A62	TP80B2	8000
39,0	6,7	214	293	1,4	1,0	25,43	VH010/A52	TP80D4/90S4	6000
39,0	6,7	214	293	2,1	1,6	25,43	VH010/A62	TP80D4/90S4	8000
38,0	11,0	223	287	1,2	1,1	49,78	VH005/A52	TP80B2	6000
38,0	11,0	219	281	1,3	1,2	49,80	VH005/A53	TP80B2	6000
38,0	11,0	223	287	1,5	1,4	49,78	VH005/A62	TP80B2	8000
38,0	11,0	219	281	2,0	1,8	49,80	VH005/A63	TP80B2	8000
33,0	5,7	251	344	1,2	1,0	29,89	VH010/A52	TP80D4/90S4	6000
33,0	5,7	251	344	1,9	1,4	29,89	VH010/A62	TP80D4/90S4	8000
32,0	9,0	265	340	1,0	1,0	60,25	VH005/A53	TP80B2	6000
32,0	9,0	265	340	1,7	1,5	60,25	VH005/A63	TP80B2	8000
31,0	8,7	278	356	1,5	1,3	61,87	VH005/A62	TP80B2	8000
28,0	4,7	304	417	1,6	1,2	36,17	VH010/A62	TP80D4/90S4	8000
25,0	7,2	329	422	1,3	1,2	74,88	VH005/A63	TP80B2	8000
22,0	6,1	387	496	1,1	1,0	88,02	VH005/A63	TP80B2	8000
22,0	3,8	378	518	1,2	0,9	44,95	VH010/A62	TP80D4/90S4	8000

1,50 kW

n2 (a) [rpm]	n2 (b) [rpm]	M2 (a) [Nm]	M2 (b) [Nm]	fs (a)	fs (b)	i	Gear reducer	Motor	Fr2 [N]
800,0	136,0	15	29	5,5	3,4	2,50	VH010/A61	TP80C2/90S2	3036
456,0	78,0	26	51	3,9	2,3	4,38	VH010/A61	TP80C2/90S2	3661
321,0	55,0	36	72	6,0	3,6	6,22	VH010/A52	TP80C2/90S2	3632
259,0	44,0	45	89	4,8	2,9	7,73	VH010/A52	TP80C2/90S2	3905
258,0	44,0	46	90	1,8	1,1	7,75	VH010/A61	TP80C2/90S2	4426
207,0	35,0	56	111	4,8	2,9	9,64	VH010/A52	TP80C2/90S2	4203
171,0	29,0	68	134	3,7	2,3	11,67	VH010/A52	TP80C2/90S2	4478
171,0	29,0	68	134	5,9	3,6	11,67	VH010/A62	TP80C2/90S2	6610
138,0	23,0	84	167	3,0	1,8	14,50	VH010/A52	TP80C2/90S2	4815
138,0	23,0	84	167	4,5	2,7	14,50	VH010/A62	TP80C2/90S2	7107
118,0	20,0	98	195	2,8	1,7	16,91	VH010/A52	TP80C2/90S2	5068
118,0	20,0	98	195	4,6	2,8	16,91	VH010/A62	TP80C2/90S2	7481
98,0	17,0	119	236	2,2	1,3	20,46	VH010/A52	TP80C2/90S2	5401

(a) Values relating to maximum speed

(b) Values relating to minimum speed

1,50 kW

n2 (a) [rpm]	n2 (b) [rpm]	M2 (a) [Nm]	M2 (b) [Nm]	fs (a)	fs (b)	i	Gear reducer	Motor	Fr2 [N]
98,0	17,0	119	236	3,5	2,1	20,46	VH010/A62	TP80C2/90S2	7971
79,0	13,0	148	293	1,7	1,0	25,43	VH010/A52	TP80C2/90S2	5807
79,0	13,0	148	293	2,6	1,6	25,43	VH010/A62	TP80C2/90S2	8000
67,0	11,0	174	344	1,6	0,9	29,89	VH010/A52	TP80C2/90S2	6000
67,0	11,0	174	344	2,3	1,4	29,89	VH010/A62	TP80C2/90S2	8000
55,0	9,4	211	417	2,0	1,2	36,17	VH010/A62	TP80C2/90S2	8000
44,0	7,6	262	518	1,5	0,9	44,95	VH010/A62	TP80C2/90S2	8000

2,20 kW

n2 (a) [rpm]	n2 (b) [rpm]	M2 (a) [Nm]	M2 (b) [Nm]	fs (a)	fs (b)	i	Gear reducer	Motor	Fr2 [N]
760,0	216,0	23	29	3,7	3,3	2,50	VH010/A61	TP90L2	2619
433,0	123,0	40	51	2,5	2,3	4,38	VH010/A61	TP90L2	3159
370,0	105,0	46	59	4,8	4,4	5,14	VH010/A52	TP90L2	2941
305,0	87,0	56	72	4,0	3,6	6,22	VH010/A52	TP90L2	3134
246,0	70,0	69	89	3,2	2,9	7,73	VH010/A52	TP90L2	3369
246,0	70,0	69	89	5,0	4,6	7,73	VH010/A62	TP90L2	4973
245,0	70,0	70	90	1,2	1,1	7,75	VH010/A61	TP90L2	3819
197,0	56,0	87	111	3,2	2,9	9,64	VH010/A52	TP90L2	3626
197,0	56,0	87	111	4,9	4,5	9,64	VH010/A62	TP90L2	5353
163,0	46,0	105	134	2,5	2,2	11,67	VH010/A52	TP90L2	3864
163,0	46,0	105	134	3,9	3,5	11,67	VH010/A62	TP90L2	5704
131,0	37,0	130	167	2,0	1,8	14,50	VH010/A52	TP90L2	4155
131,0	37,0	130	167	3,0	2,7	14,50	VH010/A62	TP90L2	6132
112,0	32,0	152	195	1,8	1,7	16,91	VH010/A52	TP90L2	4373
112,0	32,0	152	195	3,0	2,8	16,91	VH010/A62	TP90L2	6455
93,0	26,0	184	236	1,5	1,3	20,46	VH010/A52	TP90L2	4660
93,0	26,0	184	236	2,3	2,1	20,46	VH010/A62	TP90L2	6878
75,0	21,0	228	293	1,1	1,0	25,43	VH010/A52	TP90L2	5010
75,0	21,0	228	293	1,7	1,6	25,43	VH010/A62	TP90L2	7395
64,0	18,0	268	344	1,0	0,9	29,89	VH010/A52	TP90L2	5288
64,0	18,0	268	344	1,5	1,4	29,89	VH010/A62	TP90L2	7805
53,0	15,0	325	417	1,3	1,2	36,17	VH010/A62	TP90L2	8000
42,0	12,0	404	518	1,0	0,9	44,95	VH010/A62	TP90L2	8000

(a) Values relating to maximum speed

(b) Values relating to minimum speed

0,09 kW

n2 (a) [rpm]	n2 (b) [rpm]	M2 (a) [Nm]	M2 (b) [Nm]	fs (a)	fs (b)	i	Gear reducer	Motor	Fr2 [N]
19,0	3,7	36	126	6,0	1,7	32,89	VH003/032	TS63A6	5500
16,0	3,2	42	146	5,2	1,5	37,92	VH003/032	TS63A6	5500
15,0	3,0	45	159	4,7	1,4	41,40	VH003/032	TS63A6	5500
13,0	2,6	52	181	4,1	1,2	47,25	VH003/032	TS63A6	5500
11,0	2,3	58	201	3,7	1,1	53,59	VH003/033	TS63A6	5500
9,9	2,0	66	232	4,9	1,4	61,83	VH003/043	TS63A6	6600
8,0	1,6	82	288	3,9	1,1	76,67	VH003/043	TS63A6	6600
7,0	1,4	93	327	3,4	1,0	87,05	VH003/043	TS63A6	6600

0,12 kW

n2 (a) [rpm]	n2 (b) [rpm]	M2 (a) [Nm]	M2 (b) [Nm]	fs (a)	fs (b)	i	Gear reducer	Motor	Fr2 [N]
100,0	20,0	9	24	6,0	2,3	6,09	VH003/041	TS63B6	1000
80,0	16,0	11	30	4,7	1,8	7,67	VH003/041	TS63B6	1000
70,0	14,0	13	34	4,6	1,8	8,75	VH003/041	TS63B6	1000
25,0	5,0	37	146	5,7	1,5	37,92	VH003/032	TS63A4	5500
23,0	4,6	39	101	5,6	2,2	26,39	VH003/032	TS63B6	5500
23,0	4,6	40	159	5,2	1,4	41,40	VH003/032	TS63A4	5500
21,0	4,1	43	114	4,9	1,9	29,70	VH003/032	TS63B6	5500
20,0	4,0	45	181	4,6	1,2	47,25	VH003/032	TS63A4	5500
19,0	3,7	48	126	4,5	1,7	32,89	VH003/032	TS63B6	5500
18,0	3,5	51	201	4,1	1,1	53,59	VH003/033	TS63A4	5500
16,0	3,2	55	146	3,9	1,5	37,92	VH003/032	TS63B6	5500
15,0	3,1	58	232	5,4	1,4	61,83	VH003/043	TS63A4	6600
15,0	3,0	61	159	3,5	1,4	41,40	VH003/032	TS63B6	5500
13,0	2,6	69	181	3,1	1,2	47,25	VH003/032	TS63B6	5500
12,0	2,5	72	288	4,3	1,1	76,67	VH003/043	TS63A4	6600
11,0	2,3	77	201	2,8	1,1	53,59	VH003/033	TS63B6	5500
11,0	2,2	82	327	3,8	1,0	87,05	VH003/043	TS63A4	6600
9,9	2,0	88	232	3,6	1,4	61,83	VH003/043	TS63B6	6600
8,0	1,6	110	288	2,9	1,1	76,67	VH003/043	TS63B6	6600
7,0	1,4	125	327	2,6	1,0	87,05	VH003/043	TS63B6	6600

0,15 kW

n2 (a) [rpm]	n2 (b) [rpm]	M2 (a) [Nm]	M2 (b) [Nm]	fs (a)	fs (b)	i	Gear reducer	Motor	Fr2 [N]
122,0	24,0	9	19	5,2	2,5	5,00	VH003/041	TS63C6	1000
111,0	22,0	10	21	5,3	2,6	5,50	VH003/041	TS63C6	1000
100,0	20,0	11	24	4,8	2,3	6,09	VH003/041	TS63C6	1000
80,0	16,0	14	30	3,8	1,8	7,67	VH003/041	TS63C6	1000
70,0	14,0	16	34	3,7	1,8	8,75	VH003/041	TS63C6	1000
31,0	6,1	36	76	5,9	2,9	19,90	VH003/032	TS63C6	5500
27,0	5,4	41	87	5,2	2,5	22,68	VH003/032	TS63C6	5500
26,0	5,1	44	92	4,9	2,4	23,83	VH003/032	TS63C6	5500
23,0	4,6	48	101	4,5	2,2	26,39	VH003/032	TS63C6	5500
21,0	4,1	54	114	4,0	1,9	29,70	VH003/032	TS63C6	5500
19,0	3,7	60	126	3,6	1,7	32,89	VH003/032	TS63C6	5500
16,0	3,2	69	146	3,1	1,5	37,92	VH003/032	TS63C6	5500
15,0	3,0	76	159	2,8	1,4	41,40	VH003/032	TS63C6	5500
13,0	2,6	86	181	2,5	1,2	47,25	VH003/032	TS63C6	5500
11,0	2,3	96	201	2,2	1,1	53,59	VH003/033	TS63C6	5500
9,9	2,0	111	232	2,9	1,4	61,83	VH003/043	TS63C6	6600

(a) Values relating to maximum speed

(b) Values relating to minimum speed

12.2 VH - PERFORMANCE

0,15 kW

n2 (a) [rpm]	n2 (b) [rpm]	M2 (a) [Nm]	M2 (b) [Nm]	fs (a)	fs (b)	i	Gear reducer	Motor	Fr2 [N]
8,0	1,6	137	288	2,3	1,1	76,67	VH003/043	TS63C6	6600
7,0	1,4	156	327	2,1	1,0	87,05	VH003/043	TS63C6	6600

0,18 kW

n2 (a) [rpm]	n2 (b) [rpm]	M2 (a) [Nm]	M2 (b) [Nm]	fs (a)	fs (b)	i	Gear reducer	Motor	Fr2 [N]
240,0	48,0	6	10	5,7	3,3	2,55	VH003/041	TS71A6	1000
240,0	48,0	6	15	5,7	2,2	2,55	VH005/041	TS71A6	1000
225,0	45,0	6	11	5,4	3,1	2,71	VH003/041	TS71A6	1000
225,0	45,0	6	16	5,4	2,1	2,71	VH005/041	TS71A6	1000
156,0	31,0	9	24	5,9	2,3	6,09	VH003/041	TS63B4	1000
145,0	29,0	9	16	5,2	3,0	4,20	VH003/041	TS71A6	1000
145,0	29,0	9	24	5,2	2,0	4,20	VH005/041	TS71A6	1000
124,0	25,0	11	30	4,7	1,8	7,67	VH003/041	TS63B4	1000
122,0	24,0	11	19	4,4	2,5	5,00	VH003/041	TS71A6	1000
122,0	24,0	11	29	4,4	1,7	5,00	VH005/041	TS71A6	1000
111,0	22,0	12	21	4,4	2,6	5,50	VH003/041	TS71A6	1000
111,0	22,0	12	32	4,4	1,7	5,50	VH005/041	TS71A6	1000
109,0	22,0	13	34	4,5	1,8	8,75	VH003/041	TS63B4	1000
100,0	20,0	13	24	4,0	2,3	6,09	VH003/041	TS71A6	1000
100,0	20,0	13	35	4,0	1,5	6,09	VH005/041	TS71A6	1000
80,0	16,0	17	30	3,2	1,8	7,67	VH003/041	TS71A6	1000
80,0	16,0	17	45	3,2	1,2	7,67	VH005/041	TS71A6	1000
73,0	15,0	19	49	5,8	2,3	8,38	VH005/051	TS71A6	2500
70,0	14,0	19	34	3,0	1,8	8,75	VH003/041	TS71A6	1000
70,0	14,0	19	51	3,0	1,2	8,75	VH005/041	TS71A6	1000
42,0	8,3	32	56	5,7	3,3	14,66	VH003/032	TS71A6	5500
42,0	8,3	32	84	5,7	2,2	14,66	VH005/032	TS71A6	5500
36,0	7,3	37	64	5,6	3,2	16,77	VH003/032	TS71A6	5500
36,0	7,3	37	97	5,6	2,2	16,77	VH005/032	TS71A6	5500
36,0	7,2	38	101	5,5	2,2	26,39	VH003/032	TS63B4	5500
34,0	6,7	40	70	5,4	3,1	18,20	VH003/032	TS71A6	5500
34,0	6,7	40	105	5,4	2,1	18,20	VH005/032	TS71A6	5500
32,0	6,4	43	114	4,9	1,9	29,70	VH003/032	TS63B4	5500
31,0	6,1	44	76	4,9	2,9	19,90	VH003/032	TS71A6	5500
31,0	6,1	44	115	4,9	1,9	19,90	VH005/032	TS71A6	5500
29,0	5,8	48	126	4,4	1,7	32,89	VH003/032	TS63B4	5500
29,0	5,8	46	121	5,8	2,3	21,00	VH005/042	TS71A6	6600
27,0	5,4	50	87	4,3	2,5	22,68	VH003/032	TS71A6	5500
27,0	5,4	50	131	4,3	1,7	22,68	VH005/032	TS71A6	5500
26,0	5,3	51	133	5,5	2,1	23,15	VH005/042	TS71A6	6600
26,0	5,1	52	92	4,1	2,4	23,83	VH003/032	TS71A6	5500
26,0	5,1	52	137	4,1	1,6	23,83	VH005/032	TS71A6	5500
25,0	5,0	55	146	3,8	1,5	37,92	VH003/032	TS63B4	5500
23,0	4,7	57	150	4,9	1,9	26,04	VH005/042	TS71A6	6600
23,0	4,6	58	101	3,7	2,2	26,39	VH003/032	TS71A6	5500
23,0	4,6	60	159	3,5	1,4	41,40	VH003/032	TS63B4	5500
23,0	4,6	58	152	3,7	1,4	26,39	VH005/032	TS71A6	5500
22,0	4,4	60	158	5,0	1,9	27,50	VH005/042	TS71A6	6600
21,0	4,1	65	114	3,3	1,9	29,70	VH003/032	TS71A6	5500
21,0	4,1	65	171	3,3	1,3	29,70	VH005/032	TS71A6	5500
20,0	4,0	68	181	3,1	1,2	47,25	VH003/032	TS63B4	5500
20,0	4,0	67	175	4,5	1,8	30,45	VH005/042	TS71A6	6600
19,0	3,7	72	126	3,0	1,7	32,89	VH003/032	TS71A6	5500
19,0	3,7	72	189	3,0	1,2	32,89	VH005/032	TS71A6	5500

(a) Values relating to maximum speed

(b) Values relating to minimum speed

12.2 VH - PERFORMANCE

0,18 kW

n2 (a) [rpm]	n2 (b) [rpm]	M2 (a) [Nm]	M2 (b) [Nm]	fs (a)	fs (b)	i	Gear reducer	Motor	Fr2 [N]
18,0	3,6	75	196	4,0	1,6	34,10	VH005/042	TS71A6	6600
18,0	3,5	76	201	2,8	1,1	53,59	VH003/033	TS63B4	5500
16,0	3,2	83	146	2,6	1,5	37,92	VH003/032	TS71A6	5500
16,0	3,2	83	218	2,6	1,0	37,92	VH005/032	TS71A6	5500
16,0	3,2	83	218	3,6	1,4	37,76	VH005/042	TS71A6	6600
15,0	3,1	87	232	3,6	1,4	61,83	VH003/043	TS63B4	6600
15,0	3,0	91	159	2,4	1,4	41,40	VH003/032	TS71A6	5500
15,0	3,0	91	238	2,4	0,9	41,40	VH005/032	TS71A6	5500
14,0	2,8	96	252	3,1	1,2	43,75	VH005/042	TS71A6	6600
13,0	2,7	99	261	5,3	2,1	45,36	VH005/052	TS71A6	8000
13,0	2,6	104	181	2,1	1,2	47,25	VH003/032	TS71A6	5500
13,0	2,6	104	274	2,9	1,1	47,53	VH005/042	TS71A6	6600
12,0	2,5	108	288	2,9	1,1	76,67	VH003/043	TS63B4	6600
12,0	2,5	108	283	4,9	1,9	49,13	VH005/052	TS71A6	8000
11,0	2,3	115	201	1,9	1,1	53,59	VH003/033	TS71A6	5500
11,0	2,3	119	312	2,5	1,0	54,25	VH005/042	TS71A6	6600
11,0	2,2	123	327	2,5	1,0	87,05	VH003/043	TS63B4	6600
11,0	2,2	123	323	4,3	1,7	56,11	VH005/052	TS71A6	8000
10,0	2,1	126	332	4,3	1,7	58,81	VH005/053	TS71A6	8000
9,9	2,0	133	232	2,4	1,4	61,83	VH003/043	TS71A6	6600
9,9	2,0	133	349	2,4	0,9	61,83	VH005/043	TS71A6	6600
8,4	1,7	156	410	3,4	1,3	72,75	VH005/053	TS71A6	8000
8,0	1,6	165	288	2,0	1,1	76,67	VH003/043	TS71A6	6600
7,0	1,4	187	327	1,7	1,0	87,05	VH003/043	TS71A6	6600
6,7	1,3	194	510	2,8	1,1	90,51	VH005/053	TS71A6	8000

0,22 kW

n2 (a) [rpm]	n2 (b) [rpm]	M2 (a) [Nm]	M2 (b) [Nm]	fs (a)	fs (b)	i	Gear reducer	Motor	Fr2 [N]
190,0	38,0	9	19	5,3	2,5	5,00	VH003/041	TS63C4	1000
173,0	35,0	10	21	5,3	2,6	5,50	VH003/041	TS63C4	1000
156,0	31,0	11	24	4,8	2,3	6,09	VH003/041	TS63C4	1000
124,0	25,0	14	30	3,8	1,8	7,67	VH003/041	TS63C4	1000
109,0	22,0	16	34	3,7	1,8	8,75	VH003/041	TS63C4	1000
48,0	9,5	35	76	6,0	2,9	19,90	VH003/032	TS63C4	5500
42,0	8,4	40	87	5,2	2,5	22,68	VH003/032	TS63C4	5500
40,0	8,0	42	92	5,0	2,4	23,83	VH003/032	TS63C4	5500
36,0	7,2	47	101	4,5	2,2	26,39	VH003/032	TS63C4	5500
32,0	6,4	52	114	4,0	1,9	29,70	VH003/032	TS63C4	5500
29,0	5,8	58	126	3,6	1,7	32,89	VH003/032	TS63C4	5500
25,0	5,0	67	146	3,1	1,5	37,92	VH003/032	TS63C4	5500
23,0	4,6	73	159	2,9	1,4	41,40	VH003/032	TS63C4	5500
20,0	4,0	83	181	2,5	1,2	47,25	VH003/032	TS63C4	5500
18,0	3,5	93	201	2,3	1,1	53,59	VH003/033	TS63C4	5500
15,0	3,1	107	232	2,9	1,4	61,83	VH003/043	TS63C4	6600
12,0	2,5	133	288	2,4	1,1	76,67	VH003/043	TS63C4	6600
11,0	2,2	150	327	2,1	1,0	87,05	VH003/043	TS63C4	6600

0,25 kW

n2 (a) [rpm]	n2 (b) [rpm]	M2 (a) [Nm]	M2 (b) [Nm]	fs (a)	fs (b)	i	Gear reducer	Motor	Fr2 [N]
350,0	70,0	6	11	5,7	3,1	2,71	VH003/041	TS63D4/71A4	1000

(a) Values relating to maximum speed

(b) Values relating to minimum speed

12.2 VH - PERFORMANCE

0,25 kW

n2 (a) [rpm]	n2 (b) [rpm]	M2 (a) [Nm]	M2 (b) [Nm]	fs (a)	fs (b)	i	Gear reducer	Motor	Fr2 [N]
350,0	70,0	6	16	5,7	2,1	2,71	VH005/041	TS71A4	1000
305,0	61,0	6	8	4,4	3,5	2,00	VH003/041	TS71B6	1000
305,0	61,0	6	12	4,4	2,4	2,00	VH005/041	TS71B6	1000
248,0	50,0	8	30	5,8	1,8	7,67	VH003/041	TS63B2	1000
240,0	48,0	8	10	4,1	3,3	2,55	VH003/041	TS71B6	1000
240,0	48,0	8	15	4,1	2,2	2,55	VH005/041	TS71B6	1000
226,0	45,0	8	16	5,5	3,0	4,20	VH003/041	TS63D4/71A4	1000
226,0	45,0	8	24	5,5	2,0	4,20	VH005/041	TS71A4	1000
225,0	45,0	8	11	3,9	3,1	2,71	VH003/041	TS71B6	1000
225,0	45,0	8	16	3,9	2,1	2,71	VH005/041	TS71B6	1000
217,0	43,0	9	34	5,6	1,8	8,75	VH003/041	TS63B2	1000
197,0	39,0	10	12	4,5	3,6	3,11	VH003/041	TS71B6	1000
197,0	39,0	10	18	4,5	2,4	3,11	VH005/041	TS71B6	1000
190,0	38,0	10	19	4,6	2,5	5,00	VH003/041	TS63D4/71A4	1000
190,0	38,0	10	29	4,6	1,7	5,00	VH005/041	TS71A4	1000
173,0	35,0	11	21	4,7	2,6	5,50	VH003/041	TS63D4/71A4	1000
173,0	35,0	11	32	4,7	1,7	5,50	VH005/041	TS71A4	1000
170,0	34,0	11	14	4,4	3,5	3,59	VH003/041	TS71B6	1000
170,0	34,0	11	21	4,4	2,4	3,59	VH005/041	TS71B6	1000
156,0	31,0	12	24	4,2	2,3	6,09	VH003/041	TS63D4/71A4	1000
156,0	31,0	12	35	4,2	1,5	6,09	VH005/041	TS71A4	1000
145,0	29,0	13	16	3,7	3,0	4,20	VH003/041	TS71B6	1000
145,0	29,0	13	24	3,7	2,0	4,20	VH005/041	TS71B6	1000
124,0	25,0	16	30	3,4	1,8	7,67	VH003/041	TS63D4/71A4	1000
124,0	25,0	16	45	3,4	1,2	7,67	VH005/041	TS71A4	1000
122,0	24,0	15	19	3,1	2,5	5,00	VH003/041	TS71B6	1000
122,0	24,0	15	29	3,1	1,7	5,00	VH005/041	TS71B6	1000
111,0	22,0	17	21	3,2	2,6	5,50	VH003/041	TS71B6	1000
111,0	22,0	17	32	3,2	1,7	5,50	VH005/041	TS71B6	1000
109,0	22,0	18	34	3,2	1,8	8,75	VH003/041	TS63D4/71A4	1000
109,0	22,0	18	51	3,2	1,2	8,75	VH005/041	TS71A4	1000
105,0	21,0	18	34	6,0	3,2	5,82	VH005/051	TS71B6	2500
100,0	20,0	19	24	2,9	2,3	6,09	VH003/041	TS71B6	1000
100,0	20,0	19	35	2,9	1,5	6,09	VH005/041	TS71B6	1000
98,0	20,0	19	24	5,9	4,8	6,23	VH003/032	TS71B6	5500
98,0	20,0	19	36	5,9	3,2	6,23	VH005/032	TS71B6	5500
83,0	17,0	23	43	4,8	2,6	7,33	VH005/051	TS71B6	2500
80,0	16,0	24	30	2,3	1,8	7,67	VH003/041	TS71B6	1000
80,0	16,0	24	45	2,3	1,2	7,67	VH005/041	TS71B6	1000
79,0	16,0	24	30	5,7	4,6	7,76	VH003/032	TS71B6	5500
79,0	16,0	24	45	5,7	3,1	7,76	VH005/032	TS71B6	5500
73,0	15,0	26	49	4,2	2,3	8,38	VH005/051	TS71B6	2500
70,0	14,0	27	34	2,2	1,8	8,75	VH003/041	TS71B6	1000
70,0	14,0	27	51	2,2	1,2	8,75	VH005/041	TS71B6	1000
69,0	14,0	27	34	5,2	4,2	8,87	VH003/032	TS71B6	5500
69,0	14,0	27	51	5,2	2,8	8,87	VH005/032	TS71B6	5500
60,0	12,0	31	39	4,9	3,9	10,14	VH003/032	TS71B6	5500
60,0	12,0	31	58	4,9	2,6	10,14	VH005/032	TS71B6	5500
58,0	12,0	34	126	5,5	1,7	32,89	VH003/032	TS63B2	5500
57,0	11,0	34	64	5,9	3,2	16,77	VH003/032	TS63D4/71A4	5500
57,0	11,0	34	97	5,9	2,2	16,77	VH005/032	TS71A4	5500
52,0	10,0	36	45	4,3	3,5	11,76	VH003/032	TS71B6	5500
52,0	10,0	37	70	5,7	3,1	18,20	VH003/032	TS63D4/71A4	5500
52,0	10,0	36	68	4,3	2,3	11,76	VH005/032	TS71B6	5500
52,0	10,0	37	105	5,7	2,1	18,20	VH005/032	TS71A4	5500
50,0	10,0	39	146	4,8	1,5	37,92	VH003/032	TS63B2	5500
48,0	9,5	40	76	5,2	2,9	19,90	VH003/032	TS63D4/71A4	5500
48,0	9,5	40	115	5,2	1,9	19,90	VH005/032	TS71A4	5500

(a) Values relating to maximum speed

(b) Values relating to minimum speed

0,25 kW

n2 (a) [rpm]	n2 (b) [rpm]	M2 (a) [Nm]	M2 (b) [Nm]	fs (a)	fs (b)	i	Gear reducer	Motor	Fr2 [N]
46,0	9,2	42	159	4,4	1,4	41,40	VH003/032	TS63B2	5500
45,0	8,9	42	53	4,4	3,5	13,72	VH003/032	TS71B6	5500
45,0	8,9	42	79	4,4	2,4	13,72	VH005/032	TS71B6	5500
42,0	8,4	45	87	4,6	2,5	22,68	VH003/032	TS63D4/71A4	5500
42,0	8,4	45	131	4,6	1,7	22,68	VH005/032	TS71A4	5500
42,0	8,3	45	56	4,1	3,3	14,66	VH003/032	TS71B6	5500
42,0	8,3	45	84	4,1	2,2	14,66	VH005/032	TS71B6	5500
41,0	8,2	46	133	5,9	2,1	23,15	VH005/042	TS71A4	6600
40,0	8,0	48	92	4,4	2,4	23,83	VH003/032	TS63D4/71A4	5500
40,0	8,0	48	181	3,8	1,2	47,25	VH003/032	TS63B2	5500
40,0	8,0	48	137	4,4	1,6	23,83	VH005/032	TS71A4	5500
38,0	7,7	49	92	5,5	3,0	15,96	VH005/042	TS71B6	6600
36,0	7,3	51	64	4,0	3,2	16,77	VH003/032	TS71B6	5500
36,0	7,3	51	97	4,0	2,2	16,77	VH005/032	TS71B6	5500
36,0	7,3	52	150	5,2	1,9	26,04	VH005/042	TS71A4	6600
36,0	7,2	53	101	4,0	2,2	26,39	VH003/032	TS63D4/71A4	5500
36,0	7,2	53	152	4,0	1,4	26,39	VH005/032	TS71A4	5500
35,0	7,1	54	201	3,4	1,1	53,59	VH003/033	TS63B2	5500
35,0	6,9	55	158	5,3	1,9	27,50	VH005/042	TS71A4	6600
34,0	6,7	55	70	3,9	3,1	18,20	VH003/032	TS71B6	5500
34,0	6,7	55	105	3,9	2,1	18,20	VH005/032	TS71B6	5500
32,0	6,4	60	114	3,5	1,9	29,70	VH003/032	TS63D4/71A4	5500
32,0	6,4	60	171	3,5	1,3	29,70	VH005/032	TS71A4	5500
32,0	6,4	58	109	4,6	2,5	19,00	VH005/042	TS71B6	6600
31,0	6,2	61	175	4,8	1,7	30,45	VH005/042	TS71A4	6600
31,0	6,1	61	76	3,5	2,9	19,90	VH003/032	TS71B6	5500
31,0	6,1	62	232	4,5	1,4	61,83	VH003/043	TS63B2	6600
31,0	6,1	61	115	3,5	1,9	19,90	VH005/032	TS71B6	5500
29,0	5,8	66	126	3,2	1,7	32,89	VH003/032	TS63D4/71A4	5500
29,0	5,8	66	189	3,2	1,2	32,89	VH005/032	TS71A4	5500
29,0	5,8	64	121	4,2	2,3	21,00	VH005/042	TS71B6	6600
28,0	5,6	68	196	4,3	1,6	34,10	VH005/042	TS71A4	6600
27,0	5,4	69	87	3,1	2,5	22,68	VH003/032	TS71B6	5500
27,0	5,4	69	131	3,1	1,7	22,68	VH005/032	TS71B6	5500
26,0	5,3	70	133	4,0	2,1	23,15	VH005/042	TS71B6	6600
26,0	5,1	73	92	3,0	2,4	23,83	VH003/032	TS71B6	5500
26,0	5,1	73	137	3,0	1,6	23,83	VH005/032	TS71B6	5500
25,0	5,0	76	146	2,8	1,5	37,92	VH003/032	TS63D4/71A4	5500
25,0	5,0	77	288	3,6	1,1	76,67	VH003/043	TS63B2	6600
25,0	5,0	76	218	2,8	1,0	37,92	VH005/032	TS71A4	5500
25,0	5,0	76	218	3,9	1,4	37,76	VH005/042	TS71A4	6600
23,0	4,7	79	150	3,5	1,9	26,04	VH005/042	TS71B6	6600
23,0	4,6	80	101	2,7	2,2	26,39	VH003/032	TS71B6	5500
23,0	4,6	83	159	2,5	1,4	41,40	VH003/032	TS63D4/71A4	5500
23,0	4,6	80	152	2,7	1,4	26,39	VH005/032	TS71B6	5500
23,0	4,6	83	238	2,5	0,9	41,40	VH005/032	TS71A4	5500
22,0	4,4	87	327	3,2	1,0	87,05	VH003/043	TS63B2	6600
22,0	4,4	84	158	3,6	1,9	27,50	VH005/042	TS71B6	6600
22,0	4,3	88	252	3,3	1,2	43,75	VH005/042	TS71A4	6600
21,0	4,2	91	261	5,6	2,1	45,36	VH005/052	TS71A4	8000
21,0	4,1	90	114	2,4	1,9	29,70	VH003/032	TS71B6	5500
21,0	4,1	90	171	2,4	1,3	29,70	VH005/032	TS71B6	5500
20,0	4,0	95	181	2,2	1,2	47,25	VH003/032	TS63D4/71A4	5500
20,0	4,0	93	175	3,2	1,8	30,45	VH005/042	TS71B6	6600
20,0	4,0	95	274	3,1	1,1	47,53	VH005/042	TS71A4	6600
19,0	3,9	96	182	5,5	3,0	31,52	VH005/052	TS71B6	8000
19,0	3,9	99	283	5,2	1,9	49,13	VH005/052	TS71A4	8000
19,0	3,7	100	126	2,1	1,7	32,89	VH003/032	TS71B6	5500

(a) Values relating to maximum speed

(b) Values relating to minimum speed

0,25 kW

n2 (a) [rpm]	n2 (b) [rpm]	M2 (a) [Nm]	M2 (b) [Nm]	fs (a)	fs (b)	i	Gear reducer	Motor	Fr2 [N]
19,0	3,7	100	189	2,1	1,2	32,89	VH005/032	TS71B6	5500
19,0	3,7	100	190	5,2	2,8	33,00	VH005/052	TS71B6	8000
18,0	3,6	104	196	2,9	1,6	34,10	VH005/042	TS71B6	6600
18,0	3,5	105	201	2,0	1,1	53,59	VH003/033	TS63D4/71A4	5500
18,0	3,5	109	312	2,7	1,0	54,25	VH005/042	TS71A4	6600
17,0	3,4	113	323	4,6	1,7	56,11	VH005/052	TS71A4	8000
16,0	3,2	115	146	1,9	1,5	37,92	VH003/032	TS71B6	5500
16,0	3,2	115	218	1,9	1,0	37,92	VH005/032	TS71B6	5500
16,0	3,2	115	218	2,6	1,4	37,76	VH005/042	TS71B6	6600
16,0	3,2	116	332	4,5	1,7	58,81	VH005/053	TS71A4	8000
16,0	3,1	119	225	4,4	2,4	38,98	VH005/052	TS71B6	8000
15,0	3,1	121	232	2,6	1,4	61,83	VH003/043	TS63D4/71A4	6600
15,0	3,1	121	349	2,6	0,9	61,83	VH005/043	TS71A4	6600
15,0	3,0	126	159	1,7	1,4	41,40	VH003/032	TS71B6	5500
15,0	3,0	126	238	1,7	0,9	41,40	VH005/032	TS71B6	5500
14,0	2,8	133	252	2,3	1,2	43,75	VH005/042	TS71B6	6600
13,0	2,7	138	261	3,8	2,1	45,36	VH005/052	TS71B6	8000
13,0	2,6	144	181	1,5	1,2	47,25	VH003/032	TS71B6	5500
13,0	2,6	145	274	2,1	1,1	47,53	VH005/042	TS71B6	6600
13,0	2,6	143	410	3,7	1,3	72,75	VH005/053	TS71A4	8000
12,0	2,5	151	288	2,1	1,1	76,67	VH003/043	TS63D4/71A4	6600
12,0	2,5	150	283	3,5	1,9	49,13	VH005/052	TS71B6	8000
11,0	2,3	160	201	1,3	1,1	53,59	VH003/033	TS71B6	5500
11,0	2,3	165	312	1,8	1,0	54,25	VH005/042	TS71B6	6600
11,0	2,2	171	327	1,8	1,0	87,05	VH003/043	TS63D4/71A4	6600
11,0	2,2	171	323	3,1	1,7	56,11	VH005/052	TS71B6	8000
10,0	2,1	175	332	3,1	1,7	58,81	VH005/053	TS71B6	8000
10,0	2,1	178	510	2,9	1,1	90,51	VH005/053	TS71A4	8000
9,9	2,0	184	232	1,7	1,4	61,83	VH003/043	TS71B6	6600
9,9	2,0	184	349	1,7	0,9	61,83	VH005/043	TS71B6	6600
8,4	1,7	217	410	2,5	1,3	72,75	VH005/053	TS71B6	8000
8,0	1,6	229	288	1,4	1,1	76,67	VH003/043	TS71B6	6600
7,0	1,4	260	327	1,2	1,0	87,05	VH003/043	TS71B6	6600
6,7	1,3	270	510	2,0	1,1	90,51	VH005/053	TS71B6	8000

0,37 kW

n2 (a) [rpm]	n2 (b) [rpm]	M2 (a) [Nm]	M2 (b) [Nm]	fs (a)	fs (b)	i	Gear reducer	Motor	Fr2 [N]
475,0	95,0	6	8	4,4	3,5	2,00	VH003/041	TS71B4	971
475,0	95,0	6	12	4,4	2,4	2,00	VH005/041	TS71B4	1000
425,0	85,0	6	8	4,1	3,3	1,44	VH005/041	TS71C6/80A6	1000
380,0	76,0	8	19	5,4	2,5	5,00	VH003/041	TS63C2/71A2	1000
380,0	76,0	8	29	5,4	1,7	5,00	VH005/041	TS71A2	1000
373,0	75,0	8	10	4,1	3,3	2,55	VH003/041	TS71B4	1000
373,0	75,0	8	15	4,1	2,2	2,55	VH005/041	TS71B4	1000
350,0	70,0	8	11	3,9	3,1	2,71	VH003/041	TS71B4	1000
350,0	70,0	8	16	3,9	2,1	2,71	VH005/041	TS71B4	1000
346,0	69,0	8	21	5,5	2,5	5,50	VH003/041	TS63C2/71A2	1000
346,0	69,0	8	32	5,5	1,7	5,50	VH005/041	TS71A2	1000
312,0	62,0	9	24	5,0	2,3	6,09	VH003/041	TS63C2/71A2	1000
312,0	62,0	9	35	5,0	1,5	6,09	VH005/041	TS71A2	1000
306,0	61,0	9	12	4,5	3,6	3,11	VH003/041	TS71B4	1000
306,0	61,0	9	18	4,5	2,4	3,11	VH005/041	TS71B4	1000
305,0	61,0	9	12	2,9	2,4	2,00	VH005/041	TS71C6/80A6	1000
265,0	53,0	11	14	4,4	3,5	3,59	VH003/041	TS71B4	1000

(a) Values relating to maximum speed

(b) Values relating to minimum speed

0,37 kW

n2 (a) [rpm]	n2 (b) [rpm]	M2 (a) [Nm]	M2 (b) [Nm]	fs (a)	fs (b)	i	Gear reducer	Motor	Fr2 [N]
265,0	53,0	11	21	4,4	2,4	3,59	VH005/041	TS71B4	1000
248,0	50,0	12	30	3,9	1,8	7,67	VH003/041	TS63C2/71A2	1000
248,0	50,0	12	45	3,9	1,2	7,67	VH005/041	TS71A2	1000
240,0	48,0	12	15	2,8	2,2	2,55	VH005/041	TS71C6/80A6	1000
226,0	45,0	13	16	3,7	3,0	4,20	VH003/041	TS71B4	1000
226,0	45,0	13	24	3,7	2,0	4,20	VH005/041	TS71B4	1000
225,0	45,0	12	16	2,6	2,1	2,71	VH005/041	TS71C6/80A6	1000
217,0	43,0	13	34	3,8	1,8	8,75	VH003/041	TS63C2/71A2	1000
217,0	43,0	13	51	3,8	1,2	8,75	VH005/041	TS71A2	1000
197,0	39,0	14	18	3,0	2,4	3,11	VH005/041	TS71C6/80A6	1000
193,0	39,0	14	18	6,0	4,8	3,17	VH005/051	TS71C6/80A6	2500
193,0	39,0	14	37	6,0	2,4	3,17	VH010/051	TS80A6	2500
190,0	38,0	15	19	3,1	2,5	5,00	VH003/041	TS71B4	1000
190,0	38,0	15	29	3,1	1,7	5,00	VH005/041	TS71B4	1000
173,0	35,0	16	21	3,2	2,6	5,50	VH003/041	TS71B4	1000
173,0	35,0	16	32	3,2	1,7	5,50	VH005/041	TS71B4	1000
170,0	34,0	16	21	3,0	2,4	3,59	VH005/041	TS71C6/80A6	1000
166,0	33,0	17	21	5,8	4,6	3,69	VH005/051	TS71C6/80A6	2500
166,0	33,0	17	43	5,8	2,3	3,69	VH010/051	TS80A6	2500
163,0	33,0	17	34	6,0	3,2	5,82	VH005/051	TS71B4	2500
156,0	31,0	18	24	2,9	2,3	6,09	VH003/041	TS71B4	1000
156,0	31,0	18	35	2,9	1,5	6,09	VH005/041	TS71B4	1000
153,0	31,0	18	24	5,9	4,8	6,23	VH003/032	TS71B4	5323
153,0	31,0	18	36	5,9	3,2	6,23	VH005/032	TS71B4	5500
153,0	31,0	18	23	5,3	4,2	4,00	VH005/051	TS71C6/80A6	2500
153,0	31,0	18	47	5,3	2,1	4,00	VH010/051	TS80A6	2500
145,0	29,0	19	24	2,5	2,0	4,20	VH005/041	TS71C6/80A6	1000
130,0	26,0	21	27	4,8	3,9	4,70	VH005/032	TS71C6/80A6	5500
130,0	26,0	22	43	4,8	2,6	7,33	VH005/051	TS71B4	2500
128,0	26,0	22	28	4,7	3,8	4,77	VH005/051	TS71C6/80A6	2500
128,0	26,0	22	56	4,7	1,9	4,77	VH010/051	TS80A6	2500
124,0	25,0	23	30	2,3	1,8	7,67	VH003/041	TS71B4	1000
124,0	25,0	23	45	2,3	1,2	7,67	VH005/041	TS71B4	1000
122,0	24,0	23	30	5,7	4,6	7,76	VH003/032	TS71B4	5500
122,0	24,0	23	45	5,7	3,1	7,76	VH005/032	TS71B4	5500
122,0	24,0	23	29	2,1	1,7	5,00	VH005/041	TS71C6/80A6	1000
116,0	23,0	24	31	4,5	3,6	5,25	VH005/051	TS71C6/80A6	2500
116,0	23,0	24	61	4,5	1,8	5,25	VH010/051	TS80A6	2500
113,0	23,0	25	49	4,2	2,2	8,38	VH005/051	TS71B4	2500
111,0	22,0	25	32	2,1	1,7	5,50	VH005/041	TS71C6/80A6	1000
109,0	22,0	26	34	2,2	1,8	8,75	VH003/041	TS71B4	1000
109,0	22,0	26	51	2,2	1,2	8,75	VH005/041	TS71B4	1000
107,0	21,0	26	34	5,2	4,2	8,87	VH003/032	TS71B4	5500
107,0	21,0	26	51	5,2	2,8	8,87	VH005/032	TS71B4	5500
105,0	21,0	26	34	4,1	3,2	5,82	VH005/051	TS71C6/80A6	2500
105,0	21,0	26	68	4,1	1,6	5,82	VH010/051	TS80A6	2500
100,0	20,0	28	35	1,9	1,5	6,09	VH005/041	TS71C6/80A6	1000
98,0	20,0	28	36	4,0	3,2	6,23	VH005/032	TS71C6/80A6	5500
94,0	19,0	30	39	4,9	3,9	10,14	VH003/032	TS71B4	5500
94,0	19,0	30	58	4,9	2,6	10,14	VH005/032	TS71B4	5500
85,0	17,0	32	41	5,3	4,2	7,19	VH005/042	TS71C6/80A6	6600
85,0	17,0	32	83	5,3	2,1	7,19	VH010/042	TS80A6	6600
84,0	17,0	34	87	5,4	2,5	22,68	VH003/032	TS63C2/71A2	5500
84,0	17,0	34	131	5,4	1,7	22,68	VH005/032	TS71A2	5500
83,0	17,0	33	43	3,2	2,6	7,33	VH005/051	TS71C6/80A6	2500
83,0	17,0	33	43	5,5	4,4	7,33	VH005/061	TS71C6/80A6	3700
83,0	17,0	33	85	3,2	1,3	7,33	VH010/051	TS80A6	2500
83,0	17,0	33	85	5,5	2,2	7,33	VH010/061	TS80A6	3700

(a) Values relating to maximum speed

(b) Values relating to minimum speed

0,37 kW

n2 (a) [rpm]	n2 (b) [rpm]	M2 (a) [Nm]	M2 (b) [Nm]	fs (a)	fs (b)	i	Gear reducer	Motor	Fr2 [N]
81,0	16,0	35	45	4,3	3,5	11,76	VH003/032	TS71B4	5500
81,0	16,0	35	68	4,3	2,3	11,76	VH005/032	TS71B4	5500
80,0	16,0	36	92	5,1	2,4	23,83	VH003/032	TS63C2/71A2	5500
80,0	16,0	36	137	5,1	1,6	23,83	VH005/032	TS71A2	5500
80,0	16,0	35	45	1,5	1,2	7,67	VH005/041	TS71C6/80A6	1000
79,0	16,0	35	45	3,8	3,1	7,76	VH005/032	TS71C6/80A6	5500
73,0	15,0	38	49	2,8	2,3	8,38	VH005/051	TS71C6/80A6	2500
73,0	15,0	38	49	4,8	3,8	8,38	VH005/061	TS71C6/80A6	3700
73,0	15,0	38	97	2,8	1,1	8,38	VH010/051	TS80A6	2500
73,0	15,0	38	97	4,8	1,9	8,38	VH010/061	TS80A6	3700
72,0	14,0	40	101	4,6	2,1	26,39	VH003/032	TS63C2/71A2	5500
72,0	14,0	40	152	4,6	1,4	26,39	VH005/032	TS71A2	5500
70,0	14,0	40	51	1,5	1,2	8,75	VH005/041	TS71C6/80A6	1000
69,0	14,0	41	53	4,4	3,5	13,72	VH003/032	TS71B4	5500
69,0	14,0	40	51	3,5	2,8	8,87	VH005/032	TS71C6/80A6	5500
69,0	14,0	41	79	4,4	2,4	13,72	VH005/032	TS71B4	5500
69,0	14,0	40	51	5,6	4,5	8,91	VH005/042	TS71C6/80A6	6600
69,0	14,0	40	103	5,6	2,2	8,91	VH010/042	TS80A6	6600
65,0	13,0	44	56	4,1	3,3	14,66	VH003/032	TS71B4	5500
65,0	13,0	44	84	4,1	2,2	14,66	VH005/032	TS71B4	5500
64,0	13,0	45	114	4,1	1,9	29,70	VH003/032	TS63C2/71A2	5500
64,0	13,0	45	171	4,1	1,3	29,70	VH005/032	TS71A2	5500
62,0	12,0	46	175	5,6	1,7	30,45	VH005/042	TS71A2	6600
60,0	12,0	46	58	3,3	2,6	10,14	VH005/032	TS71C6/80A6	5500
60,0	12,0	47	92	5,5	3,0	15,96	VH005/042	TS71B4	6600
59,0	12,0	46	59	5,5	4,4	10,31	VH005/042	TS71C6/80A6	6600
59,0	12,0	46	119	5,5	2,2	10,31	VH010/042	TS80A6	6600
58,0	12,0	50	126	3,7	1,7	32,89	VH003/032	TS63C2/71A2	5500
58,0	12,0	50	189	3,7	1,1	32,89	VH005/032	TS71A2	5500
57,0	11,0	50	64	4,0	3,2	16,77	VH003/032	TS71B4	5500
57,0	11,0	50	97	4,0	2,2	16,77	VH005/032	TS71B4	5500
56,0	11,0	51	196	5,0	1,6	34,10	VH005/042	TS71A2	6600
52,0	10,0	54	70	3,9	3,1	18,20	VH003/032	TS71B4	5500
52,0	10,0	53	68	2,9	2,3	11,76	VH005/032	TS71C6/80A6	5500
52,0	10,0	54	105	3,9	2,1	18,20	VH005/032	TS71B4	5500
52,0	10,0	53	68	5,0	4,0	11,80	VH005/042	TS71C6/80A6	6600
52,0	10,0	53	136	5,0	2,0	11,80	VH010/042	TS80A6	6600
50,0	10,0	57	146	3,2	1,5	37,92	VH003/032	TS63C2/71A2	5500
50,0	10,0	57	218	3,2	1,0	37,92	VH005/032	TS71A2	5500
50,0	10,0	56	109	4,6	2,5	19,00	VH005/042	TS71B4	6600
50,0	10,0	57	218	4,5	1,4	37,76	VH005/042	TS71A2	6600
48,0	9,5	59	76	3,5	2,9	19,90	VH003/032	TS71B4	5500
48,0	9,5	59	115	3,5	1,9	19,90	VH005/032	TS71B4	5500
46,0	9,2	63	159	2,9	1,4	41,40	VH003/032	TS63C2/71A2	5500
46,0	9,2	63	238	2,9	0,9	41,40	VH005/032	TS71A2	5500
45,0	9,0	61	78	4,4	3,5	13,57	VH005/042	TS71C6/80A6	6600
45,0	9,0	62	121	4,2	2,3	21,00	VH005/042	TS71B4	6600
45,0	9,0	61	156	4,4	1,8	13,57	VH010/042	TS80A6	6600
45,0	8,9	62	79	3,0	2,4	13,72	VH005/032	TS71C6/80A6	5500
43,0	8,7	66	252	3,9	1,2	43,75	VH005/042	TS71A2	6600
42,0	8,4	67	87	3,1	2,5	22,68	VH003/032	TS71B4	5500
42,0	8,4	67	131	3,1	1,7	22,68	VH005/032	TS71B4	5500
42,0	8,3	66	84	2,8	2,2	14,66	VH005/032	TS71C6/80A6	5500
41,0	8,2	69	133	4,0	2,1	23,15	VH005/042	TS71B4	6600
40,0	8,0	71	92	3,0	2,4	23,83	VH003/032	TS71B4	5500
40,0	8,0	71	181	2,6	1,2	47,25	VH003/032	TS63C2/71A2	5500
40,0	8,0	71	137	3,0	1,6	23,83	VH005/032	TS71B4	5500
40,0	8,0	72	274	3,6	1,1	47,53	VH005/042	TS71A2	6600

(a) Values relating to maximum speed

(b) Values relating to minimum speed

0,37 kW

n2 (a) [rpm]	n2 (b) [rpm]	M2 (a) [Nm]	M2 (b) [Nm]	fs (a)	fs (b)	i	Gear reducer	Motor	Fr2 [N]
38,0	7,7	72	92	3,7	3,0	15,96	VH005/042	TS71C6/80A6	6600
38,0	7,7	72	184	3,7	1,5	15,96	VH010/042	TS80A6	6600
36,0	7,3	76	97	2,7	2,2	16,77	VH005/032	TS71C6/80A6	5500
36,0	7,3	77	150	3,5	1,9	26,04	VH005/042	TS71B4	6600
36,0	7,2	78	101	2,7	2,2	26,39	VH003/032	TS71B4	5500
36,0	7,2	78	152	2,7	1,4	26,39	VH005/032	TS71B4	5500
35,0	7,1	79	201	2,3	1,1	53,59	VH003/033	TS63C2/71A2	5500
35,0	7,0	82	312	3,1	1,0	54,25	VH005/042	TS71A2	6600
35,0	6,9	82	158	3,6	1,9	27,50	VH005/042	TS71B4	6600
34,0	6,8	85	323	5,3	1,6	56,11	VH005/052	TS71A2	8000
34,0	6,7	82	105	2,6	2,1	18,20	VH005/032	TS71C6/80A6	5500
32,0	6,5	87	332	5,3	1,6	58,81	VH005/053	TS71A2	8000
32,0	6,4	88	114	2,4	1,9	29,70	VH003/032	TS71B4	5500
32,0	6,4	88	171	2,4	1,3	29,70	VH005/032	TS71B4	5500
32,0	6,4	86	109	3,1	2,5	19,00	VH005/042	TS71C6/80A6	6600
32,0	6,4	86	219	3,1	1,3	19,00	VH010/042	TS80A6	6600
31,0	6,2	90	175	3,2	1,7	30,45	VH005/042	TS71B4	6600
31,0	6,1	91	232	3,0	1,4	61,83	VH003/043	TS63C2/71A2	6600
31,0	6,1	90	115	2,4	1,9	19,90	VH005/032	TS71C6/80A6	5500
31,0	6,1	91	349	3,0	0,9	61,83	VH005/043	TS71A2	6600
31,0	6,1	90	115	5,5	4,4	19,97	VH005/052	TS71C6/80A6	8000
31,0	6,1	90	230	5,5	2,2	19,97	VH010/052	TS80A6	8000
30,0	6,0	94	182	5,5	3,0	31,52	VH005/052	TS71B4	8000
29,0	5,8	98	126	2,1	1,7	32,89	VH003/032	TS71B4	5500
29,0	5,8	98	189	2,1	1,2	32,89	VH005/032	TS71B4	5500
29,0	5,8	95	121	2,8	2,3	21,00	VH005/042	TS71C6/80A6	6600
29,0	5,8	98	190	5,2	2,8	33,00	VH005/052	TS71B4	8000
29,0	5,8	95	242	2,8	1,1	21,00	VH010/042	TS80A6	6600
28,0	5,6	101	196	2,9	1,6	34,10	VH005/042	TS71B4	6600
28,0	5,6	98	125	5,2	4,1	21,67	VH005/052	TS71C6/80A6	8000
28,0	5,6	98	250	5,2	2,1	21,67	VH010/052	TS80A6	8000
27,0	5,4	102	131	2,1	1,7	22,68	VH005/032	TS71C6/80A6	5500
26,0	5,3	104	133	2,7	2,1	23,15	VH005/042	TS71C6/80A6	6600
26,0	5,3	104	267	2,7	1,1	23,15	VH010/042	TS80A6	6600
26,0	5,2	108	410	4,3	1,3	72,75	VH005/053	TS71A2	8000
26,0	5,1	107	137	2,0	1,6	23,83	VH005/032	TS71C6/80A6	5500
25,0	5,0	113	146	1,9	1,5	37,92	VH003/032	TS71B4	5500
25,0	5,0	113	288	2,4	1,1	76,67	VH003/043	TS63C2/71A2	6600
25,0	5,0	113	218	1,9	1,0	37,92	VH005/032	TS71B4	5500
25,0	5,0	112	218	2,6	1,4	37,76	VH005/042	TS71B4	6600
25,0	4,9	111	142	4,5	3,6	24,71	VH005/052	TS71C6/80A6	8000
25,0	4,9	111	285	4,5	1,8	24,71	VH010/052	TS80A6	8000
24,0	4,9	116	225	4,4	2,4	38,98	VH005/052	TS71B4	8000
23,0	4,7	117	150	2,4	1,9	26,04	VH005/042	TS71C6/80A6	6600
23,0	4,7	118	151	4,5	3,6	26,18	VH005/052	TS71C6/80A6	8000
23,0	4,7	117	300	2,4	1,0	26,04	VH010/042	TS80A6	6600
23,0	4,7	118	302	4,5	1,8	26,18	VH010/052	TS80A6	8000
23,0	4,6	123	159	1,7	1,4	41,40	VH003/032	TS71B4	5500
23,0	4,6	119	152	1,8	1,4	26,39	VH005/032	TS71C6/80A6	5500
23,0	4,6	123	238	1,7	0,9	41,40	VH005/032	TS71B4	5500
22,0	4,4	129	327	2,1	1,0	87,05	VH003/043	TS63C2/71A2	6600
22,0	4,4	124	158	2,4	1,9	27,50	VH005/042	TS71C6/80A6	6600
22,0	4,4	124	317	2,4	1,0	27,50	VH010/042	TS80A6	6600
22,0	4,3	130	252	2,3	1,2	43,75	VH005/042	TS71B4	6600
21,0	4,3	128	164	4,1	3,3	28,44	VH005/052	TS71C6/80A6	8000
21,0	4,3	128	328	4,1	1,6	28,44	VH010/052	TS80A6	8000
21,0	4,2	135	261	3,8	2,1	45,36	VH005/052	TS71B4	8000
21,0	4,2	134	510	3,4	1,1	90,51	VH005/053	TS71A2	8000

(a) Values relating to maximum speed

(b) Values relating to minimum speed

0,37 kW

n2 (a) [rpm]	n2 (b) [rpm]	M2 (a) [Nm]	M2 (b) [Nm]	fs (a)	fs (b)	i	Gear reducer	Motor	Fr2 [N]
21,0	4,1	134	171	1,6	1,3	29,70	VH005/032	TS71C6/80A6	5500
20,0	4,0	140	181	1,5	1,2	47,25	VH003/032	TS71B4	5500
20,0	4,0	137	175	2,2	1,8	30,45	VH005/042	TS71C6/80A6	6600
20,0	4,0	141	274	2,1	1,1	47,53	VH005/042	TS71B4	6600
19,0	3,9	142	182	3,7	3,0	31,52	VH005/052	TS71C6/80A6	8000
19,0	3,9	146	283	3,5	1,9	49,13	VH005/052	TS71B4	8000
19,0	3,9	142	363	3,7	1,5	31,52	VH010/052	TS80A6	8000
19,0	3,7	148	189	1,4	1,2	32,89	VH005/032	TS71C6/80A6	5500
19,0	3,7	149	190	3,5	2,8	33,00	VH005/052	TS71C6/80A6	8000
19,0	3,7	149	380	3,5	1,4	33,00	VH010/052	TS80A6	8000
18,0	3,6	154	196	2,0	1,6	34,10	VH005/042	TS71C6/80A6	6600
18,0	3,5	156	201	1,3	1,1	53,59	VH003/033	TS71B4	5500
18,0	3,5	161	312	1,8	1,0	54,25	VH005/042	TS71B4	6600
17,0	3,4	167	323	3,1	1,7	56,11	VH005/052	TS71B4	8000
17,0	3,3	167	426	5,2	2,1	36,99	VH010/062	TS80A6	12000
16,0	3,2	171	218	1,3	1,0	37,92	VH005/032	TS71C6/80A6	5500
16,0	3,2	170	218	1,8	1,4	37,76	VH005/042	TS71C6/80A6	6600
16,0	3,2	171	332	3,1	1,7	58,81	VH005/053	TS71B4	8000
16,0	3,1	176	225	3,0	2,4	38,98	VH005/052	TS71C6/80A6	8000
16,0	3,1	176	449	3,0	1,2	38,98	VH010/052	TS80A6	8000
15,0	3,1	180	232	1,7	1,4	61,83	VH003/043	TS71B4	6600
15,0	3,1	180	349	1,7	0,9	61,83	VH005/043	TS71B4	6600
15,0	3,0	187	238	1,2	0,9	41,40	VH005/032	TS71C6/80A6	5500
15,0	3,0	182	465	5,0	2,0	40,33	VH010/062	TS80A6	12000
14,0	2,8	197	252	1,5	1,2	43,75	VH005/042	TS71C6/80A6	6600
13,0	2,7	204	261	2,6	2,1	45,36	VH005/052	TS71C6/80A6	8000
13,0	2,7	204	523	2,6	1,0	45,36	VH010/052	TS80A6	8000
13,0	2,7	208	531	4,4	1,8	46,06	VH010/062	TS80A6	12000
13,0	2,6	214	274	1,4	1,1	47,53	VH005/042	TS71C6/80A6	6600
13,0	2,6	211	410	2,5	1,3	72,75	VH005/053	TS71B4	8000
12,0	2,5	223	288	1,4	1,1	76,67	VH003/043	TS71B4	6600
12,0	2,5	221	283	2,4	1,9	49,13	VH005/052	TS71C6/80A6	8000
12,0	2,5	221	566	2,4	1,0	49,13	VH010/052	TS80A6	8000
12,0	2,5	218	558	4,2	1,7	49,45	VH010/063	TS80A6	12000
11,0	2,3	245	312	1,2	1,0	54,25	VH005/042	TS71C6/80A6	6600
11,0	2,2	253	327	1,2	1,0	87,05	VH003/043	TS71B4	6600
11,0	2,2	253	323	2,1	1,7	56,11	VH005/052	TS71C6/80A6	8000
11,0	2,2	241	616	3,8	1,5	54,61	VH010/063	TS80A6	12000
10,0	2,1	260	332	2,1	1,7	58,81	VH005/053	TS71C6/80A6	8000
10,0	2,1	263	510	2,0	1,1	90,51	VH005/053	TS71B4	8000
9,9	2,0	273	349	1,2	0,9	61,83	VH005/043	TS71C6/80A6	6600
9,0	1,8	300	767	3,0	1,2	68,00	VH010/063	TS80A6	12000
8,4	1,7	321	410	1,7	1,3	72,75	VH005/053	TS71C6/80A6	8000
7,7	1,5	348	890	5,6	2,2	78,87	VH010/083	TS80A6	18000
7,1	1,4	379	968	2,4	1,0	85,82	VH010/063	TS80A6	12000
7,1	1,4	378	965	5,1	2,0	85,56	VH010/083	TS80A6	18000
6,7	1,3	399	510	1,3	1,1	90,51	VH005/053	TS71C6/80A6	8000
6,2	1,2	433	1106	4,5	1,8	98,09	VH010/083	TS80A6	18000
5,4	1,1	498	1272	3,9	1,6	112,78	VH010/083	TS80A6	18000
4,9	1,0	549	1404	3,5	1,4	124,44	VH010/083	TS80A6	18000
4,3	0,9	627	1603	3,1	1,2	142,15	VH010/083	TS80A6	18000
3,9	0,8	683	1746	2,8	1,1	154,76	VH010/083	TS80A6	18000
3,8	0,8	716	1831	2,7	1,1	162,35	VH010/083	TS80A6	18000
3,4	0,7	791	2021	2,4	1,0	179,13	VH010/083	TS80A6	18000

(a) Values relating to maximum speed

(b) Values relating to minimum speed

0,55 kW

n2 (a) [rpm]	n2 (b) [rpm]	M2 (a) [Nm]	M2 (b) [Nm]	fs (a)	fs (b)	i	Gear reducer	Motor	Fr2 [N]
950,0	190,0	4	8	5,1	3,5	2,00	VH003/041	TS71B2	833
950,0	190,0	4	12	5,1	2,3	2,00	VH005/041	TS71B2	976
747,0	149,0	6	10	4,8	3,3	2,55	VH003/041	TS71B2	896
747,0	149,0	6	15	4,8	2,2	2,55	VH005/041	TS71B2	1000
700,0	140,0	6	11	4,5	3,1	2,71	VH003/041	TS71B2	913
700,0	140,0	6	16	4,5	2,1	2,71	VH005/041	TS71B2	1000
661,0	132,0	6	8	4,1	3,3	1,44	VH005/041	TS71C4/80A4	863
612,0	122,0	7	12	5,2	3,6	3,11	VH003/041	TS71B2	950
612,0	122,0	7	18	5,2	2,4	3,11	VH005/041	TS71B2	1000
530,0	106,0	8	14	5,1	3,5	3,59	VH003/041	TS71B2	991
530,0	106,0	8	21	5,1	2,3	3,59	VH005/041	TS71B2	1000
480,0	96,0	9	15	5,0	3,0	1,27	VH010/051	TS80B6	2500
475,0	95,0	9	12	2,9	2,4	2,00	VH005/041	TS71C4/80A4	953
452,0	90,0	10	16	4,4	3,0	4,20	VH003/041	TS71B2	1000
452,0	90,0	10	24	4,4	2,0	4,20	VH005/041	TS71B2	1000
380,0	76,0	11	19	3,7	2,5	5,00	VH003/041	TS71B2	1000
380,0	76,0	11	29	3,7	1,7	5,00	VH005/041	TS71B2	1000
373,0	75,0	11	15	2,8	2,2	2,55	VH005/041	TS71C4/80A4	1000
350,0	70,0	12	16	2,6	2,1	2,71	VH005/041	TS71C4/80A4	1000
346,0	69,0	12	21	3,7	2,5	5,50	VH003/041	TS71B2	1000
346,0	69,0	12	32	3,7	1,7	5,50	VH005/041	TS71B2	1000
312,0	62,0	14	24	3,3	2,3	6,09	VH003/041	TS71B2	1000
312,0	62,0	14	35	3,3	1,5	6,09	VH005/041	TS71B2	1000
306,0	61,0	14	18	3,0	2,4	3,11	VH005/041	TS71C4/80A4	1000
300,0	60,0	14	18	5,9	4,8	3,17	VH005/051	TS71C4/80A4	2500
300,0	60,0	14	37	5,9	2,4	3,17	VH010/051	TS80A4	2500
287,0	57,0	14	25	4,5	2,7	2,13	VH010/051	TS80B6	2500
265,0	53,0	16	21	2,9	2,4	3,59	VH005/041	TS71C4/80A4	1000
259,0	52,0	17	43	5,5	2,5	7,33	VH005/051	TS71B2	2500
258,0	52,0	16	21	5,7	4,6	3,69	VH005/051	TS71C4/80A4	2500
258,0	52,0	16	43	5,7	2,3	3,69	VH010/051	TS80A4	2500
248,0	50,0	17	30	2,6	1,8	7,67	VH003/041	TS71B2	1000
248,0	50,0	17	45	2,6	1,2	7,67	VH005/041	TS71B2	1000
238,0	48,0	18	23	5,3	4,2	4,00	VH005/051	TS71C4/80A4	2500
238,0	48,0	17	30	4,3	2,6	2,57	VH010/051	TS80B6	2500
238,0	48,0	18	47	5,3	2,1	4,00	VH010/051	TS80A4	2500
227,0	45,0	19	49	4,8	2,2	8,38	VH005/051	TS71B2	2500
226,0	45,0	19	24	2,5	2,0	4,20	VH005/041	TS71C4/80A4	1000
217,0	43,0	20	34	2,6	1,8	8,75	VH003/041	TS71B2	1000
217,0	43,0	20	51	2,6	1,2	8,75	VH005/041	TS71B2	1000
202,0	40,0	21	27	4,8	3,8	4,70	VH005/032	TS71C4/80A4	4790
199,0	40,0	21	28	4,7	3,7	4,77	VH005/051	TS71C4/80A4	2500
199,0	40,0	21	56	4,7	1,9	4,77	VH010/051	TS80A4	2500
193,0	39,0	21	37	4,0	2,4	3,17	VH010/051	TS80B6	2500
190,0	38,0	22	29	2,1	1,7	5,00	VH005/041	TS71C4/80A4	1000
187,0	37,0	23	39	5,7	3,9	10,14	VH003/032	TS71B2	5253
187,0	37,0	23	58	5,7	2,6	10,14	VH005/032	TS71B2	5500
181,0	36,0	23	31	4,5	3,6	5,25	VH005/051	TS71C4/80A4	2500
181,0	36,0	23	61	4,5	1,8	5,25	VH010/051	TS80A4	2500
173,0	35,0	25	32	2,1	1,7	5,50	VH005/041	TS71C4/80A4	1000
166,0	33,0	25	43	3,9	2,3	3,69	VH010/051	TS80B6	2500
163,0	33,0	26	34	4,0	3,2	5,82	VH005/051	TS71C4/80A4	2500
163,0	33,0	26	68	4,0	1,6	5,82	VH010/051	TS80A4	2500
162,0	32,0	26	45	5,1	3,5	11,76	VH003/032	TS71B2	5474
162,0	32,0	26	68	5,1	2,3	11,76	VH005/032	TS71B2	5500
156,0	31,0	27	35	1,9	1,5	6,09	VH005/041	TS71C4/80A4	1000
153,0	31,0	27	36	4,0	3,2	6,23	VH005/032	TS71C4/80A4	5199
153,0	31,0	27	47	3,6	2,1	4,00	VH010/051	TS80B6	2500

(a) Values relating to maximum speed

(b) Values relating to minimum speed

0,55 kW

n2 (a) [rpm]	n2 (b) [rpm]	M2 (a) [Nm]	M2 (b) [Nm]	fs (a)	fs (b)	i	Gear reducer	Motor	Fr2 [N]
153,0	31,0	27	47	6,0	3,5	4,00	VH010/061	TS80B6	3700
139,0	28,0	31	53	5,1	3,5	13,72	VH003/032	TS71B2	5500
139,0	28,0	31	79	5,1	2,3	13,72	VH005/032	TS71B2	5500
132,0	26,0	32	41	5,3	4,2	7,19	VH005/042	TS71C4/80A4	6600
132,0	26,0	32	83	5,3	2,1	7,19	VH010/042	TS80A4	6600
130,0	26,0	33	56	4,8	3,3	14,66	VH003/032	TS71B2	5500
130,0	26,0	33	84	4,8	2,2	14,66	VH005/032	TS71B2	5500
130,0	26,0	33	43	3,2	2,6	7,33	VH005/051	TS71C4/80A4	2500
130,0	26,0	33	43	5,4	4,4	7,33	VH005/061	TS71C4/80A4	3700
130,0	26,0	33	85	3,2	1,3	7,33	VH010/051	TS80A4	2500
130,0	26,0	33	85	5,4	2,2	7,33	VH010/061	TS80A4	3700
128,0	26,0	32	56	3,2	1,9	4,77	VH010/051	TS80B6	2500
128,0	26,0	32	56	5,3	3,2	4,77	VH010/061	TS80B6	3700
124,0	25,0	34	45	1,5	1,2	7,67	VH005/041	TS71C4/80A4	1000
122,0	24,0	34	45	3,8	3,1	7,76	VH005/032	TS71C4/80A4	5500
116,0	23,0	36	61	3,0	1,8	5,25	VH010/051	TS80B6	2500
116,0	23,0	36	61	5,1	3,1	5,25	VH010/061	TS80B6	3700
113,0	23,0	38	64	4,6	3,2	16,77	VH003/032	TS71B2	5500
113,0	23,0	38	97	4,6	2,1	16,77	VH005/032	TS71B2	5500
113,0	23,0	37	49	2,8	2,2	8,38	VH005/051	TS71C4/80A4	2500
113,0	23,0	37	49	4,8	3,8	8,38	VH005/061	TS71C4/80A4	3700
113,0	23,0	37	97	2,8	1,1	8,38	VH010/051	TS80A4	2500
113,0	23,0	37	97	4,8	1,9	8,38	VH010/061	TS80A4	3700
112,0	22,0	37	63	4,7	2,8	5,46	VH010/042	TS80B6	6600
109,0	22,0	39	51	1,5	1,2	8,75	VH005/041	TS71C4/80A4	1000
107,0	21,0	39	51	3,5	2,8	8,87	VH005/032	TS71C4/80A4	5500
107,0	21,0	39	51	5,6	4,5	8,91	VH005/042	TS71C4/80A4	6600
107,0	21,0	39	103	5,6	2,2	8,91	VH010/042	TS80A4	6600
105,0	21,0	39	68	2,7	1,6	5,82	VH010/051	TS80B6	2500
105,0	21,0	39	68	4,6	2,8	5,82	VH010/061	TS80B6	3700
104,0	21,0	41	70	4,5	3,1	18,20	VH003/032	TS71B2	5500
104,0	21,0	41	105	4,5	2,1	18,20	VH005/032	TS71B2	5500
100,0	20,0	43	109	5,4	2,5	19,00	VH005/042	TS71B2	6600
96,0	19,0	45	76	4,1	2,8	19,90	VH003/032	TS71B2	5500
96,0	19,0	45	115	4,1	1,9	19,90	VH005/032	TS71B2	5500
94,0	19,0	45	58	3,3	2,6	10,14	VH005/032	TS71C4/80A4	5500
92,0	18,0	46	59	5,5	4,4	10,31	VH005/042	TS71C4/80A4	6600
92,0	18,0	46	119	5,5	2,2	10,31	VH010/042	TS80A4	6600
90,0	18,0	47	121	4,9	2,2	21,00	VH005/042	TS71B2	6600
85,0	17,0	48	83	3,6	2,1	7,19	VH010/042	TS80B6	6600
84,0	17,0	51	87	3,6	2,5	22,68	VH003/032	TS71B2	5500
84,0	17,0	51	131	3,6	1,7	22,68	VH005/032	TS71B2	5500
83,0	17,0	50	85	2,2	1,3	7,33	VH010/051	TS80B6	2500
83,0	17,0	50	85	3,7	2,2	7,33	VH010/061	TS80B6	3700
82,0	16,0	52	133	4,6	2,1	23,15	VH005/042	TS71B2	6600
81,0	16,0	52	68	2,9	2,3	11,76	VH005/032	TS71C4/80A4	5500
81,0	16,0	52	68	5,0	4,0	11,80	VH005/042	TS71C4/80A4	6600
81,0	16,0	52	136	5,0	2,0	11,80	VH010/042	TS80A4	6600
80,0	16,0	53	92	3,4	2,4	23,83	VH003/032	TS71B2	5500
80,0	16,0	53	137	3,4	1,6	23,83	VH005/032	TS71B2	5500
73,0	15,0	58	150	4,1	1,9	26,04	VH005/042	TS71B2	6600
73,0	15,0	57	97	1,9	1,1	8,38	VH010/051	TS80B6	2500
73,0	15,0	57	97	3,2	1,9	8,38	VH010/061	TS80B6	3700
72,0	14,0	59	101	3,1	2,1	26,39	VH003/032	TS71B2	5500
72,0	14,0	59	152	3,1	1,4	26,39	VH005/032	TS71B2	5500
70,0	14,0	60	78	4,4	3,5	13,57	VH005/042	TS71C4/80A4	6600
70,0	14,0	60	156	4,4	1,8	13,57	VH010/042	TS80A4	6600
69,0	14,0	61	79	2,9	2,4	13,72	VH005/032	TS71C4/80A4	5500

(a) Values relating to maximum speed

(b) Values relating to minimum speed

12.2 VH - PERFORMANCE

0,55 kW

n2 (a) [rpm]	n2 (b) [rpm]	M2 (a) [Nm]	M2 (b) [Nm]	fs (a)	fs (b)	i	Gear reducer	Motor	Fr2 [N]
69,0	14,0	62	158	4,2	1,9	27,50	VH005/042	TS71B2	6600
69,0	14,0	60	103	3,8	2,2	8,91	VH010/042	TS80B6	6600
65,0	13,0	65	84	2,7	2,2	14,66	VH005/032	TS71C4/80A4	5500
64,0	13,0	67	114	2,8	1,9	29,70	VH003/032	TS71B2	5500
64,0	13,0	67	171	2,8	1,3	29,70	VH005/032	TS71B2	5500
62,0	12,0	68	175	3,8	1,7	30,45	VH005/042	TS71B2	6600
60,0	12,0	70	92	3,7	3,0	15,96	VH005/042	TS71C4/80A4	6600
60,0	12,0	70	184	3,7	1,5	15,96	VH010/042	TS80A4	6600
59,0	12,0	69	119	3,7	2,2	10,31	VH010/042	TS80B6	6600
58,0	12,0	74	126	2,5	1,7	32,89	VH003/032	TS71B2	5500
58,0	12,0	74	189	2,5	1,1	32,89	VH005/032	TS71B2	5500
57,0	11,0	74	97	2,7	2,2	16,77	VH005/032	TS71C4/80A4	5500
56,0	11,0	77	196	3,4	1,6	34,10	VH005/042	TS71B2	6600
53,0	11,0	77	133	5,4	3,2	11,51	VH010/052	TS80B6	8000
52,0	10,0	80	105	2,6	2,1	18,20	VH005/032	TS71C4/80A4	5500
52,0	10,0	79	136	3,4	2,0	11,80	VH010/042	TS80B6	6600
50,0	10,0	85	146	2,2	1,5	37,92	VH003/032	TS71B2	5500
50,0	10,0	85	218	2,2	1,0	37,92	VH005/032	TS71B2	5500
50,0	10,0	84	109	3,1	2,5	19,00	VH005/042	TS71C4/80A4	6600
50,0	10,0	85	218	3,0	1,4	37,76	VH005/042	TS71B2	6600
50,0	10,0	84	219	3,1	1,3	19,00	VH010/042	TS80A4	6600
49,0	9,7	87	225	5,2	2,4	38,98	VH005/052	TS71B2	8000
48,0	9,5	88	115	2,4	1,9	19,90	VH005/032	TS71C4/80A4	5500
48,0	9,5	88	115	5,5	4,4	19,97	VH005/052	TS71C4/80A4	8000
48,0	9,5	88	230	5,5	2,2	19,97	VH010/052	TS80A4	8000
46,0	9,2	93	159	2,0	1,4	41,40	VH003/032	TS71B2	5500
46,0	9,2	93	238	2,0	0,9	41,40	VH005/032	TS71B2	5500
45,0	9,0	93	121	2,8	2,3	21,00	VH005/042	TS71C4/80A4	6600
45,0	9,0	91	156	3,0	1,8	13,57	VH010/042	TS80B6	6600
45,0	9,0	93	242	2,8	1,1	21,00	VH010/042	TS80A4	6600
44,0	8,8	96	125	5,1	4,1	21,67	VH005/052	TS71C4/80A4	8000
44,0	8,8	96	250	5,1	2,1	21,67	VH010/052	TS80A4	8000
43,0	8,7	98	252	2,6	1,2	43,75	VH005/042	TS71B2	6600
43,0	8,6	95	164	4,8	2,9	14,24	VH010/052	TS80B6	8000
42,0	8,4	100	131	2,1	1,7	22,68	VH005/032	TS71C4/80A4	5500
42,0	8,4	102	261	4,4	2,0	45,36	VH005/052	TS71B2	8000
41,0	8,2	102	133	2,7	2,1	23,15	VH005/042	TS71C4/80A4	6600
41,0	8,2	102	267	2,7	1,1	23,15	VH010/042	TS80A4	6600
40,0	8,0	106	181	1,7	1,2	47,25	VH003/032	TS71B2	5500
40,0	8,0	105	137	2,0	1,6	23,83	VH005/032	TS71C4/80A4	5500
40,0	8,0	107	274	2,4	1,1	47,53	VH005/042	TS71B2	6600
39,0	7,7	110	283	4,1	1,9	49,13	VH005/052	TS71B2	8000
38,0	7,7	109	142	4,5	3,6	24,71	VH005/052	TS71C4/80A4	8000
38,0	7,7	107	184	2,5	1,5	15,96	VH010/042	TS80B6	6600
38,0	7,7	109	285	4,5	1,8	24,71	VH010/052	TS80A4	8000
37,0	7,4	111	191	4,3	2,6	16,59	VH010/052	TS80B6	8000
36,0	7,3	115	150	2,4	1,9	26,04	VH005/042	TS71C4/80A4	6600
36,0	7,3	116	151	4,4	3,6	26,18	VH005/052	TS71C4/80A4	8000
36,0	7,3	115	300	2,4	0,9	26,04	VH010/042	TS80A4	6600
36,0	7,3	116	302	4,4	1,8	26,18	VH010/052	TS80A4	8000
36,0	7,2	116	152	1,8	1,4	26,39	VH005/032	TS71C4/80A4	5500
35,0	7,1	118	201	1,6	1,1	53,59	VH003/033	TS71B2	5500
35,0	7,0	122	312	2,1	1,0	54,25	VH005/042	TS71B2	6600
35,0	6,9	121	158	2,4	1,9	27,50	VH005/042	TS71C4/80A4	6600
35,0	6,9	121	317	2,4	1,0	27,50	VH010/042	TS80A4	6600
34,0	6,8	126	323	3,6	1,6	56,11	VH005/052	TS71B2	8000
34,0	6,8	121	207	4,1	2,4	18,00	VH010/052	TS80B6	8000
33,0	6,7	125	164	4,1	3,3	28,44	VH005/052	TS71C4/80A4	8000

(a) Values relating to maximum speed

(b) Values relating to minimum speed

0,55 kW

n2 (a) [rpm]	n2 (b) [rpm]	M2 (a) [Nm]	M2 (b) [Nm]	fs (a)	fs (b)	i	Gear reducer	Motor	Fr2 [N]
33,0	6,7	125	328	4,1	1,6	28,44	VH010/052	TS80A4	8000
32,0	6,5	129	332	3,6	1,6	58,81	VH005/053	TS71B2	8000
32,0	6,4	131	171	1,6	1,3	29,70	VH005/032	TS71C4/80A4	5500
32,0	6,4	127	219	2,1	1,3	19,00	VH010/042	TS80B6	6600
31,0	6,2	134	175	2,2	1,7	30,45	VH005/042	TS71C4/80A4	6600
31,0	6,1	136	232	2,0	1,4	61,83	VH003/043	TS71B2	6600
31,0	6,1	136	349	2,0	0,9	61,83	VH005/043	TS71B2	6600
31,0	6,1	134	230	3,7	2,2	19,97	VH010/052	TS80B6	8000
30,0	6,0	139	182	3,7	3,0	31,52	VH005/052	TS71C4/80A4	8000
30,0	6,0	139	363	3,7	1,5	31,52	VH010/052	TS80A4	8000
29,0	5,8	145	189	1,4	1,2	32,89	VH005/032	TS71C4/80A4	5500
29,0	5,8	146	190	3,5	2,8	33,00	VH005/052	TS71C4/80A4	8000
29,0	5,8	141	242	1,9	1,1	21,00	VH010/042	TS80B6	6600
29,0	5,8	146	380	3,5	1,4	33,00	VH010/052	TS80A4	8000
28,0	5,6	150	196	1,9	1,6	34,10	VH005/042	TS71C4/80A4	6600
28,0	5,6	145	250	3,5	2,1	21,67	VH010/052	TS80B6	8000
26,0	5,3	155	267	1,8	1,1	23,15	VH010/042	TS80B6	6600
26,0	5,2	160	410	2,9	1,3	72,75	VH005/053	TS71B2	8000
26,0	5,2	156	268	5,9	3,5	23,27	VH010/062	TS80B6	12000
26,0	5,1	163	426	5,1	2,1	36,99	VH010/062	TS80A4	12000
25,0	5,0	168	288	1,6	1,1	76,67	VH003/043	TS71B2	6600
25,0	5,0	167	218	1,3	1,0	37,92	VH005/032	TS71C4/80A4	5500
25,0	5,0	167	218	1,8	1,4	37,76	VH005/042	TS71C4/80A4	6600
25,0	4,9	166	285	3,0	1,8	24,71	VH010/052	TS80B6	8000
24,0	4,9	172	225	3,0	2,4	38,98	VH005/052	TS71C4/80A4	8000
24,0	4,9	172	449	3,0	1,2	38,98	VH010/052	TS80A4	8000
24,0	4,8	172	296	5,3	3,2	25,70	VH010/062	TS80B6	12000
24,0	4,7	178	465	5,0	2,0	40,33	VH010/062	TS80A4	12000
23,0	4,7	174	300	1,6	1,0	26,04	VH010/042	TS80B6	6600
23,0	4,7	175	302	3,0	1,8	26,18	VH010/052	TS80B6	8000
23,0	4,6	183	238	1,1	0,9	41,40	VH005/032	TS71C4/80A4	5500
22,0	4,4	191	327	1,4	1,0	87,05	VH003/043	TS71B2	6600
22,0	4,4	184	317	1,6	1,0	27,50	VH010/042	TS80B6	6600
22,0	4,3	193	252	1,5	1,2	43,75	VH005/042	TS71C4/80A4	6600
21,0	4,3	191	328	2,8	1,6	28,44	VH010/052	TS80B6	8000
21,0	4,2	200	261	2,6	2,1	45,36	VH005/052	TS71C4/80A4	8000
21,0	4,2	199	510	2,3	1,1	90,51	VH005/053	TS71B2	8000
21,0	4,2	200	523	2,6	1,0	45,36	VH010/052	TS80A4	8000
21,0	4,2	197	338	4,4	2,6	29,33	VH010/062	TS80B6	12000
21,0	4,1	203	531	4,4	1,8	46,06	VH010/062	TS80A4	12000
20,0	4,0	210	274	1,4	1,1	47,53	VH005/042	TS71C4/80A4	6600
19,0	3,9	217	283	2,4	1,9	49,13	VH005/052	TS71C4/80A4	8000
19,0	3,9	211	363	2,5	1,5	31,52	VH010/052	TS80B6	8000
19,0	3,9	217	566	2,4	0,9	49,13	VH010/052	TS80A4	8000
19,0	3,8	214	369	4,3	2,5	32,00	VH010/062	TS80B6	12000
19,0	3,8	214	558	4,2	1,7	49,45	VH010/063	TS80A4	12000
19,0	3,7	221	380	2,4	1,4	33,00	VH010/052	TS80B6	8000
18,0	3,5	239	312	1,2	1,0	54,25	VH005/042	TS71C4/80A4	6600
17,0	3,5	236	616	3,8	1,5	54,61	VH010/063	TS80A4	12000
17,0	3,4	248	323	2,1	1,7	56,11	VH005/052	TS71C4/80A4	8000
17,0	3,3	248	426	3,5	2,1	36,99	VH010/062	TS80B6	12000
16,0	3,2	254	332	2,1	1,7	58,81	VH005/053	TS71C4/80A4	8000
16,0	3,1	261	449	2,0	1,2	38,98	VH010/052	TS80B6	8000
15,0	3,1	267	349	1,2	0,9	61,83	VH005/043	TS71C4/80A4	6600
15,0	3,0	270	465	3,4	2,0	40,33	VH010/062	TS80B6	12000
14,0	2,8	294	767	3,0	1,2	68,00	VH010/063	TS80A4	12000
13,0	2,7	304	523	1,7	1,0	45,36	VH010/052	TS80B6	8000
13,0	2,7	309	531	3,0	1,8	46,06	VH010/062	TS80B6	12000

(a) Values relating to maximum speed

(b) Values relating to minimum speed

0,55 kW

n2 (a) [rpm]	n2 (b) [rpm]	M2 (a) [Nm]	M2 (b) [Nm]	fs (a)	fs (b)	i	Gear reducer	Motor	Fr2 [N]
13,0	2,6	314	410	1,7	1,3	72,75	VH005/053	TS71C4/80A4	8000
12,0	2,5	329	566	1,6	1,0	49,13	VH010/052	TS80B6	8000
12,0	2,5	324	558	2,8	1,7	49,45	VH010/063	TS80B6	12000
12,0	2,4	341	890	5,5	2,2	78,87	VH010/083	TS80A4	18000
11,0	2,2	358	616	2,5	1,5	54,61	VH010/063	TS80B6	12000
11,0	2,2	371	968	2,4	1,0	85,82	VH010/063	TS80A4	12000
11,0	2,2	371	638	4,6	2,8	56,53	VH010/083	TS80B6	18000
11,0	2,2	370	965	5,1	2,0	85,56	VH010/083	TS80A4	18000
10,0	2,1	391	510	1,3	1,1	90,51	VH005/053	TS71C4/80A4	8000
9,7	1,9	424	1106	4,4	1,8	98,09	VH010/083	TS80A4	18000
9,0	1,8	446	767	2,0	1,2	68,00	VH010/063	TS80B6	12000
8,5	1,7	469	806	4,1	2,5	71,48	VH010/083	TS80B6	18000
8,4	1,7	487	1272	3,9	1,6	112,78	VH010/083	TS80A4	18000
7,7	1,5	517	890	3,7	2,2	78,87	VH010/083	TS80B6	18000
7,6	1,5	538	1404	3,5	1,4	124,44	VH010/083	TS80A4	18000
7,1	1,4	563	968	1,6	1,0	85,82	VH010/063	TS80B6	12000
7,1	1,4	561	965	3,4	2,0	85,56	VH010/083	TS80B6	18000
6,7	1,3	614	1603	3,1	1,2	142,15	VH010/083	TS80A4	18000
6,2	1,2	643	1106	3,0	1,8	98,09	VH010/083	TS80B6	18000
6,1	1,2	669	1746	2,8	1,1	154,76	VH010/083	TS80A4	18000
5,9	1,2	701	1831	2,7	1,1	162,35	VH010/083	TS80A4	18000
5,4	1,1	740	1272	2,6	1,6	112,78	VH010/083	TS80B6	18000
5,3	1,1	774	2021	2,4	1,0	179,13	VH010/083	TS80A4	18000
4,9	1,0	816	1404	2,4	1,4	124,44	VH010/083	TS80B6	18000
4,3	0,9	933	1603	2,1	1,2	142,15	VH010/083	TS80B6	18000
3,9	0,8	1015	1746	1,9	1,1	154,76	VH010/083	TS80B6	18000
3,8	0,8	1065	1831	1,8	1,1	162,35	VH010/083	TS80B6	18000
3,4	0,7	1175	2021	1,6	1,0	179,13	VH010/083	TS80B6	18000

0,75 kW

n2 (a) [rpm]	n2 (b) [rpm]	M2 (a) [Nm]	M2 (b) [Nm]	fs (a)	fs (b)	i	Gear reducer	Motor	Fr2 [N]
1322,0	264,0	4	6	5,2	4,9	1,44	VH003/041	TP71C2	690
1322,0	264,0	4	8	5,2	3,3	1,44	VH005/041	TP71C2/80A2	793
950,0	190,0	6	8	3,7	3,5	2,00	VH003/041	TP71C2	763
950,0	190,0	6	12	3,7	2,3	2,00	VH005/041	TP71C2/80A2	875
747,0	149,0	8	10	3,5	3,3	2,55	VH003/041	TP71C2	820
747,0	149,0	8	15	3,5	2,2	2,55	VH005/041	TP71C2/80A2	938
747,0	149,0	8	15	5,4	3,0	1,27	VH010/051	TP80B4	2387
700,0	140,0	8	11	3,3	3,1	2,71	VH003/041	TP71C2	836
700,0	140,0	8	16	3,3	2,1	2,71	VH005/041	TP71C2/80A2	955
612,0	122,0	10	12	3,8	3,6	3,11	VH003/041	TP71C2	869
612,0	122,0	10	18	3,8	2,4	3,11	VH005/041	TP71C2/80A2	992
530,0	106,0	11	14	3,7	3,5	3,59	VH003/041	TP71C2	906
530,0	106,0	11	21	3,7	2,3	3,59	VH005/041	TP71C2/80A2	1000
480,0	96,0	12	15	3,7	3,0	1,27	VH010/051	TP80C6/90S6	2379
452,0	90,0	13	16	3,2	3,0	4,20	VH003/041	TP71C2	948
452,0	90,0	13	24	3,2	2,0	4,20	VH005/041	TP71C2/80A2	1000
447,0	89,0	13	25	4,9	2,7	2,13	VH010/051	TP80B4	2500
430,0	86,0	13	17	4,9	4,0	1,42	VH010/051	TP80C6/90S6	2462
398,0	80,0	15	28	5,9	3,7	4,77	VH005/051	TP71C2/80A2	2500
398,0	80,0	15	56	5,9	1,9	4,77	VH010/051	TP80A2	2500
380,0	76,0	15	19	2,7	2,5	5,00	VH003/041	TP71C2	994
380,0	76,0	15	29	2,7	1,7	5,00	VH005/041	TP71C2/80A2	1000
370,0	74,0	16	30	4,7	2,6	2,57	VH010/051	TP80B4	2500

(a) Values relating to maximum speed

(b) Values relating to minimum speed

0,75 kW

n2 (a) [rpm]	n2 (b) [rpm]	M2 (a) [Nm]	M2 (b) [Nm]	fs (a)	fs (b)	i	Gear reducer	Motor	Fr2 [N]
362,0	72,0	16	31	5,7	3,6	5,25	VH005/051	TP71C2/80A2	2500
362,0	72,0	16	61	5,7	1,8	5,25	VH010/051	TP80A2	2500
346,0	69,0	17	21	2,7	2,5	5,50	VH003/041	TP71C2	1000
346,0	69,0	17	32	2,7	1,7	5,50	VH005/041	TP71C2/80A2	1000
327,0	65,0	18	34	5,1	3,2	5,82	VH005/051	TP71C2/80A2	2500
327,0	65,0	18	68	5,1	1,6	5,82	VH010/051	TP80A2	2500
312,0	62,0	19	24	2,4	2,3	6,09	VH003/041	TP71C2	1000
312,0	62,0	19	35	2,4	1,5	6,09	VH005/041	TP71C2/80A2	1000
305,0	61,0	19	24	5,1	4,8	6,23	VH003/032	TP71C2	4174
305,0	61,0	19	36	5,1	3,2	6,23	VH005/032	TP71C2/80A2	4769
300,0	60,0	19	37	4,3	2,4	3,17	VH010/051	TP80B4	2500
287,0	57,0	20	25	3,3	2,7	2,13	VH010/051	TP80C6/90S6	2500
259,0	52,0	23	43	4,1	2,5	7,33	VH005/051	TP71C2/80A2	2500
259,0	52,0	23	85	4,1	1,3	7,33	VH010/051	TP80A2	2500
258,0	52,0	22	43	4,2	2,3	3,69	VH010/051	TP80B4	2500
248,0	50,0	24	30	1,9	1,8	7,67	VH003/041	TP71C2	1000
248,0	50,0	24	45	1,9	1,2	7,67	VH005/041	TP71C2/80A2	1000
245,0	49,0	24	30	4,8	4,6	7,76	VH003/032	TP71C2	4449
245,0	49,0	24	45	4,8	3,0	7,76	VH005/032	TP71C2/80A2	5068
238,0	48,0	24	30	3,2	2,6	2,57	VH010/051	TP80C6/90S6	2500
238,0	48,0	24	47	3,9	2,1	4,00	VH010/051	TP80B4	2500
238,0	48,0	24	30	5,4	4,4	2,57	VH010/061	TP80C6/90S6	3700
227,0	45,0	26	49	3,6	2,2	8,38	VH005/051	TP71C2/80A2	2500
227,0	45,0	26	97	3,6	1,1	8,38	VH010/051	TP80A2	2500
217,0	43,0	27	34	1,9	1,8	8,75	VH003/041	TP71C2	1000
217,0	43,0	27	51	1,9	1,2	8,75	VH005/041	TP71C2/80A2	1000
214,0	43,0	27	34	4,4	4,2	8,87	VH003/032	TP71C2	4621
214,0	43,0	27	51	4,4	2,8	8,87	VH005/032	TP71C2/80A2	5253
199,0	40,0	29	56	3,4	1,9	4,77	VH010/051	TP80B4	2500
199,0	40,0	29	56	5,8	3,2	4,77	VH010/061	TP80B4	3700
193,0	39,0	29	37	2,9	2,4	3,17	VH010/051	TP80C6/90S6	2500
193,0	39,0	29	37	4,8	3,9	3,17	VH010/061	TP80C6/90S6	3700
187,0	37,0	31	39	4,2	3,9	10,14	VH003/032	TP71C2	4798
187,0	37,0	31	58	4,2	2,6	10,14	VH005/032	TP71C2/80A2	5442
181,0	36,0	32	61	3,3	1,8	5,25	VH010/051	TP80B4	2500
181,0	36,0	32	61	5,6	3,0	5,25	VH010/061	TP80B4	3700
174,0	35,0	33	63	5,1	2,8	5,46	VH010/042	TP80B4	6600
166,0	33,0	34	43	2,8	2,3	3,69	VH010/051	TP80C6/90S6	2500
166,0	33,0	34	43	4,7	3,8	3,69	VH010/061	TP80C6/90S6	3700
163,0	33,0	35	68	3,0	1,6	5,82	VH010/051	TP80B4	2500
163,0	33,0	35	68	5,0	2,8	5,82	VH010/061	TP80B4	3700
162,0	32,0	36	45	3,7	3,5	11,76	VH003/032	TP71C2	4996
162,0	32,0	36	68	3,7	2,3	11,76	VH005/032	TP71C2/80A2	5500
153,0	31,0	37	47	2,6	2,1	4,00	VH010/051	TP80C6/90S6	2500
153,0	31,0	37	47	4,4	3,5	4,00	VH010/061	TP80C6/90S6	3700
140,0	28,0	42	78	5,5	3,5	13,57	VH005/042	TP71C2/80A2	6600
140,0	28,0	42	156	5,5	1,7	13,57	VH010/042	TP80A2	6600
139,0	28,0	42	53	3,7	3,5	13,72	VH003/032	TP71C2	5206
139,0	28,0	42	79	3,7	2,3	13,72	VH005/032	TP71C2/80A2	5500
132,0	26,0	43	83	3,9	2,1	7,19	VH010/042	TP80B4	6600
130,0	26,0	45	56	3,5	3,3	14,66	VH003/032	TP71C2	5297
130,0	26,0	45	84	3,5	2,2	14,66	VH005/032	TP71C2/80A2	5500
130,0	26,0	45	85	2,3	1,3	7,33	VH010/051	TP80B4	2500
130,0	26,0	45	85	4,0	2,2	7,33	VH010/061	TP80B4	3700
128,0	26,0	44	56	2,3	1,9	4,77	VH010/051	TP80C6/90S6	2500
128,0	26,0	44	56	3,9	3,2	4,77	VH010/061	TP80C6/90S6	3700
119,0	24,0	49	92	4,7	3,0	15,96	VH005/042	TP71C2/80A2	6600
119,0	24,0	49	184	4,7	1,5	15,96	VH010/042	TP80A2	6600

(a) Values relating to maximum speed

(b) Values relating to minimum speed

0,75 kW

n2 (a) [rpm]	n2 (b) [rpm]	M2 (a) [Nm]	M2 (b) [Nm]	fs (a)	fs (b)	i	Gear reducer	Motor	Fr2 [N]
116,0	23,0	48	61	2,2	1,8	5,25	VH010/051	TP80C6/90S6	2500
116,0	23,0	48	61	3,8	3,1	5,25	VH010/061	TP80C6/90S6	3700
113,0	23,0	51	64	3,4	3,2	16,77	VH003/032	TP71C2	5482
113,0	23,0	51	97	3,4	2,1	16,77	VH005/032	TP71C2/80A2	5500
113,0	23,0	51	97	2,1	1,1	8,38	VH010/051	TP80B4	2500
113,0	23,0	51	97	3,5	1,9	8,38	VH010/061	TP80B4	3700
112,0	22,0	50	63	3,4	2,8	5,46	VH010/042	TP80C6/90S6	6600
107,0	21,0	54	103	4,1	2,2	8,91	VH010/042	TP80B4	6600
107,0	21,0	52	66	5,3	4,3	5,73	VH010/052	TP80C6/90S6	8000
105,0	21,0	54	68	2,0	1,6	5,82	VH010/051	TP80C6/90S6	2500
105,0	21,0	54	68	3,4	2,8	5,82	VH010/061	TP80C6/90S6	3700
104,0	21,0	56	70	3,3	3,1	18,20	VH003/032	TP71C2	5500
104,0	21,0	56	105	3,3	2,1	18,20	VH005/032	TP71C2/80A2	5500
100,0	20,0	58	109	4,0	2,5	19,00	VH005/042	TP71C2/80A2	6600
100,0	20,0	58	219	4,0	1,2	19,00	VH010/042	TP80A2	6600
96,0	19,0	61	76	3,0	2,8	19,90	VH003/032	TP71C2	5500
96,0	19,0	61	115	3,0	1,9	19,90	VH005/032	TP71C2/80A2	5500
92,0	18,0	62	119	4,0	2,2	10,31	VH010/042	TP80B4	6600
90,0	18,0	64	121	3,6	2,2	21,00	VH005/042	TP71C2/80A2	6600
90,0	18,0	64	242	3,6	1,1	21,00	VH010/042	TP80A2	6600
89,0	18,0	63	79	4,9	4,0	6,89	VH010/052	TP80C6/90S6	8000
86,0	16,0	66	175	5,7	2,2	7,50	VH020/081	TP90S6	4000
85,0	17,0	66	83	2,6	2,1	7,19	VH010/042	TP80C6/90S6	6600
84,0	17,0	69	87	2,7	2,5	22,68	VH003/032	TP71C2	5500
84,0	17,0	69	131	2,7	1,7	22,68	VH005/032	TP71C2/80A2	5500
83,0	17,0	68	85	1,6	1,3	7,33	VH010/051	TP80C6/90S6	2500
83,0	17,0	69	133	5,9	3,2	11,51	VH010/052	TP80B4	8000
83,0	17,0	68	85	2,7	2,2	7,33	VH010/061	TP80C6/90S6	3700
82,0	16,0	71	133	3,4	2,1	23,15	VH005/042	TP71C2/80A2	6600
82,0	16,0	71	267	3,4	1,1	23,15	VH010/042	TP80A2	6600
81,0	16,0	71	136	3,7	2,0	11,80	VH010/042	TP80B4	6600
80,0	16,0	73	92	2,5	2,4	23,83	VH003/032	TP71C2	5500
80,0	16,0	73	137	2,5	1,6	23,83	VH005/032	TP71C2/80A2	5500
77,0	15,0	76	142	5,7	3,6	24,71	VH005/052	TP71C2/80A2	8000
77,0	15,0	76	285	5,7	1,8	24,71	VH010/052	TP80A2	8000
76,0	14,0	74	197	5,1	2,0	8,44	VH020/081	TP90S6	4000
73,0	15,0	80	150	3,0	1,9	26,04	VH005/042	TP71C2/80A2	6600
73,0	15,0	80	151	5,6	3,5	26,18	VH005/052	TP71C2/80A2	8000
73,0	15,0	80	300	3,0	0,9	26,04	VH010/042	TP80A2	6600
73,0	15,0	77	97	1,4	1,1	8,38	VH010/051	TP80C6/90S6	2500
73,0	15,0	80	302	5,6	1,8	26,18	VH010/052	TP80A2	8000
73,0	15,0	77	97	2,4	1,9	8,38	VH010/061	TP80C6/90S6	3700
72,0	14,0	81	101	2,3	2,1	26,39	VH003/032	TP71C2	5500
72,0	14,0	81	152	2,3	1,4	26,39	VH005/032	TP71C2/80A2	5500
72,0	14,0	78	98	4,7	3,8	8,53	VH010/052	TP80C6/90S6	8000
70,0	14,0	82	156	3,2	1,8	13,57	VH010/042	TP80B4	6600
69,0	14,0	84	158	3,1	1,9	27,50	VH005/042	TP71C2/80A2	6600
69,0	14,0	81	103	2,8	2,2	8,91	VH010/042	TP80C6/90S6	6600
69,0	14,0	84	317	3,1	1,0	27,50	VH010/042	TP80A2	6600
67,0	13,0	87	164	5,2	3,3	28,44	VH005/052	TP71C2/80A2	8000
67,0	13,0	86	164	5,2	2,9	14,24	VH010/052	TP80B4	8000
67,0	13,0	87	328	5,2	1,6	28,44	VH010/052	TP80A2	8000
64,0	13,0	91	114	2,0	1,9	29,70	VH003/032	TP71C2	5500
64,0	13,0	91	171	2,0	1,3	29,70	VH005/032	TP71C2/80A2	5500
64,0	13,0	87	110	4,5	3,7	9,56	VH010/052	TP80C6/90S6	8000
62,0	12,0	93	175	2,8	1,7	30,45	VH005/042	TP71C2/80A2	6600
60,0	12,0	96	182	4,7	2,9	31,52	VH005/052	TP71C2/80A2	8000
60,0	12,0	96	184	2,7	1,5	15,96	VH010/042	TP80B4	6600

(a) Values relating to maximum speed

(b) Values relating to minimum speed

0,75 kW

n2 (a) [rpm]	n2 (b) [rpm]	M2 (a) [Nm]	M2 (b) [Nm]	fs (a)	fs (b)	i	Gear reducer	Motor	Fr2 [N]
60,0	12,0	96	363	4,7	1,5	31,52	VH010/052	TP80A2	8000
59,0	12,0	94	119	2,7	2,2	10,31	VH010/042	TP80C6/90S6	6600
58,0	12,0	101	126	1,8	1,7	32,89	VH003/032	TP71C2	5500
58,0	12,0	101	189	1,8	1,1	32,89	VH005/032	TP71C2/80A2	5500
58,0	12,0	101	190	4,5	2,8	33,00	VH005/052	TP71C2/80A2	8000
58,0	12,0	101	380	4,5	1,4	33,00	VH010/052	TP80A2	8000
57,0	11,0	100	191	4,7	2,6	16,59	VH010/052	TP80B4	8000
56,0	11,0	104	196	2,5	1,6	34,10	VH005/042	TP71C2/80A2	6600
53,0	11,0	105	133	4,0	3,2	11,51	VH010/052	TP80C6/90S6	8000
53,0	11,0	108	207	4,4	2,4	18,00	VH010/052	TP80B4	8000
52,0	10,0	108	136	2,5	2,0	11,80	VH010/042	TP80C6/90S6	6600
50,0	10,0	116	146	1,6	1,5	37,92	VH003/032	TP71C2	5500
50,0	10,0	116	218	1,6	1,0	37,92	VH005/032	TP71C2/80A2	5500
50,0	10,0	116	218	2,2	1,4	37,76	VH005/042	TP71C2/80A2	6600
50,0	10,0	114	219	2,3	1,3	19,00	VH010/042	TP80B4	6600
49,0	9,7	119	225	3,8	2,4	38,98	VH005/052	TP71C2/80A2	8000
49,0	9,7	119	449	3,8	1,2	38,98	VH010/052	TP80A2	8000
48,0	9,5	120	230	4,0	2,2	19,97	VH010/052	TP80B4	8000
46,0	9,2	127	159	1,5	1,4	41,40	VH003/032	TP71C2	5500
46,0	9,2	127	238	1,5	0,9	41,40	VH005/032	TP71C2/80A2	5500
45,0	9,0	124	156	2,2	1,8	13,57	VH010/042	TP80C6/90S6	6600
45,0	9,0	126	242	2,1	1,1	21,00	VH010/042	TP80B4	6600
44,0	8,8	130	250	3,8	2,1	21,67	VH010/052	TP80B4	8000
44,0	8,3	128	340	5,8	2,3	14,75	VH020/062	TP90S6	12000
43,0	8,7	134	252	1,9	1,2	43,75	VH005/042	TP71C2/80A2	6600
43,0	8,6	130	164	3,6	2,9	14,24	VH010/052	TP80C6/90S6	8000
42,0	8,4	139	261	3,2	2,0	45,36	VH005/052	TP71C2/80A2	8000
42,0	8,4	139	523	3,2	1,0	45,36	VH010/052	TP80A2	8000
41,0	8,3	135	170	5,6	4,5	14,75	VH010/062	TP80C6/90S6	12000
41,0	8,2	139	267	2,0	1,1	23,15	VH010/042	TP80B4	6600
41,0	8,2	141	531	5,6	1,7	46,06	VH010/062	TP80A2	12000
40,0	8,0	145	181	1,3	1,2	47,25	VH003/032	TP71C2	5500
40,0	8,0	145	274	1,8	1,1	47,53	VH005/042	TP71C2/80A2	6600
39,0	7,7	150	283	3,0	1,9	49,13	VH005/052	TP71C2/80A2	8000
39,0	7,7	150	566	3,0	0,9	49,13	VH010/052	TP80A2	8000
38,0	7,7	146	184	1,8	1,5	15,96	VH010/042	TP80C6/90S6	6600
38,0	7,7	149	285	3,3	1,8	24,71	VH010/052	TP80B4	8000
38,0	7,7	148	558	5,3	1,7	49,45	VH010/063	TP80A2	12000
38,0	7,5	149	188	5,8	4,7	16,29	VH010/062	TP80C6/90S6	12000
37,0	7,4	152	191	3,2	2,6	16,59	VH010/052	TP80C6/90S6	8000
37,0	7,4	155	296	5,7	3,1	25,70	VH010/062	TP80B4	12000
36,0	7,3	157	300	1,7	0,9	26,04	VH010/042	TP80B4	6600
36,0	7,3	158	302	3,3	1,8	26,18	VH010/052	TP80B4	8000
36,0	6,9	154	407	5,8	2,2	17,67	VH020/062	TP90S6	12000
35,0	7,1	161	201	1,1	1,1	53,59	VH003/033	TP71C2	5500
35,0	7,0	166	312	1,6	1,0	54,25	VH005/042	TP71C2/80A2	6600
35,0	7,0	164	616	4,8	1,5	54,61	VH010/063	TP80A2	12000
35,0	6,9	165	317	1,8	1,0	27,50	VH010/042	TP80B4	6600
35,0	6,9	161	204	5,5	4,5	17,67	VH010/062	TP80C6/90S6	12000
34,0	6,8	172	323	2,6	1,6	56,11	VH005/052	TP71C2/80A2	8000
34,0	6,8	164	207	3,0	2,4	18,00	VH010/052	TP80C6/90S6	8000
33,0	6,7	171	328	3,0	1,6	28,44	VH010/052	TP80B4	8000
32,0	6,5	176	332	2,6	1,6	58,81	VH005/053	TP71C2/80A2	8000
32,0	6,5	177	338	4,7	2,6	29,33	VH010/062	TP80B4	12000
32,0	6,4	174	219	1,5	1,3	19,00	VH010/042	TP80C6/90S6	6600
32,0	6,0	176	467	5,2	2,0	20,28	VH020/062	TP90S6	12000
31,0	6,1	185	232	1,5	1,4	61,83	VH003/043	TP71C2	6600
31,0	6,1	185	349	1,5	0,9	61,83	VH005/043	TP71C2/80A2	6600

(a) Values relating to maximum speed

(b) Values relating to minimum speed

0,75 kW

n2 (a) [rpm]	n2 (b) [rpm]	M2 (a) [Nm]	M2 (b) [Nm]	fs (a)	fs (b)	i	Gear reducer	Motor	Fr2 [N]
31,0	6,1	182	230	2,7	2,2	19,97	VH010/052	TP80C6/90S6	8000
30,0	6,0	190	363	2,7	1,5	31,52	VH010/052	TP80B4	8000
30,0	6,0	185	234	4,9	4,0	20,28	VH010/062	TP80C6/90S6	12000
30,0	5,9	193	369	4,6	2,5	32,00	VH010/062	TP80B4	12000
29,0	5,8	192	242	1,4	1,1	21,00	VH010/042	TP80C6/90S6	6600
29,0	5,8	199	380	2,6	1,4	33,00	VH010/052	TP80B4	8000
28,0	5,6	198	250	2,6	2,1	21,67	VH010/052	TP80C6/90S6	8000
28,0	5,6	204	767	3,8	1,2	68,00	VH010/063	TP80A2	12000
28,0	5,2	202	536	4,5	1,7	23,27	VH020/062	TP90S6	12000
26,0	5,3	211	267	1,3	1,1	23,15	VH010/042	TP80C6/90S6	6600
26,0	5,2	218	410	2,1	1,3	72,75	VH005/053	TP71C2/80A2	8000
26,0	5,2	213	268	4,3	3,5	23,27	VH010/062	TP80C6/90S6	12000
26,0	5,1	223	426	3,8	2,1	36,99	VH010/062	TP80B4	12000
25,0	5,0	230	288	1,2	1,1	76,67	VH003/043	TP71C2	6600
25,0	4,9	226	285	2,2	1,8	24,71	VH010/052	TP80C6/90S6	8000
25,0	4,8	224	592	4,1	1,6	25,70	VH020/062	TP90S6	12000
24,0	4,9	235	449	2,2	1,2	38,98	VH010/052	TP80B4	8000
24,0	4,8	235	296	3,9	3,2	25,70	VH010/062	TP80C6/90S6	12000
24,0	4,7	243	465	3,7	2,0	40,33	VH010/062	TP80B4	12000
23,0	4,7	238	300	1,2	1,0	26,04	VH010/042	TP80C6/90S6	6600
23,0	4,7	239	302	2,2	1,8	26,18	VH010/052	TP80C6/90S6	8000
22,0	4,4	261	327	1,1	1,0	87,05	VH003/043	TP71C2	6600
22,0	4,4	251	317	1,2	1,0	27,50	VH010/042	TP80C6/90S6	6600
22,0	4,4	257	968	3,0	1,0	85,82	VH010/063	TP80A2	12000
22,0	4,2	255	676	3,4	1,3	29,33	VH020/062	TP90S6	12000
21,0	4,3	260	328	2,0	1,6	28,44	VH010/052	TP80C6/90S6	8000
21,0	4,2	271	510	1,7	1,1	90,51	VH005/053	TP71C2/80A2	8000
21,0	4,2	273	523	1,9	1,0	45,36	VH010/052	TP80B4	8000
21,0	4,2	268	338	3,2	2,6	29,33	VH010/062	TP80C6/90S6	12000
21,0	4,1	277	531	3,2	1,8	46,06	VH010/062	TP80B4	12000
20,0	3,8	278	737	3,3	1,3	32,00	VH020/062	TP90S6	12000
19,0	3,9	288	363	1,8	1,5	31,52	VH010/052	TP80C6/90S6	8000
19,0	3,9	296	566	1,7	0,9	49,13	VH010/052	TP80B4	8000
19,0	3,9	294	1106	5,6	1,8	98,09	VH010/083	TP80A2	18000
19,0	3,8	292	369	3,1	2,5	32,00	VH010/062	TP80C6/90S6	12000
19,0	3,8	291	558	3,1	1,7	49,45	VH010/063	TP80B4	12000
19,0	3,7	301	380	1,7	1,4	33,00	VH010/052	TP80C6/90S6	8000
19,0	3,6	299	792	5,7	2,2	34,38	VH020/082	TP90S6	18000
17,0	3,5	322	616	2,8	1,5	54,61	VH010/063	TP80B4	12000
17,0	3,4	333	638	5,0	2,7	56,53	VH010/083	TP80B4	18000
17,0	3,4	338	1272	4,9	1,5	112,78	VH010/083	TP80A2	18000
17,0	3,3	338	426	2,5	2,1	36,99	VH010/062	TP80C6/90S6	12000
17,0	3,3	322	852	2,7	1,0	36,99	VH020/062	TP90S6	12000
17,0	3,2	337	892	5,1	2,0	38,70	VH020/082	TP90S6	18000
16,0	3,1	356	449	1,5	1,2	38,98	VH010/052	TP80C6/90S6	8000
16,0	3,0	351	929	2,6	1,0	40,33	VH020/062	TP90S6	12000
15,0	3,1	373	1404	4,4	1,4	124,44	VH010/083	TP80A2	18000
15,0	3,0	368	465	2,5	2,0	40,33	VH010/062	TP80C6/90S6	12000
15,0	2,9	372	985	4,6	1,8	42,75	VH020/082	TP90S6	18000
14,0	2,8	401	767	2,2	1,2	68,00	VH010/063	TP80B4	12000
13,0	2,7	414	523	1,3	1,0	45,36	VH010/052	TP80C6/90S6	8000
13,0	2,7	421	531	2,2	1,8	46,06	VH010/062	TP80C6/90S6	12000
13,0	2,7	421	806	4,5	2,4	71,48	VH010/083	TP80B4	18000
13,0	2,7	426	1603	3,9	1,2	142,15	VH010/083	TP80A2	18000
13,0	2,5	419	1109	4,1	1,6	48,13	VH020/082	TP90S6	18000
12,0	2,5	449	566	1,2	1,0	49,13	VH010/052	TP80C6/90S6	8000
12,0	2,5	442	558	2,1	1,7	49,45	VH010/063	TP80C6/90S6	12000
12,0	2,5	464	1746	3,6	1,1	154,76	VH010/083	TP80A2	18000

(a) Values relating to maximum speed

(b) Values relating to minimum speed

0,75 kW

n2 (a) [rpm]	n2 (b) [rpm]	M2 (a) [Nm]	M2 (b) [Nm]	fs (a)	fs (b)	i	Gear reducer	Motor	Fr2 [N]
12,0	2,4	465	890	4,1	2,2	78,87	VH010/083	TP80B4	18000
12,0	2,3	486	1831	3,4	1,1	162,35	VH010/083	TP80A2	18000
11,0	2,2	488	616	1,9	1,5	54,61	VH010/063	TP80C6/90S6	12000
11,0	2,2	506	968	1,8	1,0	85,82	VH010/063	TP80B4	12000
11,0	2,2	506	638	3,4	2,8	56,53	VH010/083	TP80C6/90S6	18000
11,0	2,2	504	965	3,7	2,0	85,56	VH010/083	TP80B4	18000
11,0	2,2	481	1275	3,6	1,4	56,53	VH020/083	TP90S6	18000
11,0	2,1	537	2021	3,1	1,0	179,13	VH010/083	TP80A2	18000
9,7	1,9	578	1106	3,3	1,8	98,09	VH010/083	TP80B4	18000
9,0	1,8	608	767	1,5	1,2	68,00	VH010/063	TP80C6/90S6	12000
9,0	1,7	609	1613	3,2	1,2	71,48	VH020/083	TP90S6	18000
8,5	1,7	639	806	3,0	2,5	71,48	VH010/083	TP80C6/90S6	18000
8,4	1,7	665	1272	2,8	1,6	112,78	VH010/083	TP80B4	18000
8,2	1,5	672	1779	2,9	1,1	78,87	VH020/083	TP90S6	18000
7,7	1,5	706	890	2,7	2,2	78,87	VH010/083	TP80C6/90S6	18000
7,6	1,5	733	1404	2,6	1,4	124,44	VH010/083	TP80B4	18000
7,5	1,4	729	1930	2,6	1,0	85,56	VH020/083	TP90S6	18000
7,1	1,4	768	968	1,2	1,0	85,82	VH010/063	TP80C6/90S6	12000
7,1	1,4	765	965	2,5	2,0	85,56	VH010/083	TP80C6/90S6	18000
6,7	1,3	838	1603	2,2	1,2	142,15	VH010/083	TP80B4	18000
6,2	1,2	877	1106	2,2	1,8	98,09	VH010/083	TP80C6/90S6	18000
6,1	1,2	912	1746	2,1	1,1	154,76	VH010/083	TP80B4	18000
5,9	1,2	957	1831	2,0	1,1	162,35	VH010/083	TP80B4	18000
5,4	1,1	1009	1272	1,9	1,6	112,78	VH010/083	TP80C6/90S6	18000
5,3	1,1	1055	2021	1,8	1,0	179,13	VH010/083	TP80B4	18000
4,9	1,0	1113	1404	1,7	1,4	124,44	VH010/083	TP80C6/90S6	18000
4,3	0,9	1272	1603	1,5	1,2	142,15	VH010/083	TP80C6/90S6	18000
3,9	0,8	1384	1746	1,4	1,1	154,76	VH010/083	TP80C6/90S6	18000
3,8	0,8	1452	1831	1,3	1,1	162,35	VH010/083	TP80C6/90S6	18000
3,4	0,7	1602	2021	1,2	1,0	179,13	VH010/083	TP80C6/90S6	18000

0,92 kW

n2 (a) [rpm]	n2 (b) [rpm]	M2 (a) [Nm]	M2 (b) [Nm]	fs (a)	fs (b)	i	Gear reducer	Motor	Fr2 [N]
747,0	149,0	10	15	4,4	3,0	1,27	VH010/051	TP80C4	2228
669,0	134,0	11	17	5,9	4,0	1,42	VH010/051	TP80C4	2306
447,0	89,0	16	25	4,0	2,7	2,13	VH010/051	TP80C4	2500
370,0	74,0	19	30	3,8	2,6	2,57	VH010/051	TP80C4	2500
300,0	60,0	24	37	3,5	2,4	3,17	VH010/051	TP80C4	2500
300,0	60,0	24	37	5,8	3,9	3,17	VH010/061	TP80C4	3700
258,0	52,0	28	43	3,4	2,3	3,69	VH010/051	TP80C4	2500
258,0	52,0	28	43	5,7	3,8	3,69	VH010/061	TP80C4	3700
238,0	48,0	30	47	3,2	2,1	4,00	VH010/051	TP80C4	2500
238,0	48,0	30	47	5,3	3,5	4,00	VH010/061	TP80C4	3700
199,0	40,0	36	56	2,8	1,9	4,77	VH010/051	TP80C4	2500
199,0	40,0	36	56	4,7	3,2	4,77	VH010/061	TP80C4	3700
181,0	36,0	39	61	2,7	1,8	5,25	VH010/051	TP80C4	2500
181,0	36,0	39	61	4,5	3,0	5,25	VH010/061	TP80C4	3700
174,0	35,0	40	63	4,2	2,8	5,46	VH010/042	TP80C4	6600
163,0	33,0	43	68	2,4	1,6	5,82	VH010/051	TP80C4	2500
163,0	33,0	43	68	4,1	2,8	5,82	VH010/061	TP80C4	3700
138,0	28,0	51	79	6,0	4,0	6,89	VH010/052	TP80C4	8000
132,0	26,0	53	83	3,2	2,1	7,19	VH010/042	TP80C4	6600
130,0	26,0	55	85	1,9	1,3	7,33	VH010/051	TP80C4	2500
130,0	26,0	55	85	3,3	2,2	7,33	VH010/061	TP80C4	3700

(a) Values relating to maximum speed

(b) Values relating to minimum speed

0,92 kW

n2 (a) [rpm]	n2 (b) [rpm]	M2 (a) [Nm]	M2 (b) [Nm]	fs (a)	fs (b)	i	Gear reducer	Motor	Fr2 [N]
113,0	23,0	62	97	1,7	1,1	8,38	VH010/051	TP80C4	2500
113,0	23,0	62	97	2,8	1,9	8,38	VH010/061	TP80C4	3700
111,0	22,0	63	98	5,6	3,8	8,53	VH010/052	TP80C4	8000
107,0	21,0	66	103	3,3	2,2	8,91	VH010/042	TP80C4	6600
99,0	20,0	71	110	5,5	3,7	9,56	VH010/052	TP80C4	8000
92,0	18,0	76	119	3,3	2,2	10,31	VH010/042	TP80C4	6600
83,0	17,0	85	133	4,8	3,2	11,51	VH010/052	TP80C4	8000
81,0	16,0	87	136	3,0	2,0	11,80	VH010/042	TP80C4	6600
70,0	14,0	100	156	2,6	1,8	13,57	VH010/042	TP80C4	6600
67,0	13,0	105	164	4,3	2,9	14,24	VH010/052	TP80C4	8000
60,0	12,0	118	184	2,2	1,5	15,96	VH010/042	TP80C4	6600
57,0	11,0	122	191	3,8	2,6	16,59	VH010/052	TP80C4	8000
53,0	11,0	133	207	3,6	2,4	18,00	VH010/052	TP80C4	8000
50,0	10,0	140	219	1,9	1,3	19,00	VH010/042	TP80C4	6600
48,0	9,5	147	230	3,3	2,2	19,97	VH010/052	TP80C4	8000
47,0	9,4	150	234	5,9	4,0	20,28	VH010/062	TP80C4	12000
45,0	9,0	155	242	1,7	1,1	21,00	VH010/042	TP80C4	6600
44,0	8,8	160	250	3,1	2,1	21,67	VH010/052	TP80C4	8000
41,0	8,2	171	267	1,6	1,1	23,15	VH010/042	TP80C4	6600
41,0	8,2	172	268	5,2	3,5	23,27	VH010/062	TP80C4	12000
38,0	7,7	182	285	2,7	1,8	24,71	VH010/052	TP80C4	8000
37,0	7,4	190	296	4,7	3,1	25,70	VH010/062	TP80C4	12000
36,0	7,3	192	300	1,4	0,9	26,04	VH010/042	TP80C4	6600
36,0	7,3	193	302	2,7	1,8	26,18	VH010/052	TP80C4	8000
35,0	6,9	203	317	1,4	1,0	27,50	VH010/042	TP80C4	6600
33,0	6,7	210	328	2,4	1,6	28,44	VH010/052	TP80C4	8000
32,0	6,5	217	338	3,9	2,6	29,33	VH010/062	TP80C4	12000
30,0	6,0	233	363	2,2	1,5	31,52	VH010/052	TP80C4	8000
30,0	5,9	236	369	3,8	2,5	32,00	VH010/062	TP80C4	12000
29,0	5,8	244	380	2,1	1,4	33,00	VH010/052	TP80C4	8000
26,0	5,1	273	426	3,1	2,1	36,99	VH010/062	TP80C4	12000
24,0	4,9	288	449	1,8	1,2	38,98	VH010/052	TP80C4	8000
24,0	4,7	298	465	3,0	2,0	40,33	VH010/062	TP80C4	12000
21,0	4,2	335	523	1,5	1,0	45,36	VH010/052	TP80C4	8000
21,0	4,1	340	531	2,6	1,8	46,06	VH010/062	TP80C4	12000
19,0	3,9	363	566	1,4	0,9	49,13	VH010/052	TP80C4	8000
19,0	3,8	357	558	2,5	1,7	49,45	VH010/063	TP80C4	12000
17,0	3,5	395	616	2,3	1,5	54,61	VH010/063	TP80C4	12000
17,0	3,4	409	638	4,1	2,7	56,53	VH010/083	TP80C4	18000
14,0	2,8	491	767	1,8	1,2	68,00	VH010/063	TP80C4	12000
13,0	2,7	517	806	3,6	2,4	71,48	VH010/083	TP80C4	18000
12,0	2,4	570	890	3,3	2,2	78,87	VH010/083	TP80C4	18000
11,0	2,2	620	968	1,4	1,0	85,82	VH010/063	TP80C4	12000
11,0	2,2	618	965	3,0	2,0	85,56	VH010/083	TP80C4	18000
9,7	1,9	709	1106	2,7	1,8	98,09	VH010/083	TP80C4	18000
8,4	1,7	815	1272	2,3	1,6	112,78	VH010/083	TP80C4	18000
7,6	1,5	899	1404	2,1	1,4	124,44	VH010/083	TP80C4	18000
6,7	1,3	1027	1603	1,8	1,2	142,15	VH010/083	TP80C4	18000
6,1	1,2	1119	1746	1,7	1,1	154,76	VH010/083	TP80C4	18000
5,9	1,2	1173	1831	1,6	1,1	162,35	VH010/083	TP80C4	18000
5,3	1,1	1295	2021	1,5	1,0	179,13	VH010/083	TP80C4	18000

(a) Values relating to maximum speed

(b) Values relating to minimum speed

1,10 kW

n2 (a) [rpm]	n2 (b) [rpm]	M2 (a) [Nm]	M2 (b) [Nm]	fs (a)	fs (b)	i	Gear reducer	Motor	Fr2 [N]
1322,0	264,0	6	8	3,5	3,3	1,44	VH005/041	TP80B2	677
950,0	190,0	9	12	2,5	2,3	2,00	VH005/041	TP80B2	745
894,0	179,0	10	12	5,7	5,3	2,13	VH005/051	TP80B2	1932
894,0	179,0	10	25	5,7	2,6	2,13	VH010/051	TP80B2	2452
747,0	149,0	12	15	2,4	2,2	2,55	VH005/041	TP80B2	797
747,0	149,0	11	15	3,7	3,0	1,27	VH010/051	TP80D4/90S4	2044
739,0	148,0	12	15	5,5	5,1	2,57	VH005/051	TP80B2	2051
739,0	148,0	12	30	5,5	2,5	2,57	VH010/051	TP80B2	2500
700,0	140,0	12	16	2,2	2,1	2,71	VH005/041	TP80B2	811
669,0	134,0	13	17	5,0	4,0	1,42	VH010/051	TP80D4/90S4	2115
612,0	122,0	14	18	2,6	2,4	3,11	VH005/041	TP80B2	841
600,0	120,0	14	18	5,1	4,7	3,17	VH005/051	TP80B2	2188
600,0	120,0	14	37	5,1	2,4	3,17	VH010/051	TP80B2	2500
530,0	106,0	16	21	2,5	2,3	3,59	VH005/041	TP80B2	874
515,0	103,0	17	21	5,0	4,6	3,69	VH005/051	TP80B2	2293
515,0	103,0	17	43	5,0	2,3	3,69	VH010/051	TP80B2	2500
475,0	95,0	18	23	4,6	4,2	4,00	VH005/051	TP80B2	2350
475,0	95,0	18	47	4,6	2,1	4,00	VH010/051	TP80B2	2500
452,0	90,0	19	24	2,2	2,0	4,20	VH005/041	TP80B2	910
447,0	89,0	19	25	3,3	2,7	2,13	VH010/051	TP80D4/90S4	2394
405,0	81,0	21	27	4,2	3,8	4,70	VH005/032	TP80B2	3744
398,0	80,0	22	28	4,0	3,7	4,77	VH005/051	TP80B2	2479
398,0	80,0	22	56	4,0	1,9	4,77	VH010/051	TP80B2	2500
380,0	76,0	23	29	1,8	1,7	5,00	VH005/041	TP80B2	949
370,0	74,0	23	30	3,2	2,6	2,57	VH010/051	TP80D4/90S4	2500
370,0	74,0	23	30	5,5	4,4	2,57	VH010/061	TP80D4/90S4	3700
362,0	72,0	24	31	3,9	3,6	5,25	VH005/051	TP80B2	2500
362,0	72,0	24	61	3,9	1,8	5,25	VH010/051	TP80B2	2500
346,0	69,0	25	32	1,8	1,7	5,50	VH005/041	TP80B2	971
327,0	65,0	26	34	3,5	3,2	5,82	VH005/051	TP80B2	2500
327,0	65,0	26	34	5,9	5,5	5,82	VH005/061	TP80B2	3700
327,0	65,0	26	68	3,5	1,6	5,82	VH010/051	TP80B2	2500
327,0	65,0	26	68	5,9	2,7	5,82	VH010/061	TP80B2	3700
312,0	62,0	28	35	1,7	1,5	6,09	VH005/041	TP80B2	994
305,0	61,0	28	36	3,5	3,2	6,23	VH005/032	TP80B2	4049
300,0	60,0	28	37	3,0	2,4	3,17	VH010/051	TP80D4/90S4	2500
300,0	60,0	28	37	4,8	3,9	3,17	VH010/061	TP80D4/90S4	3700
264,0	53,0	32	41	4,6	4,2	7,19	VH005/042	TP80B2	5425
264,0	53,0	32	83	4,6	2,1	7,19	VH010/042	TP80B2	6600
259,0	52,0	33	43	2,8	2,5	7,33	VH005/051	TP80B2	2500
259,0	52,0	33	43	4,7	4,3	7,33	VH005/061	TP80B2	3700
259,0	52,0	33	85	2,8	1,3	7,33	VH010/051	TP80B2	2500
259,0	52,0	33	85	4,7	2,2	7,33	VH010/061	TP80B2	3700
258,0	52,0	33	43	2,9	2,3	3,69	VH010/051	TP80D4/90S4	2500
258,0	52,0	33	43	4,8	3,8	3,69	VH010/061	TP80D4/90S4	3700
248,0	50,0	35	45	1,3	1,2	7,67	VH005/041	TP80B2	1000
245,0	49,0	35	45	3,3	3,0	7,76	VH005/032	TP80B2	4294
238,0	48,0	36	47	2,6	2,1	4,00	VH010/051	TP80D4/90S4	2500
238,0	48,0	36	47	4,4	3,5	4,00	VH010/061	TP80D4/90S4	3700
227,0	45,0	38	49	2,4	2,2	8,38	VH005/051	TP80B2	2500
227,0	45,0	38	49	4,1	3,8	8,38	VH005/061	TP80B2	3700
227,0	45,0	38	97	2,4	1,1	8,38	VH010/051	TP80B2	2500
227,0	45,0	38	97	4,1	1,9	8,38	VH010/061	TP80B2	3700
217,0	43,0	40	51	1,3	1,2	8,75	VH005/041	TP80B2	1000
214,0	43,0	40	51	3,0	2,8	8,87	VH005/032	TP80B2	4444
213,0	43,0	40	51	4,8	4,4	8,91	VH005/042	TP80B2	5771
213,0	43,0	40	103	4,8	2,2	8,91	VH010/042	TP80B2	6600
199,0	40,0	43	56	2,3	1,9	4,77	VH010/051	TP80D4/90S4	2500

(a) Values relating to maximum speed

(b) Values relating to minimum speed

12.2 VH - PERFORMANCE

1,10 kW

n2 (a) [rpm]	n2 (b) [rpm]	M2 (a) [Nm]	M2 (b) [Nm]	fs (a)	fs (b)	i	Gear reducer	Motor	Fr2 [N]
199,0	40,0	43	56	3,9	3,2	4,77	VH010/061	TP80D4/90S4	3700
187,0	37,0	46	58	2,8	2,6	10,14	VH005/032	TP80B2	4595
184,0	37,0	46	59	4,8	4,4	10,31	VH005/042	TP80B2	6013
184,0	37,0	46	119	4,8	2,2	10,31	VH010/042	TP80B2	6600
181,0	36,0	47	61	2,2	1,8	5,25	VH010/051	TP80D4/90S4	2500
181,0	36,0	47	61	3,8	3,0	5,25	VH010/061	TP80D4/90S4	3700
174,0	35,0	48	63	3,5	2,8	5,46	VH010/042	TP80D4/90S4	6110
166,0	33,0	51	66	5,4	4,3	5,73	VH010/052	TP80D4/90S4	7890
163,0	33,0	52	68	2,0	1,6	5,82	VH010/051	TP80D4/90S4	2500
163,0	33,0	52	68	3,4	2,8	5,82	VH010/061	TP80D4/90S4	3700
162,0	32,0	53	68	2,5	2,3	11,76	VH005/032	TP80B2	4762
161,0	32,0	53	68	4,3	4,0	11,80	VH005/042	TP80B2	6241
161,0	32,0	53	136	4,3	2,0	11,80	VH010/042	TP80B2	6600
140,0	28,0	61	78	3,8	3,5	13,57	VH005/042	TP80B2	6481
140,0	28,0	61	156	3,8	1,7	13,57	VH010/042	TP80B2	6600
139,0	28,0	62	79	2,5	2,3	13,72	VH005/032	TP80B2	4932
138,0	28,0	61	79	5,0	4,0	6,89	VH010/052	TP80D4/90S4	8000
138,0	26,0	60	109	5,7	3,2	4,67	VH020/081	TP90L6	4000
133,0	25,0	64	175	5,7	2,2	7,50	VH020/081	TP90S4	4000
132,0	26,0	63	83	2,6	2,1	7,19	VH010/042	TP80D4/90S4	6581
130,0	26,0	66	84	2,4	2,2	14,66	VH005/032	TP80B2	5004
130,0	26,0	65	85	1,6	1,3	7,33	VH010/051	TP80D4/90S4	2500
130,0	26,0	65	85	2,7	2,2	7,33	VH010/061	TP80D4/90S4	3700
119,0	24,0	72	92	3,2	3,0	15,96	VH005/042	TP80B2	6600
119,0	24,0	72	184	3,2	1,5	15,96	VH010/042	TP80B2	6600
118,0	23,0	72	197	5,1	2,0	8,44	VH020/081	TP90S4	4000
116,0	22,0	71	129	5,0	2,8	5,54	VH020/081	TP90L6	4000
115,0	23,0	74	96	5,6	5,1	16,59	VH005/052	TP80B2	8000
115,0	23,0	74	191	5,6	2,6	16,59	VH010/052	TP80B2	8000
113,0	23,0	75	97	2,3	2,1	16,77	VH005/032	TP80B2	5148
113,0	23,0	75	97	1,4	1,1	8,38	VH010/051	TP80D4/90S4	2500
113,0	23,0	75	97	2,4	1,9	8,38	VH010/061	TP80D4/90S4	3700
111,0	22,0	75	98	4,7	3,8	8,53	VH010/052	TP80D4/90S4	8000
107,0	21,0	79	103	2,8	2,2	8,91	VH010/042	TP80D4/90S4	6600
106,0	21,0	81	104	5,2	4,8	18,00	VH005/052	TP80B2	8000
106,0	21,0	81	207	5,2	2,4	18,00	VH010/052	TP80B2	8000
106,0	20,0	78	142	4,6	2,6	6,08	VH020/081	TP90L6	4000
104,0	21,0	82	105	2,3	2,1	18,20	VH005/032	TP80B2	5232
100,0	20,0	85	109	2,7	2,5	19,00	VH005/042	TP80B2	6600
100,0	20,0	85	219	2,7	1,2	19,00	VH010/042	TP80B2	6600
99,0	20,0	84	110	4,6	3,7	9,56	VH010/052	TP80D4/90S4	8000
96,0	19,0	89	115	2,1	1,9	19,90	VH005/032	TP80B2	5321
95,0	19,0	90	115	4,7	4,3	19,97	VH005/052	TP80B2	8000
95,0	19,0	90	230	4,7	2,2	19,97	VH010/052	TP80B2	8000
92,0	18,0	91	119	2,8	2,2	10,31	VH010/042	TP80D4/90S4	6600
90,0	18,0	94	121	2,4	2,2	21,00	VH005/042	TP80B2	6600
90,0	18,0	94	242	2,4	1,1	21,00	VH010/042	TP80B2	6600
88,0	18,0	97	125	4,5	4,1	21,67	VH005/052	TP80B2	8000
88,0	18,0	97	250	4,5	2,0	21,67	VH010/052	TP80B2	8000
86,0	16,0	97	175	3,9	2,2	7,50	VH020/081	TP90L6	4000
84,0	17,0	102	131	1,8	1,7	22,68	VH005/032	TP80B2	5445
83,0	17,0	102	133	4,0	3,2	11,51	VH010/052	TP80D4/90S4	8000
82,0	16,0	104	133	2,3	2,1	23,15	VH005/042	TP80B2	6600
82,0	16,0	104	267	2,3	1,1	23,15	VH010/042	TP80B2	6600
81,0	16,0	104	136	2,5	2,0	11,80	VH010/042	TP80D4/90S4	6600
80,0	16,0	107	137	1,7	1,6	23,83	VH005/032	TP80B2	5489
77,0	15,0	111	142	3,9	3,6	24,71	VH005/052	TP80B2	8000
77,0	15,0	111	285	3,9	1,8	24,71	VH010/052	TP80B2	8000

(a) Values relating to maximum speed

(b) Values relating to minimum speed

12.2 VH - PERFORMANCE

1,10 kW

n2 (a) [rpm]	n2 (b) [rpm]	M2 (a) [Nm]	M2 (b) [Nm]	fs (a)	fs (b)	i	Gear reducer	Motor	Fr2 [N]
76,0	14,0	108	196	5,9	3,4	8,50	VH020/062	TP90L6	12000
76,0	14,0	109	197	3,4	2,0	8,44	VH020/081	TP90L6	4000
73,0	15,0	117	150	2,0	1,9	26,04	VH005/042	TP80B2	6600
73,0	15,0	118	151	3,8	3,5	26,18	VH005/052	TP80B2	8000
73,0	15,0	117	300	2,0	0,9	26,04	VH010/042	TP80B2	6600
73,0	15,0	118	302	3,8	1,8	26,18	VH010/052	TP80B2	8000
72,0	14,0	118	152	1,6	1,4	26,39	VH005/032	TP80B2	5500
70,0	14,0	120	156	2,2	1,8	13,57	VH010/042	TP80D4/90S4	6600
69,0	14,0	123	158	2,1	1,9	27,50	VH005/042	TP80B2	6600
69,0	14,0	123	317	2,1	1,0	27,50	VH010/042	TP80B2	6600
68,0	13,0	120	216	5,4	3,0	9,39	VH020/062	TP90L6	12000
68,0	13,0	124	340	5,9	2,3	14,75	VH020/062	TP90S4	12000
67,0	13,0	128	164	3,5	3,3	28,44	VH005/052	TP80B2	8000
67,0	13,0	126	164	3,6	2,9	14,24	VH010/052	TP80D4/90S4	8000
67,0	13,0	128	328	3,5	1,6	28,44	VH010/052	TP80B2	8000
65,0	13,0	132	338	5,6	2,6	29,33	VH010/062	TP80B2	12000
64,0	13,0	133	171	1,4	1,3	29,70	VH005/032	TP80B2	5500
64,0	13,0	130	170	5,6	4,5	14,75	VH010/062	TP80D4/90S4	12000
62,0	12,0	137	175	1,9	1,7	30,45	VH005/042	TP80B2	6600
60,0	12,0	141	182	3,2	2,9	31,52	VH005/052	TP80B2	8000
60,0	12,0	141	184	1,9	1,5	15,96	VH010/042	TP80D4/90S4	6600
60,0	12,0	141	363	3,2	1,5	31,52	VH010/052	TP80B2	8000
59,0	12,0	144	369	5,4	2,5	32,00	VH010/062	TP80B2	12000
58,0	12,0	148	189	1,2	1,1	32,89	VH005/032	TP80B2	5500
58,0	12,0	148	190	3,0	2,8	33,00	VH005/052	TP80B2	8000
58,0	12,0	148	380	3,0	1,4	33,00	VH010/052	TP80B2	8000
58,0	12,0	144	188	5,8	4,7	16,29	VH010/062	TP80D4/90S4	12000
57,0	11,0	146	191	3,2	2,6	16,59	VH010/052	TP80D4/90S4	8000
57,0	11,0	148	407	5,8	2,2	17,67	VH020/062	TP90S4	12000
56,0	11,0	153	196	1,7	1,6	34,10	VH005/042	TP80B2	6600
55,0	10,0	149	269	4,7	2,6	11,69	VH020/062	TP90L6	12000
54,0	11,0	156	204	5,6	4,5	17,67	VH010/062	TP80D4/90S4	12000
53,0	11,0	159	207	3,0	2,4	18,00	VH010/052	TP80D4/90S4	8000
51,0	10,0	166	426	4,4	2,0	36,99	VH010/062	TP80B2	12000
51,0	9,6	162	292	4,6	2,6	12,67	VH020/062	TP90L6	12000
50,0	10,0	170	218	1,1	1,0	37,92	VH005/032	TP80B2	5500
50,0	10,0	170	218	1,5	1,4	37,76	VH005/042	TP80B2	6600
50,0	10,0	168	219	1,6	1,3	19,00	VH010/042	TP80D4/90S4	6600
49,0	9,7	175	225	2,6	2,4	38,98	VH005/052	TP80B2	8000
49,0	9,7	175	449	2,6	1,2	38,98	VH010/052	TP80B2	8000
49,0	9,4	170	467	5,2	2,0	20,28	VH020/062	TP90S4	12000
48,0	9,5	176	230	2,7	2,2	19,97	VH010/052	TP80D4/90S4	8000
47,0	9,4	179	234	5,0	4,0	20,28	VH010/062	TP80D4/90S4	12000
47,0	9,4	181	465	4,3	2,0	40,33	VH010/062	TP80B2	12000
46,0	9,2	186	238	1,0	0,9	41,40	VH005/032	TP80B2	5500
45,0	9,0	185	242	1,4	1,1	21,00	VH010/042	TP80D4/90S4	6600
44,0	8,8	191	250	2,6	2,1	21,67	VH010/052	TP80D4/90S4	8000
44,0	8,3	188	340	4,0	2,3	14,75	VH020/062	TP90L6	12000
43,0	8,7	196	252	1,3	1,2	43,75	VH005/042	TP80B2	6600
43,0	8,2	196	536	4,5	1,7	23,27	VH020/062	TP90S4	12000
42,0	8,4	204	261	2,2	2,0	45,36	VH005/052	TP80B2	8000
42,0	8,4	204	523	2,2	1,0	45,36	VH010/052	TP80B2	8000
41,0	8,2	204	267	1,3	1,1	23,15	VH010/042	TP80D4/90S4	6600
41,0	8,2	205	268	4,3	3,5	23,27	VH010/062	TP80D4/90S4	12000
41,0	8,2	207	531	3,8	1,7	46,06	VH010/062	TP80B2	12000
40,0	8,0	213	274	1,2	1,1	47,53	VH005/042	TP80B2	6600
39,0	7,7	221	283	2,0	1,9	49,13	VH005/052	TP80B2	8000
39,0	7,7	221	566	2,0	0,9	49,13	VH010/052	TP80B2	8000

(a) Values relating to maximum speed

(b) Values relating to minimum speed

12.2 VH - PERFORMANCE

1,10 kW

n2 (a) [rpm]	n2 (b) [rpm]	M2 (a) [Nm]	M2 (b) [Nm]	fs (a)	fs (b)	i	Gear reducer	Motor	Fr2 [N]
39,0	7,5	208	375	4,1	2,3	16,29	VH020/062	TP90L6	12000
39,0	7,4	216	592	4,1	1,6	25,70	VH020/062	TP90S4	12000
38,0	7,7	218	285	2,3	1,8	24,71	VH010/052	TP80D4/90S4	8000
38,0	7,7	217	558	3,6	1,7	49,45	VH010/063	TP80B2	12000
37,0	7,4	227	296	3,9	3,1	25,70	VH010/062	TP80D4/90S4	12000
36,0	7,3	230	300	1,2	0,9	26,04	VH010/042	TP80D4/90S4	6600
36,0	7,3	231	302	2,2	1,8	26,18	VH010/052	TP80D4/90S4	8000
36,0	6,9	225	407	3,9	2,2	17,67	VH020/062	TP90L6	12000
35,0	7,0	244	312	1,1	1,0	54,25	VH005/042	TP80B2	6600
35,0	7,0	240	616	3,3	1,5	54,61	VH010/063	TP80B2	12000
35,0	6,9	243	317	1,2	1,0	27,50	VH010/042	TP80D4/90S4	6600
34,0	6,8	252	323	1,8	1,6	56,11	VH005/052	TP80B2	8000
34,0	6,7	248	638	5,9	2,7	56,53	VH010/083	TP80B2	18000
34,0	6,5	246	676	3,4	1,3	29,33	VH020/062	TP90S4	12000
33,0	6,7	251	328	2,0	1,6	28,44	VH010/052	TP80D4/90S4	8000
32,0	6,5	258	332	1,8	1,6	58,81	VH005/053	TP80B2	8000
32,0	6,5	259	338	3,2	2,6	29,33	VH010/062	TP80D4/90S4	12000
32,0	6,0	259	467	3,5	2,0	20,28	VH020/062	TP90L6	12000
31,0	6,1	272	349	1,0	0,9	61,83	VH005/043	TP80B2	6600
31,0	5,9	269	737	3,3	1,3	32,00	VH020/062	TP90S4	12000
30,0	6,0	278	363	1,8	1,5	31,52	VH010/052	TP80D4/90S4	8000
30,0	5,9	282	369	3,1	2,5	32,00	VH010/062	TP80D4/90S4	12000
29,0	5,8	291	380	1,8	1,4	33,00	VH010/052	TP80D4/90S4	8000
29,0	5,5	289	792	5,8	2,2	34,38	VH020/082	TP90S4	18000
28,0	5,6	299	767	2,6	1,2	68,00	VH010/063	TP80B2	12000
28,0	5,4	291	525	5,9	3,3	22,80	VH020/082	TP90L6	18000
28,0	5,2	297	536	3,1	1,7	23,27	VH020/062	TP90L6	12000
27,0	5,3	314	806	5,3	2,4	71,48	VH010/083	TP80B2	18000
27,0	5,1	311	852	2,7	1,0	36,99	VH020/062	TP90S4	12000
26,0	5,2	320	410	1,4	1,3	72,75	VH005/053	TP80B2	8000
26,0	5,1	326	426	2,6	2,1	36,99	VH010/062	TP80D4/90S4	12000
26,0	4,9	325	892	5,1	2,0	38,70	VH020/082	TP90S4	18000
25,0	4,8	328	592	2,8	1,6	25,70	VH020/062	TP90L6	12000
25,0	4,7	339	929	2,6	1,0	40,33	VH020/062	TP90S4	12000
24,0	4,9	344	449	1,5	1,2	38,98	VH010/052	TP80D4/90S4	8000
24,0	4,8	347	890	4,8	2,2	78,87	VH010/083	TP80B2	18000
24,0	4,7	356	465	2,5	2,0	40,33	VH010/062	TP80D4/90S4	12000
24,0	4,6	339	613	5,1	2,9	26,60	VH020/082	TP90L6	18000
23,0	4,4	356	642	4,8	2,7	27,88	VH020/082	TP90L6	18000
23,0	4,4	359	985	4,6	1,8	42,75	VH020/082	TP90S4	18000
22,0	4,4	377	968	2,1	1,0	85,82	VH010/063	TP80B2	12000
22,0	4,4	376	965	4,4	2,0	85,56	VH010/083	TP80B2	18000
22,0	4,2	374	676	2,3	1,3	29,33	VH020/062	TP90L6	12000
21,0	4,2	398	510	1,2	1,1	90,51	VH005/053	TP80B2	8000
21,0	4,2	400	523	1,3	1,0	45,36	VH010/052	TP80D4/90S4	8000
21,0	4,1	407	531	2,2	1,8	46,06	VH010/062	TP80D4/90S4	12000
21,0	3,9	397	718	4,3	2,4	31,15	VH020/082	TP90L6	18000
21,0	3,9	404	1109	4,1	1,6	48,13	VH020/082	TP90S4	18000
20,0	3,8	408	737	2,2	1,3	32,00	VH020/062	TP90L6	12000
19,0	3,9	434	566	1,2	0,9	49,13	VH010/052	TP80D4/90S4	8000
19,0	3,9	431	1106	3,8	1,8	98,09	VH010/083	TP80B2	18000
19,0	3,8	427	558	2,1	1,7	49,45	VH010/063	TP80D4/90S4	12000
19,0	3,6	439	792	3,9	2,2	34,38	VH020/082	TP90L6	18000
18,0	3,4	465	1275	3,6	1,4	56,53	VH020/083	TP90S4	18000
17,0	3,5	472	616	1,9	1,5	54,61	VH010/063	TP80D4/90S4	12000
17,0	3,4	488	638	3,4	2,7	56,53	VH010/083	TP80D4/90S4	18000
17,0	3,4	496	1272	3,3	1,5	112,78	VH010/083	TP80B2	18000
17,0	3,3	472	852	1,8	1,0	36,99	VH020/062	TP90L6	12000

(a) Values relating to maximum speed

(b) Values relating to minimum speed

12.2 VH - PERFORMANCE

1,10 kW

n2 (a) [rpm]	n2 (b) [rpm]	M2 (a) [Nm]	M2 (b) [Nm]	fs (a)	fs (b)	i	Gear reducer	Motor	Fr2 [N]
17,0	3,2	494	892	3,5	2,0	38,70	VH020/082	TP90L6	18000
16,0	3,0	515	929	1,8	1,0	40,33	VH020/062	TP90L6	12000
15,0	3,1	547	1404	3,0	1,4	124,44	VH010/083	TP80B2	18000
15,0	2,9	545	985	3,1	1,8	42,75	VH020/082	TP90L6	18000
14,0	2,8	588	767	1,5	1,2	68,00	VH010/063	TP80D4/90S4	12000
14,0	2,7	588	1613	3,2	1,2	71,48	VH020/083	TP90S4	18000
13,0	2,7	618	806	3,0	2,4	71,48	VH010/083	TP80D4/90S4	18000
13,0	2,7	625	1603	2,7	1,2	142,15	VH010/083	TP80B2	18000
13,0	2,5	614	1109	2,8	1,6	48,13	VH020/082	TP90L6	18000
13,0	2,4	649	1779	2,9	1,1	78,87	VH020/083	TP90S4	18000
12,0	2,5	680	1746	2,4	1,1	154,76	VH010/083	TP80B2	18000
12,0	2,4	682	890	2,8	2,2	78,87	VH010/083	TP80D4/90S4	18000
12,0	2,3	714	1831	2,3	1,1	162,35	VH010/083	TP80B2	18000
12,0	2,2	704	1930	2,7	1,0	85,56	VH020/083	TP90S4	18000
11,0	2,2	742	968	1,2	1,0	85,82	VH010/063	TP80D4/90S4	12000
11,0	2,2	739	965	2,5	2,0	85,56	VH010/083	TP80D4/90S4	18000
11,0	2,2	706	1275	2,4	1,4	56,53	VH020/083	TP90L6	18000
11,0	2,1	787	2021	2,1	1,0	179,13	VH010/083	TP80B2	18000
9,7	1,9	848	1106	2,2	1,8	98,09	VH010/083	TP80D4/90S4	18000
9,0	1,7	893	1613	2,2	1,2	71,48	VH020/083	TP90L6	18000
8,4	1,7	975	1272	1,9	1,6	112,78	VH010/083	TP80D4/90S4	18000
8,2	1,5	985	1779	2,0	1,1	78,87	VH020/083	TP90L6	18000
7,6	1,5	1075	1404	1,8	1,4	124,44	VH010/083	TP80D4/90S4	18000
7,5	1,4	1069	1930	1,8	1,0	85,56	VH020/083	TP90L6	18000
6,7	1,3	1228	1603	1,5	1,2	142,15	VH010/083	TP80D4/90S4	18000
6,1	1,2	1337	1746	1,4	1,1	154,76	VH010/083	TP80D4/90S4	18000
5,9	1,2	1403	1831	1,3	1,1	162,35	VH010/083	TP80D4/90S4	18000
5,3	1,1	1548	2021	1,2	1,0	179,13	VH010/083	TP80D4/90S4	18000

1,50 kW

n2 (a) [rpm]	n2 (b) [rpm]	M2 (a) [Nm]	M2 (b) [Nm]	fs (a)	fs (b)	i	Gear reducer	Motor	Fr2 [N]
1493,0	299,0	8	15	4,7	2,9	1,27	VH010/051	TP80C2/90S2	1881
894,0	179,0	13	25	4,2	2,6	2,13	VH010/051	TP80C2/90S2	2201
739,0	148,0	16	30	4,1	2,5	2,57	VH010/051	TP80C2/90S2	2330
600,0	120,0	20	37	3,8	2,4	3,17	VH010/051	TP80C2/90S2	2477
515,0	103,0	23	43	3,6	2,3	3,69	VH010/051	TP80C2/90S2	2500
475,0	95,0	25	47	3,4	2,1	4,00	VH010/051	TP80C2/90S2	2500
475,0	95,0	25	47	5,6	3,5	4,00	VH010/061	TP80C2/90S2	3700
398,0	80,0	29	56	3,0	1,9	4,77	VH010/051	TP80C2/90S2	2500
398,0	80,0	29	56	5,0	3,1	4,77	VH010/061	TP80C2/90S2	3700
362,0	72,0	32	61	2,8	1,8	5,25	VH010/051	TP80C2/90S2	2500
362,0	72,0	32	61	4,8	3,0	5,25	VH010/061	TP80C2/90S2	3700
348,0	70,0	33	63	4,4	2,8	5,46	VH010/042	TP80C2/90S2	5598
327,0	65,0	36	68	2,6	1,6	5,82	VH010/051	TP80C2/90S2	2500
327,0	65,0	36	68	4,4	2,7	5,82	VH010/061	TP80C2/90S2	3700
264,0	53,0	44	83	3,3	2,1	7,19	VH010/042	TP80C2/90S2	6019
259,0	52,0	45	85	2,0	1,3	7,33	VH010/051	TP80C2/90S2	2500
259,0	52,0	45	85	3,5	2,2	7,33	VH010/061	TP80C2/90S2	3700
227,0	45,0	52	97	1,8	1,1	8,38	VH010/051	TP80C2/90S2	2500
227,0	45,0	52	97	3,0	1,9	8,38	VH010/061	TP80C2/90S2	3700
223,0	45,0	52	98	6,0	3,8	8,53	VH010/052	TP80C2/90S2	8000
213,0	43,0	55	103	3,5	2,2	8,91	VH010/042	TP80C2/90S2	6353
199,0	40,0	59	110	5,8	3,7	9,56	VH010/052	TP80C2/90S2	8000
198,0	38,0	57	76	5,8	4,5	3,25	VH020/081	TP100LA6	4000

(a) Values relating to maximum speed

(b) Values relating to minimum speed

1,50 kW

n2 (a) [rpm]	n2 (b) [rpm]	M2 (a) [Nm]	M2 (b) [Nm]	fs (a)	fs (b)	i	Gear reducer	Motor	Fr2 [N]
198,0	38,0	57	151	5,8	2,2	3,25	VH030/081	TP100LA6	4000
184,0	37,0	63	119	3,5	2,2	10,31	VH010/042	TP80C2/90S2	6579
181,0	34,0	64	129	5,4	2,8	5,54	VH020/081	TP90LA4	4000
173,0	33,0	65	87	5,1	3,9	3,72	VH020/081	TP100LA6	4000
173,0	33,0	65	173	5,1	2,0	3,72	VH030/081	TP100LA6	4000
165,0	33,0	70	133	5,1	3,2	11,51	VH010/052	TP80C2/90S2	8000
164,0	31,0	70	142	5,0	2,6	6,08	VH020/081	TP90LA4	4000
161,0	32,0	72	136	3,2	2,0	11,80	VH010/042	TP80C2/90S2	6600
161,0	31,0	70	93	4,9	3,8	4,00	VH020/081	TP100LA6	4000
161,0	31,0	70	186	4,9	1,9	4,00	VH030/081	TP100LA6	4000
140,0	28,0	83	156	2,8	1,7	13,57	VH010/042	TP80C2/90S2	6600
138,0	26,0	82	109	4,2	3,2	4,67	VH020/081	TP100LA6	4000
138,0	26,0	82	217	4,2	1,6	4,67	VH030/081	TP100LA6	4000
133,0	27,0	87	164	4,5	2,9	14,24	VH010/052	TP80C2/90S2	8000
133,0	25,0	87	175	4,2	2,2	7,50	VH020/081	TP90LA4	4000
120,0	23,0	94	124	5,7	4,4	5,38	VH020/062	TP100LA6	12000
120,0	23,0	94	248	5,7	2,2	5,38	VH030/062	TP100LA6	12000
119,0	24,0	98	184	2,4	1,5	15,96	VH010/042	TP80C2/90S2	6600
118,0	23,0	98	197	3,7	2,0	8,44	VH020/081	TP90LA4	4000
116,0	22,0	97	129	3,6	2,8	5,54	VH020/081	TP100LA6	4000
116,0	22,0	97	258	3,6	1,4	5,54	VH030/081	TP100LA6	4000
115,0	23,0	102	191	4,1	2,6	16,59	VH010/052	TP80C2/90S2	8000
108,0	21,0	103	137	5,7	4,4	5,93	VH020/062	TP100LA6	12000
108,0	21,0	103	273	5,7	2,2	5,93	VH030/062	TP100LA6	12000
107,0	20,0	108	216	5,8	3,0	9,39	VH020/062	TP90LA4	12000
106,0	21,0	110	207	3,8	2,4	18,00	VH010/052	TP80C2/90S2	8000
106,0	20,0	107	142	3,4	2,6	6,08	VH020/081	TP100LA6	4000
106,0	20,0	107	283	3,4	1,3	6,08	VH030/081	TP100LA6	4000
100,0	20,0	116	219	2,0	1,2	19,00	VH010/042	TP80C2/90S2	6600
95,0	19,0	122	230	3,5	2,2	19,97	VH010/052	TP80C2/90S2	8000
90,0	18,0	129	242	1,8	1,1	21,00	VH010/042	TP80C2/90S2	6600
88,0	18,0	133	250	3,3	2,0	21,67	VH010/052	TP80C2/90S2	8000
87,0	17,0	129	170	4,6	3,5	7,39	VH020/062	TP100LA6	12000
87,0	17,0	129	341	4,6	1,8	7,39	VH030/062	TP100LA6	12000
86,0	16,0	134	269	5,1	2,6	11,69	VH020/062	TP90LA4	12000
86,0	16,0	136	536	5,7	1,7	23,27	VH020/062	TP90S2	12000
86,0	16,0	132	175	2,8	2,2	7,50	VH020/081	TP100LA6	4000
86,0	16,0	132	349	2,8	1,1	7,50	VH030/081	TP100LA6	4000
85,0	16,0	133	351	5,3	2,0	7,55	VH030/101	TP100LA6	5000
82,0	16,0	142	267	1,7	1,1	23,15	VH010/042	TP80C2/90S2	6600
82,0	16,0	142	268	5,5	3,4	23,27	VH010/062	TP80C2/90S2	12000
79,0	15,0	145	292	5,0	2,6	12,67	VH020/062	TP90LA4	12000
78,0	15,0	150	592	5,1	1,6	25,70	VH020/062	TP90S2	12000
77,0	15,0	151	285	2,9	1,8	24,71	VH010/052	TP80C2/90S2	8000
77,0	15,0	148	391	4,7	1,8	8,40	VH030/101	TP100LA6	5000
76,0	14,0	148	196	4,3	3,4	8,50	VH020/062	TP100LA6	12000
76,0	14,0	148	197	2,5	2,0	8,44	VH020/081	TP100LA6	4000
76,0	14,0	148	392	4,3	1,7	8,50	VH030/062	TP100LA6	12000
76,0	14,0	148	393	2,5	1,0	8,44	VH030/081	TP100LA6	4000
74,0	15,0	157	296	5,0	3,1	25,70	VH010/062	TP80C2/90S2	12000
73,0	15,0	159	300	1,5	0,9	26,04	VH010/042	TP80C2/90S2	6600
73,0	15,0	160	302	2,8	1,8	26,18	VH010/052	TP80C2/90S2	8000
69,0	14,0	168	317	1,5	1,0	27,50	VH010/042	TP80C2/90S2	6600
68,0	13,0	163	216	3,9	3,0	9,39	VH020/062	TP100LA6	12000
68,0	13,0	169	340	4,3	2,3	14,75	VH020/062	TP90LA4	12000
68,0	13,0	171	676	4,2	1,3	29,33	VH020/062	TP90S2	12000
68,0	13,0	163	432	3,9	1,5	9,39	VH030/062	TP100LA6	12000
67,0	13,0	174	328	2,6	1,6	28,44	VH010/052	TP80C2/90S2	8000

(a) Values relating to maximum speed

(b) Values relating to minimum speed

12.2 VH - PERFORMANCE

1,50 kW

n2 (a) [rpm]	n2 (b) [rpm]	M2 (a) [Nm]	M2 (b) [Nm]	fs (a)	fs (b)	i	Gear reducer	Motor	Fr2 [N]
65,0	13,0	180	338	4,1	2,6	29,33	VH010/062	TP80C2/90S2	12000
63,0	12,0	186	737	4,1	1,3	32,00	VH020/062	TP90S2	12000
61,0	12,0	187	375	4,5	2,3	16,29	VH020/062	TP90LA4	12000
60,0	12,0	193	363	2,3	1,5	31,52	VH010/052	TP80C2/90S2	8000
59,0	12,0	196	369	4,0	2,5	32,00	VH010/062	TP80C2/90S2	12000
58,0	12,0	202	380	2,2	1,4	33,00	VH010/052	TP80C2/90S2	8000
57,0	11,0	202	407	4,3	2,2	17,67	VH020/062	TP90LA4	12000
55,0	10,0	203	269	3,4	2,6	11,69	VH020/062	TP100LA6	12000
55,0	10,0	203	539	3,4	1,3	11,69	VH030/062	TP100LA6	12000
54,0	10,0	215	852	3,4	1,0	36,99	VH020/062	TP90S2	12000
51,0	10,0	226	426	3,3	2,0	36,99	VH010/062	TP80C2/90S2	12000
51,0	9,6	220	292	3,4	2,6	12,67	VH020/062	TP100LA6	12000
51,0	9,6	220	584	3,4	1,3	12,67	VH030/062	TP100LA6	12000
50,0	9,4	235	929	3,3	1,0	40,33	VH020/062	TP90S2	12000
49,0	9,7	239	449	1,9	1,2	38,98	VH010/052	TP80C2/90S2	8000
49,0	9,4	232	467	3,8	2,0	20,28	VH020/062	TP90LA4	12000
47,0	9,4	247	465	3,2	2,0	40,33	VH010/062	TP80C2/90S2	12000
47,0	8,9	249	985	5,8	1,8	42,75	VH020/082	TP90S2	18000
44,0	8,3	257	340	2,9	2,3	14,75	VH020/062	TP100LA6	12000
44,0	8,3	257	680	2,9	1,1	14,75	VH030/062	TP100LA6	12000
43,0	8,2	267	536	3,3	1,7	23,27	VH020/062	TP90LA4	12000
42,0	8,4	278	523	1,6	1,0	45,36	VH010/052	TP80C2/90S2	8000
42,0	7,9	280	1109	5,2	1,6	48,13	VH020/082	TP90S2	18000
41,0	8,2	282	531	2,8	1,7	46,06	VH010/062	TP80C2/90S2	12000
39,0	7,7	301	566	1,5	0,9	49,13	VH010/052	TP80C2/90S2	8000
39,0	7,5	283	375	3,0	2,3	16,29	VH020/062	TP100LA6	12000
39,0	7,5	283	750	3,0	1,2	16,29	VH030/062	TP100LA6	12000
39,0	7,4	294	592	3,0	1,6	25,70	VH020/062	TP90LA4	12000
39,0	7,4	289	383	5,6	4,3	16,62	VH020/082	TP100LA6	18000
39,0	7,4	289	766	5,6	2,2	16,62	VH030/082	TP100LA6	18000
38,0	7,7	296	558	2,6	1,7	49,45	VH010/063	TP80C2/90S2	12000
38,0	7,1	305	613	5,5	2,9	26,60	VH020/082	TP90LA4	18000
36,0	6,9	307	407	2,9	2,2	17,67	VH020/062	TP100LA6	12000
36,0	6,9	307	814	2,9	1,1	17,67	VH030/062	TP100LA6	12000
36,0	6,8	319	642	5,2	2,7	27,88	VH020/082	TP90LA4	18000
35,0	7,0	327	616	2,4	1,5	54,61	VH010/063	TP80C2/90S2	12000
35,0	6,7	322	1275	4,5	1,4	56,53	VH020/083	TP90S2	18000
35,0	6,6	322	427	5,0	3,9	18,53	VH020/082	TP100LA6	18000
35,0	6,6	322	854	5,0	1,9	18,53	VH030/082	TP100LA6	18000
34,0	6,7	339	638	4,3	2,7	56,53	VH010/083	TP80C2/90S2	18000
34,0	6,5	336	676	2,5	1,3	29,33	VH020/062	TP90LA4	12000
33,0	6,3	337	447	5,1	3,9	19,38	VH020/082	TP100LA6	18000
33,0	6,3	337	893	5,1	2,0	19,38	VH030/082	TP100LA6	18000
32,0	6,1	357	718	4,7	2,4	31,15	VH020/082	TP90LA4	18000
32,0	6,0	353	467	2,6	2,0	20,28	VH020/062	TP100LA6	12000
32,0	6,0	353	935	2,6	1,0	20,28	VH030/062	TP100LA6	12000
31,0	5,9	367	737	2,4	1,3	32,00	VH020/062	TP90LA4	12000
30,0	5,7	372	493	4,6	3,6	21,39	VH020/082	TP100LA6	18000
30,0	5,7	372	986	4,6	1,8	21,39	VH030/082	TP100LA6	18000
29,0	5,5	394	792	4,2	2,2	34,38	VH020/082	TP90LA4	18000
28,0	5,6	408	767	1,9	1,2	68,00	VH010/063	TP80C2/90S2	12000
28,0	5,4	397	525	4,3	3,3	22,80	VH020/082	TP100LA6	18000
28,0	5,4	397	1051	4,3	1,7	22,80	VH030/082	TP100LA6	18000
28,0	5,3	408	1613	4,0	1,2	71,48	VH020/083	TP90S2	18000
28,0	5,2	405	536	2,3	1,7	23,27	VH020/062	TP100LA6	12000
27,0	5,3	428	806	3,9	2,4	71,48	VH010/083	TP80C2/90S2	18000
27,0	5,1	424	852	2,0	1,0	36,99	VH020/062	TP90LA4	12000
26,0	4,9	443	892	3,8	2,0	38,70	VH020/082	TP90LA4	18000

(a) Values relating to maximum speed

(b) Values relating to minimum speed

1,50 kW

n2 (a) [rpm]	n2 (b) [rpm]	M2 (a) [Nm]	M2 (b) [Nm]	fs (a)	fs (b)	i	Gear reducer	Motor	Fr2 [N]
25,0	4,8	447	592	2,0	1,6	25,70	VH020/062	TP100LA6	12000
25,0	4,8	450	1779	3,6	1,1	78,87	VH020/083	TP90S2	18000
25,0	4,7	462	929	1,9	1,0	40,33	VH020/062	TP90LA4	12000
24,0	4,8	473	890	3,5	2,2	78,87	VH010/083	TP80C2/90S2	18000
24,0	4,6	463	613	3,7	2,9	26,60	VH020/082	TP100LA6	18000
24,0	4,6	463	1226	3,7	1,4	26,60	VH030/082	TP100LA6	18000
23,0	4,4	485	642	3,5	2,7	27,88	VH020/082	TP100LA6	18000
23,0	4,4	490	985	3,4	1,8	42,75	VH020/082	TP90LA4	18000
23,0	4,4	488	1930	3,3	1,0	85,56	VH020/083	TP90S2	18000
23,0	4,4	485	1285	3,5	1,4	27,88	VH030/082	TP100LA6	18000
22,0	4,4	514	968	1,5	1,0	85,82	VH010/063	TP80C2/90S2	12000
22,0	4,4	513	965	3,2	2,0	85,56	VH010/083	TP80C2/90S2	18000
22,0	4,2	510	676	1,7	1,3	29,33	VH020/062	TP100LA6	12000
21,0	3,9	542	718	3,2	2,4	31,15	VH020/082	TP100LA6	18000
21,0	3,9	551	1109	3,0	1,6	48,13	VH020/082	TP90LA4	18000
21,0	3,9	542	1436	3,2	1,2	31,15	VH030/082	TP100LA6	18000
20,0	3,8	557	737	1,6	1,3	32,00	VH020/062	TP100LA6	12000
19,0	3,9	588	1106	2,8	1,8	98,09	VH010/083	TP80C2/90S2	18000
19,0	3,6	598	792	2,9	2,2	34,38	VH020/082	TP100LA6	18000
19,0	3,6	598	1584	2,9	1,1	34,38	VH030/082	TP100LA6	18000
19,0	3,6	595	1576	5,8	2,2	34,20	VH030/102	TP100LA6	22000
18,0	3,4	634	1275	2,6	1,4	56,53	VH020/083	TP90LA4	18000
17,0	3,4	676	1272	2,5	1,5	112,78	VH010/083	TP80C2/90S2	18000
17,0	3,3	644	852	1,3	1,0	36,99	VH020/062	TP100LA6	12000
17,0	3,2	673	892	2,5	2,0	38,70	VH020/082	TP100LA6	18000
17,0	3,2	673	1783	2,5	1,0	38,70	VH030/082	TP100LA6	18000
17,0	3,2	669	1772	4,5	1,7	38,45	VH030/102	TP100LA6	22000
16,0	3,0	702	929	1,3	1,0	40,33	VH020/062	TP100LA6	12000
16,0	3,0	719	1903	4,9	1,9	41,30	VH030/102	TP100LA6	22000
15,0	3,1	746	1404	2,2	1,4	124,44	VH010/083	TP80C2/90S2	18000
15,0	2,9	744	985	2,3	1,8	42,75	VH020/082	TP100LA6	18000
14,0	2,7	802	1613	2,3	1,2	71,48	VH020/083	TP90LA4	18000
14,0	2,7	797	2111	4,4	1,7	45,82	VH030/102	TP100LA6	22000
13,0	2,7	852	1603	1,9	1,2	142,15	VH010/083	TP80C2/90S2	18000
13,0	2,5	837	1109	2,0	1,6	48,13	VH020/082	TP100LA6	18000
13,0	2,4	885	1779	2,1	1,1	78,87	VH020/083	TP90LA4	18000
12,0	2,5	928	1746	1,8	1,1	154,76	VH010/083	TP80C2/90S2	18000
12,0	2,4	896	2374	3,9	1,5	51,52	VH030/102	TP100LA6	22000
12,0	2,3	973	1831	1,7	1,1	162,35	VH010/083	TP80C2/90S2	18000
12,0	2,2	960	1930	2,0	1,0	85,56	VH020/083	TP90LA4	18000
12,0	2,2	945	2503	4,0	1,5	55,47	VH030/103	TP100LA6	22000
12,0	2,2	952	2521	5,6	2,2	55,87	VH030/123	TP100LA6	30000
11,0	2,2	963	1275	1,8	1,4	56,53	VH020/083	TP100LA6	18000
11,0	2,1	1074	2021	1,5	1,0	179,13	VH010/083	TP80C2/90S2	18000
9,5	1,8	1147	3038	4,7	1,8	67,32	VH030/123	TP100LA6	30000
9,2	1,8	1187	3144	3,2	1,2	69,69	VH030/103	TP100LA6	22000
9,0	1,7	1218	1613	1,6	1,2	71,48	VH020/083	TP100LA6	18000
8,7	1,7	1256	3326	4,3	1,6	73,71	VH030/123	TP100LA6	30000
8,2	1,5	1344	1779	1,4	1,1	78,87	VH020/083	TP100LA6	18000
8,1	1,5	1360	3601	2,8	1,1	79,82	VH030/103	TP100LA6	22000
7,7	1,5	1420	3760	3,8	1,5	83,34	VH030/123	TP100LA6	30000
7,6	1,5	1434	3797	2,6	1,0	84,16	VH030/103	TP100LA6	22000
7,5	1,4	1457	1930	1,3	1,0	85,56	VH020/083	TP100LA6	18000
7,1	1,4	1533	4059	3,5	1,4	89,97	VH030/123	TP100LA6	30000
6,9	1,3	1590	4213	2,4	0,9	93,36	VH030/103	TP100LA6	22000
6,4	1,2	1708	4525	3,1	1,2	100,29	VH030/123	TP100LA6	30000
5,9	1,1	1846	4888	2,9	1,1	108,34	VH030/123	TP100LA6	30000
5,4	1,0	2021	5352	2,7	1,0	118,62	VH030/123	TP100LA6	30000

(a) Values relating to maximum speed

(b) Values relating to minimum speed

12.2 VH - PERFORMANCE

1,50 kW

n2 (a) [rpm]	n2 (b) [rpm]	M2 (a) [Nm]	M2 (b) [Nm]	fs (a)	fs (b)	i	Gear reducer	Motor	Fr2 [N]
5,0	1,0	2184	5783	2,5	0,9	128,18	VH030/123	TP100LA6	30000

1,85 kW

n2 (a) [rpm]	n2 (b) [rpm]	M2 (a) [Nm]	M2 (b) [Nm]	fs (a)	fs (b)	i	Gear reducer	Motor	Fr2 [N]
333,0	63,0	42	45	5,9	5,6	1,93	VH020/081	TP100LB6	4000
333,0	63,0	42	90	5,9	2,8	1,93	VH030/081	TP100LB6	4000
253,0	48,0	55	59	5,4	5,2	2,54	VH020/081	TP100LB6	4000
253,0	48,0	55	118	5,4	2,6	2,54	VH030/081	TP100LB6	4000
250,0	48,0	57	93	5,8	3,8	4,00	VH020/081	TP90LB4	4000
214,0	41,0	67	109	5,0	3,2	4,67	VH020/081	TP90LB4	4000
198,0	38,0	70	76	4,7	4,5	3,25	VH020/081	TP100LB6	4000
198,0	38,0	70	151	4,7	2,2	3,25	VH030/081	TP100LB6	4000
181,0	34,0	79	129	4,3	2,8	5,54	VH020/081	TP90LB4	4000
173,0	33,0	81	87	4,1	3,9	3,72	VH020/081	TP100LB6	4000
173,0	33,0	81	173	4,1	2,0	3,72	VH030/081	TP100LB6	4000
164,0	31,0	87	142	4,1	2,6	6,08	VH020/081	TP90LB4	4000
161,0	31,0	87	93	4,0	3,8	4,00	VH020/081	TP100LB6	4000
161,0	31,0	87	186	4,0	1,9	4,00	VH030/081	TP100LB6	4000
138,0	26,0	101	109	3,4	3,2	4,67	VH020/081	TP100LB6	4000
138,0	26,0	101	217	3,4	1,6	4,67	VH030/081	TP100LB6	4000
135,0	26,0	104	170	5,5	3,5	7,39	VH020/062	TP90LB4	12000
133,0	25,0	107	175	3,4	2,2	7,50	VH020/081	TP90LB4	4000
122,0	23,0	114	245	5,8	2,8	5,27	VH030/101	TP100LB6	5000
120,0	23,0	115	124	4,6	4,4	5,38	VH020/062	TP100LB6	12000
120,0	23,0	115	248	4,6	2,2	5,38	VH030/062	TP100LB6	12000
118,0	23,0	121	197	3,0	2,0	8,44	VH020/081	TP90LB4	4000
118,0	22,0	120	196	5,2	3,4	8,50	VH020/062	TP90LB4	12000
116,0	22,0	120	129	2,9	2,8	5,54	VH020/081	TP100LB6	4000
116,0	22,0	120	258	2,9	1,4	5,54	VH030/081	TP100LB6	4000
108,0	21,0	127	137	4,6	4,4	5,93	VH020/062	TP100LB6	12000
108,0	21,0	128	137	5,9	5,6	5,95	VH020/082	TP100LB6	18000
108,0	21,0	127	273	4,6	2,2	5,93	VH030/062	TP100LB6	12000
108,0	21,0	128	274	5,9	2,8	5,95	VH030/082	TP100LB6	18000
107,0	20,0	133	216	4,7	3,0	9,39	VH020/062	TP90LB4	12000
106,0	20,0	132	142	2,8	2,6	6,08	VH020/081	TP100LB6	4000
106,0	20,0	132	283	2,8	1,3	6,08	VH030/081	TP100LB6	4000
103,0	20,0	135	290	5,1	2,4	6,23	VH030/101	TP100LB6	5000
87,0	17,0	159	170	3,7	3,5	7,39	VH020/062	TP100LB6	12000
87,0	17,0	159	170	5,4	5,2	7,39	VH020/082	TP100LB6	18000
87,0	17,0	159	341	3,7	1,8	7,39	VH030/062	TP100LB6	12000
87,0	17,0	159	341	5,4	2,6	7,39	VH030/082	TP100LB6	18000
86,0	16,0	165	269	4,1	2,6	11,69	VH020/062	TP90LB4	12000
86,0	16,0	163	175	2,3	2,2	7,50	VH020/081	TP100LB6	4000
86,0	16,0	163	349	2,3	1,1	7,50	VH030/081	TP100LB6	4000
85,0	16,0	164	351	4,3	2,0	7,55	VH030/101	TP100LB6	5000
80,0	15,0	172	185	5,0	4,8	8,02	VH020/082	TP100LB6	18000
80,0	15,0	172	370	5,0	2,4	8,02	VH030/082	TP100LB6	18000
79,0	15,0	179	292	4,1	2,6	12,67	VH020/062	TP90LB4	12000
77,0	15,0	182	391	3,8	1,8	8,40	VH030/101	TP100LB6	5000
76,0	14,0	182	196	3,5	3,4	8,50	VH020/062	TP100LB6	12000
76,0	14,0	183	197	2,0	2,0	8,44	VH020/081	TP100LB6	4000
76,0	14,0	182	392	3,5	1,7	8,50	VH030/062	TP100LB6	12000
76,0	14,0	183	393	2,0	1,0	8,44	VH030/081	TP100LB6	4000
73,0	14,0	190	204	5,1	4,8	8,85	VH020/082	TP100LB6	18000

(a) Values relating to maximum speed

(b) Values relating to minium speed

12.2 VH - PERFORMANCE

1,85 kW

n2 (a) [rpm]	n2 (b) [rpm]	M2 (a) [Nm]	M2 (b) [Nm]	fs (a)	fs (b)	i	Gear reducer	Motor	Fr2 [N]
73,0	14,0	190	408	5,1	2,4	8,85	VH030/082	TP100LB6	18000
68,0	13,0	201	216	3,2	3,0	9,39	VH020/062	TP100LB6	12000
68,0	13,0	208	340	3,5	2,3	14,75	VH020/062	TP90LB4	12000
68,0	13,0	201	432	3,2	1,5	9,39	VH030/062	TP100LB6	12000
61,0	12,0	230	375	3,6	2,3	16,29	VH020/062	TP90LB4	12000
58,0	11,0	236	254	5,0	4,8	11,01	VH020/082	TP100LB6	18000
58,0	11,0	236	507	5,0	2,4	11,01	VH030/082	TP100LB6	18000
57,0	11,0	250	407	3,5	2,2	17,67	VH020/062	TP90LB4	12000
55,0	10,0	251	269	2,8	2,6	11,69	VH020/062	TP100LB6	12000
55,0	10,0	251	539	2,8	1,3	11,69	VH030/062	TP100LB6	12000
54,0	10,0	262	427	6,0	3,9	18,53	VH020/082	TP90LB4	18000
51,0	9,6	272	292	2,8	2,6	12,67	VH020/062	TP100LB6	12000
51,0	9,6	272	584	2,8	1,3	12,67	VH030/062	TP100LB6	12000
49,0	9,4	287	467	3,1	2,0	20,28	VH020/062	TP90LB4	12000
48,0	9,0	290	311	5,2	4,9	13,50	VH020/082	TP100LB6	18000
48,0	9,0	290	622	5,2	2,5	13,50	VH030/082	TP100LB6	18000
47,0	8,9	302	493	5,5	3,6	21,39	VH020/082	TP90LB4	18000
44,0	8,3	316	340	2,4	2,3	14,75	VH020/062	TP100LB6	12000
44,0	8,3	322	525	5,2	3,3	22,80	VH020/082	TP90LB4	18000
44,0	8,3	316	680	2,4	1,1	14,75	VH030/062	TP100LB6	12000
43,0	8,2	329	536	2,7	1,7	23,27	VH020/062	TP90LB4	12000
43,0	8,2	320	343	5,0	4,8	14,90	VH020/082	TP100LB6	18000
43,0	8,2	320	686	5,0	2,4	14,90	VH030/082	TP100LB6	18000
39,0	7,5	349	375	2,5	2,3	16,29	VH020/062	TP100LB6	12000
39,0	7,5	349	750	2,5	1,2	16,29	VH030/062	TP100LB6	12000
39,0	7,4	363	592	2,4	1,6	25,70	VH020/062	TP90LB4	12000
39,0	7,4	357	383	4,5	4,3	16,62	VH020/082	TP100LB6	18000
39,0	7,4	357	766	4,5	2,2	16,62	VH030/082	TP100LB6	18000
38,0	7,1	376	613	4,4	2,9	26,60	VH020/082	TP90LB4	18000
36,0	6,9	379	407	2,3	2,2	17,67	VH020/062	TP100LB6	12000
36,0	6,9	379	814	2,3	1,1	17,67	VH030/062	TP100LB6	12000
36,0	6,8	394	642	4,2	2,7	27,88	VH020/082	TP90LB4	18000
35,0	6,6	397	427	4,0	3,9	18,53	VH020/082	TP100LB6	18000
35,0	6,6	397	854	4,0	1,9	18,53	VH030/082	TP100LB6	18000
34,0	6,5	414	676	2,0	1,3	29,33	VH020/062	TP90LB4	12000
33,0	6,3	416	447	4,1	3,9	19,38	VH020/082	TP100LB6	18000
33,0	6,3	416	893	4,1	2,0	19,38	VH030/082	TP100LB6	18000
32,0	6,1	440	718	3,8	2,4	31,15	VH020/082	TP90LB4	18000
32,0	6,0	435	467	2,1	2,0	20,28	VH020/062	TP100LB6	12000
32,0	6,0	435	935	2,1	1,0	20,28	VH030/062	TP100LB6	12000
31,0	5,9	452	737	2,0	1,3	32,00	VH020/062	TP90LB4	12000
30,0	5,7	459	493	3,7	3,6	21,39	VH020/082	TP100LB6	18000
30,0	5,7	459	986	3,7	1,8	21,39	VH030/082	TP100LB6	18000
29,0	5,5	486	792	3,4	2,2	34,38	VH020/082	TP90LB4	18000
28,0	5,4	489	525	3,5	3,3	22,80	VH020/082	TP100LB6	18000
28,0	5,4	489	1051	3,5	1,7	22,80	VH030/082	TP100LB6	18000
28,0	5,2	499	536	1,8	1,7	23,27	VH020/062	TP100LB6	12000
27,0	5,1	523	852	1,6	1,0	36,99	VH020/062	TP90LB4	12000
26,0	4,9	547	892	3,0	2,0	38,70	VH020/082	TP90LB4	18000
25,0	4,8	551	592	1,7	1,6	25,70	VH020/062	TP100LB6	12000
25,0	4,7	570	929	1,6	1,0	40,33	VH020/062	TP90LB4	12000
24,0	4,6	571	613	3,0	2,9	26,60	VH020/082	TP100LB6	18000
24,0	4,6	571	1226	3,0	1,4	26,60	VH030/082	TP100LB6	18000
23,0	4,4	598	642	2,9	2,7	27,88	VH020/082	TP100LB6	18000
23,0	4,4	604	985	2,8	1,8	42,75	VH020/082	TP90LB4	18000
23,0	4,4	598	1285	2,9	1,4	27,88	VH030/082	TP100LB6	18000
22,0	4,3	616	1324	5,7	2,7	28,73	VH030/102	TP100LB6	22000
22,0	4,2	629	676	1,4	1,3	29,33	VH020/062	TP100LB6	12000

(a) Values relating to maximum speed

(b) Values relating to minimum speed

12.2 VH - PERFORMANCE

1,85 kW

n2 (a) [rpm]	n2 (b) [rpm]	M2 (a) [Nm]	M2 (b) [Nm]	fs (a)	fs (b)	i	Gear reducer	Motor	Fr2 [N]
21,0	4,0	659	1416	5,2	2,5	30,72	VH030/102	TP100LB6	22000
21,0	3,9	668	718	2,6	2,4	31,15	VH020/082	TP100LB6	18000
21,0	3,9	680	1109	2,4	1,6	48,13	VH020/082	TP90LB4	18000
21,0	3,9	668	1436	2,6	1,2	31,15	VH030/082	TP100LB6	18000
20,0	3,8	687	737	1,3	1,3	32,00	VH020/062	TP100LB6	12000
19,0	3,6	738	792	2,3	2,2	34,38	VH020/082	TP100LB6	18000
19,0	3,6	738	1584	2,3	1,1	34,38	VH030/082	TP100LB6	18000
19,0	3,6	734	1576	4,7	2,2	34,20	VH030/102	TP100LB6	22000
18,0	3,4	782	1275	2,1	1,4	56,53	VH020/083	TP90LB4	18000
17,0	3,3	794	852	1,1	1,0	36,99	VH020/062	TP100LB6	12000
17,0	3,2	830	892	2,1	2,0	38,70	VH020/082	TP100LB6	18000
17,0	3,2	830	1783	2,1	1,0	38,70	VH030/082	TP100LB6	18000
17,0	3,2	825	1772	3,6	1,7	38,45	VH030/102	TP100LB6	22000
16,0	3,0	865	929	1,1	1,0	40,33	VH020/062	TP100LB6	12000
16,0	3,0	886	1903	4,0	1,9	41,30	VH030/102	TP100LB6	22000
15,0	2,9	917	985	1,9	1,8	42,75	VH020/082	TP100LB6	18000
15,0	2,8	946	2032	5,7	2,7	44,10	VH030/122	TP100LB6	30000
14,0	2,7	989	1613	1,9	1,2	71,48	VH020/083	TP90LB4	18000
14,0	2,7	983	2111	3,6	1,7	45,82	VH030/102	TP100LB6	22000
14,0	2,7	962	2065	5,6	2,7	45,77	VH030/123	TP100LB6	30000
13,0	2,5	1033	1109	1,7	1,6	48,13	VH020/082	TP100LB6	18000
13,0	2,4	1091	1779	1,7	1,1	78,87	VH020/083	TP90LB4	18000
12,0	2,4	1105	2374	3,2	1,5	51,52	VH030/102	TP100LB6	22000
12,0	2,2	1184	1930	1,6	1,0	85,56	VH020/083	TP90LB4	18000
12,0	2,2	1166	2503	3,2	1,5	55,47	VH030/103	TP100LB6	22000
12,0	2,2	1174	2521	4,6	2,2	55,87	VH030/123	TP100LB6	30000
11,0	2,2	1188	1275	1,4	1,4	56,53	VH020/083	TP100LB6	18000
9,5	1,8	1415	3038	3,8	1,8	67,32	VH030/123	TP100LB6	30000
9,2	1,8	1464	3144	2,6	1,2	69,69	VH030/103	TP100LB6	22000
9,0	1,7	1502	1613	1,3	1,2	71,48	VH020/083	TP100LB6	18000
8,7	1,7	1549	3326	3,5	1,6	73,71	VH030/123	TP100LB6	30000
8,2	1,5	1657	1779	1,2	1,1	78,87	VH020/083	TP100LB6	18000
8,1	1,5	1677	3601	2,2	1,1	79,82	VH030/103	TP100LB6	22000
7,7	1,5	1751	3760	3,1	1,5	83,34	VH030/123	TP100LB6	30000
7,6	1,5	1768	3797	2,1	1,0	84,16	VH030/103	TP100LB6	22000
7,5	1,4	1798	1930	1,1	1,0	85,56	VH020/083	TP100LB6	18000
7,1	1,4	1890	4059	2,8	1,4	89,97	VH030/123	TP100LB6	30000
6,9	1,3	1962	4213	1,9	0,9	93,36	VH030/103	TP100LB6	22000
6,4	1,2	2107	4525	2,5	1,2	100,29	VH030/123	TP100LB6	30000
5,9	1,1	2276	4888	2,4	1,1	108,34	VH030/123	TP100LB6	30000
5,4	1,0	2492	5352	2,2	1,0	118,62	VH030/123	TP100LB6	30000
5,0	1,0	2693	5783	2,0	0,9	128,18	VH030/123	TP100LB6	30000

2,20 kW

n2 (a) [rpm]	n2 (b) [rpm]	M2 (a) [Nm]	M2 (b) [Nm]	fs (a)	fs (b)	i	Gear reducer	Motor	Fr2 [N]
1493,0	299,0	12	15	3,2	2,9	1,27	VH010/051	TP90L2	1609
1339,0	268,0	13	17	4,3	4,0	1,42	VH010/051	TP90L2	1664
894,0	179,0	19	25	2,9	2,6	2,13	VH010/051	TP90L2	1878
894,0	179,0	19	25	5,7	5,3	2,13	VH010/061	TP90L2	2988
739,0	148,0	23	30	2,8	2,5	2,57	VH010/051	TP90L2	1986
739,0	148,0	23	30	4,7	4,4	2,57	VH010/061	TP90L2	3164
600,0	120,0	29	37	2,6	2,4	3,17	VH010/051	TP90L2	2108
600,0	120,0	29	37	4,2	3,8	3,17	VH010/061	TP90L2	3364
515,0	103,0	33	43	2,5	2,3	3,69	VH010/051	TP90L2	2200

(a) Values relating to maximum speed

(b) Values relating to minimum speed

12.2 VH - PERFORMANCE

2,20 kW

n2 (a) [rpm]	n2 (b) [rpm]	M2 (a) [Nm]	M2 (b) [Nm]	fs (a)	fs (b)	i	Gear reducer	Motor	Fr2 [N]
515,0	103,0	33	43	4,1	3,8	3,69	VH010/061	TP90L2	3516
475,0	95,0	36	47	2,3	2,1	4,00	VH010/051	TP90L2	2249
475,0	95,0	36	47	3,8	3,5	4,00	VH010/061	TP90L2	3599
398,0	80,0	43	56	2,0	1,9	4,77	VH010/051	TP90L2	2358
398,0	80,0	43	56	3,4	3,1	4,77	VH010/061	TP90L2	3700
362,0	72,0	48	61	1,9	1,8	5,25	VH010/051	TP90L2	2419
362,0	72,0	48	61	3,3	3,0	5,25	VH010/061	TP90L2	3700
348,0	70,0	49	63	3,0	2,8	5,46	VH010/042	TP90L2	4742
333,0	63,0	50	90	5,0	2,8	1,93	VH030/081	TP112MA6	4000
332,0	66,0	51	66	4,7	4,3	5,73	VH010/052	TP90L2	6171
329,0	62,0	52	142	5,9	2,6	6,08	VH020/081	TP90L2	4000
327,0	65,0	53	68	1,7	1,6	5,82	VH010/051	TP90L2	2484
327,0	65,0	53	68	3,0	2,7	5,82	VH010/061	TP90L2	3700
308,0	58,0	55	76	5,8	4,5	3,25	VH020/081	TP100LA4	4000
308,0	58,0	55	151	5,8	2,2	3,25	VH030/081	TP100LA4	4000
276,0	55,0	62	79	4,3	4,0	6,89	VH010/052	TP90L2	6503
269,0	51,0	63	87	5,1	3,9	3,72	VH020/081	TP100LA4	4000
269,0	51,0	63	173	5,1	2,0	3,72	VH030/081	TP100LA4	4000
267,0	51,0	65	175	4,9	2,2	7,50	VH020/081	TP90L2	4000
264,0	53,0	65	83	2,3	2,1	7,19	VH010/042	TP90L2	5081
259,0	52,0	67	85	1,4	1,3	7,33	VH010/051	TP90L2	2500
259,0	52,0	67	85	2,4	2,2	7,33	VH010/061	TP90L2	3700
253,0	48,0	66	118	4,6	2,6	2,54	VH030/081	TP112MA6	4000
250,0	48,0	68	93	4,9	3,8	4,00	VH020/081	TP100LA4	4000
250,0	48,0	68	186	4,9	1,9	4,00	VH030/081	TP100LA4	4000
237,0	45,0	73	197	4,3	1,9	8,44	VH020/081	TP90L2	4000
227,0	45,0	76	97	1,2	1,1	8,38	VH010/051	TP90L2	2500
227,0	45,0	76	97	2,1	1,9	8,38	VH010/061	TP90L2	3700
223,0	45,0	77	98	4,1	3,8	8,53	VH010/052	TP90L2	6894
214,0	41,0	79	109	4,2	3,2	4,67	VH020/081	TP100LA4	4000
214,0	41,0	79	217	4,2	1,6	4,67	VH030/081	TP100LA4	4000
213,0	43,0	80	103	2,4	2,2	8,91	VH010/042	TP90L2	5345
199,0	40,0	86	110	4,0	3,7	9,56	VH010/052	TP90L2	7108
198,0	38,0	84	151	4,0	2,2	3,25	VH030/081	TP112MA6	4000
186,0	35,0	90	124	5,8	4,4	5,38	VH020/062	TP100LA4	12000
186,0	35,0	90	248	5,8	2,2	5,38	VH030/062	TP100LA4	12000
184,0	37,0	93	119	2,4	2,2	10,31	VH010/042	TP90L2	5521
181,0	34,0	94	129	3,7	2,8	5,54	VH020/081	TP100LA4	4000
181,0	34,0	94	258	3,7	1,4	5,54	VH030/081	TP100LA4	4000
173,0	33,0	96	173	3,5	2,0	3,72	VH030/081	TP112MA6	4000
171,0	33,0	100	269	5,9	2,6	11,69	VH020/062	TP90L2	12000
168,0	32,0	100	137	5,7	4,4	5,93	VH020/062	TP100LA4	12000
168,0	32,0	100	273	5,7	2,2	5,93	VH030/062	TP100LA4	12000
165,0	33,0	103	133	3,5	3,2	11,51	VH010/052	TP90L2	7459
164,0	31,0	103	142	3,4	2,6	6,08	VH020/081	TP100LA4	4000
164,0	31,0	103	283	3,4	1,3	6,08	VH030/081	TP100LA4	4000
163,0	33,0	105	135	5,7	5,3	11,69	VH010/062	TP90L2	12000
161,0	32,0	106	136	2,2	2,0	11,80	VH010/042	TP90L2	5677
161,0	31,0	103	186	3,3	1,9	4,00	VH030/081	TP112MA6	4000
158,0	30,0	108	292	5,9	2,6	12,67	VH020/062	TP90L2	12000
150,0	30,0	114	146	5,7	5,2	12,67	VH010/062	TP90L2	12000
140,0	28,0	122	156	1,9	1,7	13,57	VH010/042	TP90L2	5833
138,0	26,0	120	217	2,9	1,6	4,67	VH030/081	TP112MA6	4000
136,0	26,0	126	340	5,0	2,2	14,75	VH020/062	TP90L2	12000
135,0	26,0	124	170	4,6	3,5	7,39	VH020/062	TP100LA4	12000
135,0	26,0	124	341	4,6	1,8	7,39	VH030/062	TP100LA4	12000
133,0	27,0	128	164	3,1	2,9	14,24	VH010/052	TP90L2	7862
133,0	25,0	127	175	2,9	2,2	7,50	VH020/081	TP100LA4	4000

(a) Values relating to maximum speed

(b) Values relating to minimum speed

12.2 VH - PERFORMANCE

2,20 kW

n2 (a) [rpm]	n2 (b) [rpm]	M2 (a) [Nm]	M2 (b) [Nm]	fs (a)	fs (b)	i	Gear reducer	Motor	Fr2 [N]
133,0	25,0	127	349	2,9	1,1	7,50	VH030/081	TP100LA4	4000
133,0	25,0	128	351	5,3	2,0	7,55	VH030/101	TP100LA4	5000
132,0	25,0	126	227	5,3	3,0	4,88	VH030/101	TP112MA6	5000
132,0	25,0	126	303	5,3	2,2	4,88	VH050/101	TP112MA6	5000
129,0	26,0	132	170	4,9	4,5	14,75	VH010/062	TP90L2	12000
123,0	23,0	139	375	5,2	2,3	16,29	VH020/062	TP90L2	12000
122,0	23,0	136	245	4,9	2,8	5,27	VH030/101	TP112MA6	5000
122,0	23,0	136	327	4,9	2,1	5,27	VH050/101	TP112MA6	5000
120,0	23,0	137	248	3,9	2,2	5,38	VH030/062	TP112MA6	12000
119,0	24,0	143	184	1,6	1,5	15,96	VH010/042	TP90L2	6000
119,0	23,0	138	248	5,5	3,1	5,39	VH030/082	TP112MA6	18000
119,0	23,0	143	391	4,7	1,8	8,40	VH030/101	TP100LA4	5000
118,0	23,0	143	197	2,5	2,0	8,44	VH020/081	TP100LA4	4000
118,0	23,0	143	393	2,5	1,0	8,44	VH030/081	TP100LA4	4000
118,0	22,0	143	196	4,4	3,4	8,50	VH020/062	TP100LA4	12000
118,0	22,0	143	392	4,4	1,7	8,50	VH030/062	TP100LA4	12000
117,0	23,0	146	188	5,0	4,6	16,29	VH010/062	TP90L2	12000
116,0	22,0	143	258	2,5	1,4	5,54	VH030/081	TP112MA6	4000
115,0	23,0	149	191	2,8	2,6	16,59	VH010/052	TP90L2	8000
113,0	22,0	151	407	5,0	2,2	17,67	VH020/062	TP90L2	12000
108,0	22,0	159	204	4,8	4,4	17,67	VH010/062	TP90L2	12000
108,0	21,0	151	273	3,9	2,2	5,93	VH030/062	TP112MA6	12000
108,0	21,0	152	274	4,9	2,8	5,95	VH030/082	TP112MA6	18000
107,0	20,0	158	216	4,0	3,0	9,39	VH020/062	TP100LA4	12000
107,0	20,0	158	432	4,0	1,5	9,39	VH030/062	TP100LA4	12000
106,0	21,0	162	207	2,6	2,4	18,00	VH010/052	TP90L2	8000
106,0	20,0	157	283	2,3	1,3	6,08	VH030/081	TP112MA6	4000
103,0	20,0	161	290	4,3	2,4	6,23	VH030/101	TP112MA6	5000
103,0	20,0	161	291	6,0	3,4	6,25	VH030/121	TP112MA6	6000
103,0	20,0	161	387	4,3	1,8	6,23	VH050/101	TP112MA6	5000
103,0	20,0	161	388	6,0	2,5	6,25	VH050/121	TP112MA6	6000
100,0	20,0	171	219	1,3	1,2	19,00	VH010/042	TP90L2	6160
99,0	19,0	173	467	4,4	2,0	20,28	VH020/062	TP90L2	12000
95,0	19,0	179	230	2,4	2,2	19,97	VH010/052	TP90L2	8000
94,0	19,0	182	234	4,3	4,0	20,28	VH010/062	TP90L2	12000
90,0	18,0	189	242	1,2	1,1	21,00	VH010/042	TP90L2	6239
88,0	18,0	195	250	2,2	2,0	21,67	VH010/052	TP90L2	8000
87,0	17,0	189	341	3,1	1,8	7,39	VH030/062	TP112MA6	12000
87,0	17,0	189	341	4,5	2,6	7,39	VH030/082	TP112MA6	18000
86,0	16,0	196	269	3,4	2,6	11,69	VH020/062	TP100LA4	12000
86,0	16,0	199	536	3,9	1,7	23,27	VH020/062	TP90L2	12000
86,0	16,0	196	539	3,4	1,3	11,69	VH030/062	TP100LA4	12000
86,0	16,0	193	349	1,9	1,1	7,50	VH030/081	TP112MA6	4000
85,0	16,0	195	351	3,6	2,0	7,55	VH030/101	TP112MA6	5000
85,0	16,0	195	468	3,6	1,5	7,55	VH050/101	TP112MA6	5000
83,0	16,0	199	359	5,4	3,1	7,70	VH030/121	TP112MA6	6000
83,0	16,0	199	478	5,4	2,3	7,70	VH050/121	TP112MA6	6000
82,0	16,0	208	267	1,2	1,1	23,15	VH010/042	TP90L2	6306
82,0	16,0	209	268	3,7	3,4	23,27	VH010/062	TP90L2	12000
80,0	15,0	205	370	4,2	2,4	8,02	VH030/082	TP112MA6	18000
79,0	15,0	213	292	3,4	2,6	12,67	VH020/062	TP100LA4	12000
79,0	15,0	213	584	3,4	1,3	12,67	VH030/062	TP100LA4	12000
78,0	15,0	219	592	3,5	1,6	25,70	VH020/062	TP90L2	12000
77,0	15,0	222	285	2,0	1,8	24,71	VH010/052	TP90L2	8000
77,0	15,0	217	391	3,2	1,8	8,40	VH030/101	TP112MA6	5000
77,0	15,0	217	521	3,2	1,4	8,40	VH050/101	TP112MA6	5000
76,0	14,0	217	392	3,0	1,7	8,50	VH030/062	TP112MA6	12000
76,0	14,0	218	393	1,7	1,0	8,44	VH030/081	TP112MA6	4000

(a) Values relating to maximum speed

(b) Values relating to minimum speed

2,20 kW

n2 (a) [rpm]	n2 (b) [rpm]	M2 (a) [Nm]	M2 (b) [Nm]	fs (a)	fs (b)	i	Gear reducer	Motor	Fr2 [N]
74,0	15,0	231	296	3,4	3,1	25,70	VH010/062	TP90L2	12000
73,0	15,0	234	300	1,0	0,9	26,04	VH010/042	TP90L2	6371
73,0	15,0	235	302	1,9	1,8	26,18	VH010/052	TP90L2	8000
73,0	14,0	226	408	4,3	2,4	8,85	VH030/082	TP112MA6	18000
69,0	14,0	247	317	1,0	1,0	27,50	VH010/042	TP90L2	6394
68,0	13,0	248	340	2,9	2,3	14,75	VH020/062	TP100LA4	12000
68,0	13,0	251	676	2,9	1,3	29,33	VH020/062	TP90L2	12000
68,0	13,0	239	432	2,7	1,5	9,39	VH030/062	TP112MA6	12000
68,0	13,0	248	680	2,9	1,1	14,75	VH030/062	TP100LA4	12000
67,0	13,0	255	328	1,8	1,6	28,44	VH010/052	TP90L2	8000
65,0	13,0	263	338	2,8	2,6	29,33	VH010/062	TP90L2	12000
64,0	12,0	266	718	5,4	2,4	31,15	VH020/082	TP90L2	18000
63,0	12,0	273	737	2,8	1,3	32,00	VH020/062	TP90L2	12000
61,0	12,0	274	375	3,0	2,3	16,29	VH020/062	TP100LA4	12000
61,0	12,0	274	750	3,0	1,2	16,29	VH030/062	TP100LA4	12000
60,0	12,0	283	363	1,6	1,5	31,52	VH010/052	TP90L2	8000
60,0	11,0	279	383	5,6	4,3	16,62	VH020/082	TP100LA4	18000
60,0	11,0	279	766	5,6	2,1	16,62	VH030/082	TP100LA4	18000
59,0	12,0	287	369	2,7	2,5	32,00	VH010/062	TP90L2	12000
58,0	12,0	296	380	1,5	1,4	33,00	VH010/052	TP90L2	8000
58,0	11,0	294	792	4,9	2,2	34,38	VH020/082	TP90L2	18000
58,0	11,0	281	507	4,2	2,4	11,01	VH030/082	TP112MA6	18000
57,0	11,0	297	407	2,9	2,2	17,67	VH020/062	TP100LA4	12000
57,0	11,0	297	814	2,9	1,1	17,67	VH030/062	TP100LA4	12000
55,0	10,0	298	539	2,3	1,3	11,69	VH030/062	TP112MA6	12000
54,0	10,0	316	852	2,3	1,0	36,99	VH020/062	TP90L2	12000
54,0	10,0	311	427	5,0	3,9	18,53	VH020/082	TP100LA4	18000
54,0	10,0	311	854	5,0	1,9	18,53	VH030/082	TP100LA4	18000
52,0	9,8	326	447	5,1	3,9	19,38	VH020/082	TP100LA4	18000
52,0	9,8	331	892	4,4	2,0	38,70	VH020/082	TP90L2	18000
52,0	9,8	326	893	5,1	2,0	19,38	VH030/082	TP100LA4	18000
51,0	10,0	332	426	2,2	2,0	36,99	VH010/062	TP90L2	12000
51,0	9,6	323	584	2,3	1,3	12,67	VH030/062	TP112MA6	12000
50,0	9,4	344	929	2,2	1,0	40,33	VH020/062	TP90L2	12000
49,0	9,7	350	449	1,3	1,2	38,98	VH010/052	TP90L2	8000
49,0	9,4	341	467	2,6	2,0	20,28	VH020/062	TP100LA4	12000
49,0	9,4	341	935	2,6	1,0	20,28	VH030/062	TP100LA4	12000
48,0	9,0	344	622	4,4	2,5	13,50	VH030/082	TP112MA6	18000
47,0	9,4	362	465	2,2	2,0	40,33	VH010/062	TP90L2	12000
47,0	8,9	359	493	4,6	3,6	21,39	VH020/082	TP100LA4	18000
47,0	8,9	365	985	4,0	1,8	42,75	VH020/082	TP90L2	18000
47,0	8,9	359	986	4,6	1,8	21,39	VH030/082	TP100LA4	18000
44,0	8,3	383	525	4,3	3,3	22,80	VH020/082	TP100LA4	18000
44,0	8,3	376	680	2,0	1,1	14,75	VH030/062	TP112MA6	12000
44,0	8,3	383	1051	4,3	1,7	22,80	VH030/082	TP100LA4	18000
43,0	8,2	391	536	2,3	1,7	23,27	VH020/062	TP100LA4	12000
43,0	8,2	380	686	4,2	2,4	14,90	VH030/082	TP112MA6	18000
42,0	8,4	407	523	1,1	1,0	45,36	VH010/052	TP90L2	8000
42,0	7,9	411	1109	3,5	1,6	48,13	VH020/082	TP90L2	18000
41,0	8,2	414	531	1,9	1,7	46,06	VH010/062	TP90L2	12000
39,0	7,7	441	566	1,0	0,9	49,13	VH010/052	TP90L2	8000
39,0	7,5	416	750	2,1	1,2	16,29	VH030/062	TP112MA6	12000
39,0	7,4	432	592	2,0	1,6	25,70	VH020/062	TP100LA4	12000
39,0	7,4	424	766	3,8	2,2	16,62	VH030/082	TP112MA6	18000
38,0	7,7	435	558	1,8	1,7	49,45	VH010/063	TP90L2	12000
38,0	7,1	447	613	3,7	2,9	26,60	VH020/082	TP100LA4	18000
38,0	7,1	447	1226	3,7	1,4	26,60	VH030/082	TP100LA4	18000
36,0	6,9	451	814	2,0	1,1	17,67	VH030/062	TP112MA6	12000

(a) Values relating to maximum speed

(b) Values relating to minimum speed

2,20 kW

n2 (a) [rpm]	n2 (b) [rpm]	M2 (a) [Nm]	M2 (b) [Nm]	fs (a)	fs (b)	i	Gear reducer	Motor	Fr2 [N]
36,0	6,8	468	642	3,6	2,7	27,88	VH020/082	TP100LA4	18000
36,0	6,8	468	1285	3,6	1,4	27,88	VH030/082	TP100LA4	18000
35,0	7,0	480	616	1,6	1,5	54,61	VH010/063	TP90L2	12000
35,0	6,7	473	1275	3,1	1,4	56,53	VH020/083	TP90L2	18000
35,0	6,6	473	854	3,4	1,9	18,53	VH030/082	TP112MA6	18000
34,0	6,7	497	638	3,0	2,7	56,53	VH010/083	TP90L2	18000
34,0	6,5	493	676	1,7	1,3	29,33	VH020/062	TP100LA4	12000
33,0	6,3	495	893	3,5	2,0	19,38	VH030/082	TP112MA6	18000
32,0	6,1	523	718	3,2	2,4	31,15	VH020/082	TP100LA4	18000
32,0	6,1	523	1436	3,2	1,2	31,15	VH030/082	TP100LA4	18000
32,0	6,0	518	935	1,8	1,0	20,28	VH030/062	TP112MA6	12000
31,0	5,9	538	737	1,6	1,3	32,00	VH020/062	TP100LA4	12000
30,0	5,7	546	986	3,1	1,8	21,39	VH030/082	TP112MA6	18000
29,0	5,6	575	1576	5,8	2,2	34,20	VH030/102	TP100LA4	22000
29,0	5,5	578	792	2,9	2,2	34,38	VH020/082	TP100LA4	18000
29,0	5,5	578	1584	2,9	1,1	34,38	VH030/082	TP100LA4	18000
28,0	5,6	598	767	1,3	1,2	68,00	VH010/063	TP90L2	12000
28,0	5,4	582	1051	2,9	1,7	22,80	VH030/082	TP112MA6	18000
28,0	5,3	598	1613	2,7	1,2	71,48	VH020/083	TP90L2	18000
27,0	5,3	628	806	2,6	2,4	71,48	VH010/083	TP90L2	18000
27,0	5,1	622	852	1,3	1,0	36,99	VH020/062	TP100LA4	12000
27,0	5,1	612	1104	5,8	3,3	23,97	VH030/102	TP112MA6	22000
27,0	5,1	612	1473	5,8	2,5	23,97	VH050/102	TP112MA6	22000
26,0	4,9	650	892	2,6	2,0	38,70	VH020/082	TP100LA4	18000
26,0	4,9	650	1783	2,6	1,0	38,70	VH030/082	TP100LA4	18000
26,0	4,9	646	1772	4,5	1,7	38,45	VH030/102	TP100LA4	22000
25,0	4,8	660	1779	2,5	1,1	78,87	VH020/083	TP90L2	18000
25,0	4,7	678	929	1,3	1,0	40,33	VH020/062	TP100LA4	12000
25,0	4,7	661	1193	5,4	3,0	25,89	VH030/102	TP112MA6	22000
25,0	4,7	661	1591	5,4	2,3	25,89	VH050/102	TP112MA6	22000
24,0	4,8	693	890	2,4	2,2	78,87	VH010/083	TP90L2	18000
24,0	4,6	679	1226	2,5	1,4	26,60	VH030/082	TP112MA6	18000
24,0	4,6	694	1903	5,0	1,9	41,30	VH030/102	TP100LA4	22000
23,0	4,4	718	985	2,3	1,8	42,75	VH020/082	TP100LA4	18000
23,0	4,4	715	1930	2,3	1,0	85,56	VH020/083	TP90L2	18000
23,0	4,4	711	1285	2,4	1,4	27,88	VH030/082	TP112MA6	18000
22,0	4,4	754	968	1,0	1,0	85,82	VH010/063	TP90L2	12000
22,0	4,4	752	965	2,2	2,0	85,56	VH010/083	TP90L2	18000
22,0	4,3	733	1324	4,8	2,7	28,73	VH030/102	TP112MA6	22000
22,0	4,3	733	1765	4,8	2,1	28,73	VH050/102	TP112MA6	22000
22,0	4,1	770	2111	4,5	1,7	45,82	VH030/102	TP100LA4	22000
21,0	4,0	784	1416	4,4	2,5	30,72	VH030/102	TP112MA6	22000
21,0	4,0	784	1887	4,4	1,9	30,72	VH050/102	TP112MA6	22000
21,0	3,9	809	1109	2,1	1,6	48,13	VH020/082	TP100LA4	18000
21,0	3,9	795	1436	2,2	1,2	31,15	VH030/082	TP112MA6	18000
19,0	3,9	862	1106	1,9	1,8	98,09	VH010/083	TP90L2	18000
19,0	3,7	866	2374	4,0	1,5	51,52	VH030/102	TP100LA4	22000
19,0	3,6	877	1584	2,0	1,1	34,38	VH030/082	TP112MA6	18000
19,0	3,6	873	1576	3,9	2,2	34,20	VH030/102	TP112MA6	22000
19,0	3,6	873	2101	3,9	1,7	34,20	VH050/102	TP112MA6	22000
18,0	3,4	930	1275	1,8	1,4	56,53	VH020/083	TP100LA4	18000
18,0	3,4	913	2503	4,0	1,5	55,47	VH030/103	TP100LA4	22000
18,0	3,4	922	1665	5,8	3,3	36,13	VH030/122	TP112MA6	30000
18,0	3,4	919	2521	5,7	2,2	55,87	VH030/123	TP100LA4	30000
18,0	3,4	922	2220	5,8	2,5	36,13	VH050/122	TP112MA6	30000
17,0	3,4	991	1272	1,7	1,5	112,78	VH010/083	TP90L2	18000
17,0	3,2	988	1783	1,7	1,0	38,70	VH030/082	TP112MA6	18000
17,0	3,2	981	1772	3,1	1,7	38,45	VH030/102	TP112MA6	22000

(a) Values relating to maximum speed

(b) Values relating to minimum speed

2,20 kW

n2 (a) [rpm]	n2 (b) [rpm]	M2 (a) [Nm]	M2 (b) [Nm]	fs (a)	fs (b)	i	Gear reducer	Motor	Fr2 [N]
17,0	3,2	981	2363	3,1	1,3	38,45	VH050/102	TP112MA6	22000
16,0	3,0	1054	1903	3,4	1,9	41,30	VH030/102	TP112MA6	22000
16,0	3,0	1054	2537	3,4	1,4	41,30	VH050/102	TP112MA6	22000
15,0	3,1	1094	1404	1,5	1,4	124,44	VH010/083	TP90L2	18000
15,0	2,8	1125	2032	4,8	2,7	44,10	VH030/122	TP112MA6	30000
15,0	2,8	1108	3038	4,7	1,8	67,32	VH030/123	TP100LA4	30000
15,0	2,8	1125	2710	4,8	2,0	44,10	VH050/122	TP112MA6	30000
14,0	2,7	1176	1613	1,6	1,2	71,48	VH020/083	TP100LA4	18000
14,0	2,7	1169	2111	3,0	1,7	45,82	VH030/102	TP112MA6	22000
14,0	2,7	1147	3144	3,2	1,2	69,69	VH030/103	TP100LA4	22000
14,0	2,7	1144	2065	4,7	2,7	45,77	VH030/123	TP112MA6	30000
14,0	2,7	1169	2815	3,0	1,3	45,82	VH050/102	TP112MA6	22000
14,0	2,7	1144	2754	4,7	2,0	45,77	VH050/123	TP112MA6	30000
14,0	2,6	1213	3326	4,3	1,6	73,71	VH030/123	TP100LA4	30000
13,0	2,7	1250	1603	1,3	1,2	142,15	VH010/083	TP90L2	18000
13,0	2,4	1298	1779	1,4	1,1	78,87	VH020/083	TP100LA4	18000
13,0	2,4	1313	3601	2,8	1,1	79,82	VH030/103	TP100LA4	22000
12,0	2,5	1360	1746	1,2	1,1	154,76	VH010/083	TP90L2	18000
12,0	2,4	1315	2374	2,7	1,5	51,52	VH030/102	TP112MA6	22000
12,0	2,4	1315	3165	2,7	1,1	51,52	VH050/102	TP112MA6	22000
12,0	2,3	1427	1831	1,2	1,1	162,35	VH010/083	TP90L2	18000
12,0	2,3	1385	3797	2,6	1,0	84,16	VH030/103	TP100LA4	22000
12,0	2,3	1371	3760	3,8	1,5	83,34	VH030/123	TP100LA4	30000
12,0	2,2	1408	1930	1,3	1,0	85,56	VH020/083	TP100LA4	18000
12,0	2,2	1386	2503	2,7	1,5	55,47	VH030/103	TP112MA6	22000
12,0	2,2	1396	2521	3,8	2,2	55,87	VH030/123	TP112MA6	30000
12,0	2,2	1386	3337	2,7	1,2	55,47	VH050/103	TP112MA6	22000
12,0	2,2	1396	3361	3,8	1,6	55,87	VH050/123	TP112MA6	30000
11,0	2,1	1575	2021	1,1	1,0	179,13	VH010/083	TP90L2	18000
11,0	2,1	1480	4059	3,5	1,3	89,97	VH030/123	TP100LA4	30000
11,0	2,0	1536	4213	2,4	0,9	93,36	VH030/103	TP100LA4	22000
10,0	1,9	1650	4525	3,2	1,2	100,29	VH030/123	TP100LA4	30000
9,5	1,8	1682	3038	3,2	1,8	67,32	VH030/123	TP112MA6	30000
9,5	1,8	1682	4050	3,2	1,4	67,32	VH050/123	TP112MA6	30000
9,2	1,8	1741	3144	2,2	1,2	69,69	VH030/103	TP112MA6	22000
9,2	1,8	1783	4888	2,9	1,1	108,34	VH030/123	TP100LA4	30000
9,2	1,8	1741	4193	2,2	0,9	69,69	VH050/103	TP112MA6	22000
8,7	1,7	1842	3326	2,9	1,6	73,71	VH030/123	TP112MA6	30000
8,7	1,7	1842	4435	2,9	1,2	73,71	VH050/123	TP112MA6	30000
8,4	1,6	1952	5352	2,7	1,0	118,62	VH030/123	TP100LA4	30000
8,1	1,5	1994	3601	1,9	1,1	79,82	VH030/103	TP112MA6	22000
7,8	1,5	2109	5783	2,5	0,9	128,18	VH030/123	TP100LA4	30000
7,7	1,5	2082	3760	2,6	1,5	83,34	VH030/123	TP112MA6	30000
7,7	1,5	2082	5013	2,6	1,1	83,34	VH050/123	TP112MA6	30000
7,6	1,5	2103	3797	1,8	1,0	84,16	VH030/103	TP112MA6	22000
7,1	1,4	2248	4059	2,4	1,4	89,97	VH030/123	TP112MA6	30000
7,1	1,4	2248	5413	2,4	1,0	89,97	VH050/123	TP112MA6	30000
6,9	1,3	2333	4213	1,6	0,9	93,36	VH030/103	TP112MA6	22000
6,4	1,2	2506	4525	2,1	1,2	100,29	VH030/123	TP112MA6	30000
6,4	1,2	2506	6033	2,1	0,9	100,29	VH050/123	TP112MA6	30000
5,9	1,1	2707	4888	2,0	1,1	108,34	VH030/123	TP112MA6	30000
5,4	1,0	2964	5352	1,8	1,0	118,62	VH030/123	TP112MA6	30000
5,0	1,0	3202	5783	1,7	0,9	128,18	VH030/123	TP112MA6	30000

(a) Values relating to maximum speed

(b) Values relating to minimum speed

12.2 VH - PERFORMANCE

3,00 kW

n2 (a) [rpm]	n2 (b) [rpm]	M2 (a) [Nm]	M2 (b) [Nm]	fs (a)	fs (b)	i	Gear reducer	Motor	Fr2 [N]
518,0	98,0	45	90	5,4	2,8	1,93	VH030/081	TP100LB4	4000
496,0	94,0	46	60	4,7	3,6	1,30	VH030/081	TP112MB6	4000
450,0	86,0	50	67	4,7	3,6	1,43	VH030/081	TP112MB6	4000
429,0	81,0	55	109	5,3	3,2	4,67	VH020/081	TP100LA2	4000
429,0	81,0	55	217	5,3	1,6	4,67	VH030/081	TP100LA2	4000
393,0	75,0	59	118	5,0	2,6	2,54	VH030/081	TP100LB4	4000
361,0	69,0	65	129	4,6	2,8	5,54	VH020/081	TP100LA2	4000
361,0	69,0	65	258	4,6	1,4	5,54	VH030/081	TP100LA2	4000
333,0	63,0	68	90	3,6	2,8	1,93	VH030/081	TP112MB6	4000
329,0	62,0	72	142	4,3	2,6	6,08	VH020/081	TP100LA2	4000
329,0	62,0	72	283	4,3	1,3	6,08	VH030/081	TP100LA2	4000
308,0	58,0	75	151	4,3	2,2	3,25	VH030/081	TP100LB4	4000
271,0	51,0	86	170	5,8	3,5	7,39	VH020/062	TP100LA2	12000
271,0	51,0	86	341	5,8	1,8	7,39	VH030/062	TP100LA2	12000
269,0	51,0	86	173	3,7	2,0	3,72	VH030/081	TP100LB4	4000
267,0	51,0	88	175	3,6	2,2	7,50	VH020/081	TP100LA2	4000
267,0	51,0	88	349	3,6	1,1	7,50	VH030/081	TP100LA2	4000
253,0	48,0	89	118	3,4	2,6	2,54	VH030/081	TP112MB6	4000
250,0	48,0	93	186	3,6	1,9	4,00	VH030/081	TP100LB4	4000
238,0	45,0	99	391	5,9	1,8	8,40	VH030/101	TP100LA2	5000
237,0	45,0	99	197	3,2	1,9	8,44	VH020/081	TP100LA2	4000
237,0	45,0	99	393	3,2	1,0	8,44	VH030/081	TP100LA2	4000
235,0	45,0	99	196	5,5	3,3	8,50	VH020/062	TP100LA2	12000
235,0	45,0	99	392	5,5	1,7	8,50	VH030/062	TP100LA2	12000
214,0	41,0	108	217	3,1	1,6	4,67	VH030/081	TP100LB4	4000
213,0	40,0	109	216	5,0	3,0	9,39	VH020/062	TP100LA2	12000
213,0	40,0	109	432	5,0	1,5	9,39	VH030/062	TP100LA2	12000
205,0	39,0	113	227	5,7	3,0	4,88	VH030/101	TP100LB4	5000
198,0	38,0	114	151	2,9	2,2	3,25	VH030/081	TP112MB6	4000
196,0	37,0	115	152	5,6	4,3	3,27	VH030/101	TP112MB6	5000
196,0	37,0	115	203	5,6	3,2	3,27	VH050/101	TP112MB6/132S6	5000
196,0	37,0	115	457	5,6	1,4	3,27	VH100/101	TP132S6	5000
190,0	36,0	122	245	5,3	2,8	5,27	VH030/101	TP100LB4	5000
186,0	35,0	123	248	4,2	2,2	5,38	VH030/062	TP100LB4	12000
186,0	35,0	123	248	5,9	3,1	5,39	VH030/082	TP100LB4	17939
181,0	34,0	128	258	2,7	1,4	5,54	VH030/081	TP100LB4	4000
174,0	33,0	130	172	4,9	3,8	3,70	VH030/101	TP112MB6	5000
174,0	33,0	130	230	4,9	2,9	3,70	VH050/101	TP112MB6/132S6	5000
174,0	33,0	130	517	4,9	1,3	3,70	VH100/101	TP132S6	5000
173,0	33,0	131	173	2,5	2,0	3,72	VH030/081	TP112MB6	4000
171,0	33,0	136	269	4,3	2,6	11,69	VH020/062	TP100LA2	12000
171,0	33,0	136	539	4,3	1,3	11,69	VH030/062	TP100LA2	12000
168,0	32,0	136	273	4,2	2,2	5,93	VH030/062	TP100LB4	12000
168,0	32,0	136	274	5,3	2,8	5,95	VH030/082	TP100LB4	18000
164,0	31,0	141	283	2,5	1,3	6,08	VH030/081	TP100LB4	4000
161,0	31,0	141	186	2,4	1,9	4,00	VH030/081	TP112MB6	4000
160,0	30,0	144	290	4,6	2,4	6,23	VH030/101	TP100LB4	5000
158,0	30,0	148	292	4,3	2,6	12,67	VH020/062	TP100LA2	12000
158,0	30,0	148	584	4,3	1,3	12,67	VH030/062	TP100LA2	12000
152,0	29,0	148	197	4,4	3,4	4,22	VH030/101	TP112MB6	5000
152,0	29,0	148	262	4,4	2,6	4,22	VH050/101	TP112MB6/132S6	5000
152,0	29,0	148	590	4,4	1,1	4,22	VH100/101	TP132S6	5000
138,0	26,0	164	217	2,1	1,6	4,67	VH030/081	TP112MB6	4000
136,0	26,0	172	340	3,7	2,2	14,75	VH020/062	TP100LA2	12000
136,0	26,0	172	680	3,7	1,1	14,75	VH030/062	TP100LA2	12000
135,0	26,0	169	341	3,4	1,8	7,39	VH030/062	TP100LB4	12000
135,0	26,0	169	341	4,9	2,6	7,39	VH030/082	TP100LB4	18000
134,0	25,0	169	223	5,5	4,3	4,80	VH030/121	TP112MB6	6000

(a) Values relating to maximum speed

(b) Values relating to minimum speed

12.2 VH - PERFORMANCE

3,00 kW

n2 (a) [rpm]	n2 (b) [rpm]	M2 (a) [Nm]	M2 (b) [Nm]	fs (a)	fs (b)	i	Gear reducer	Motor	Fr2 [N]
134,0	25,0	169	298	5,5	3,2	4,80	VH050/121	TP112MB6/132S6	6000
134,0	25,0	169	670	5,5	1,4	4,80	VH100/121	TP132S6	6000
133,0	25,0	174	349	2,1	1,1	7,50	VH030/081	TP100LB4	4000
133,0	25,0	175	351	3,9	2,0	7,55	VH030/101	TP100LB4	5000
132,0	25,0	171	227	3,9	3,0	4,88	VH030/101	TP112MB6	5000
132,0	25,0	171	303	3,9	2,2	4,88	VH050/101	TP112MB6/132S6	5000
132,0	25,0	171	681	3,9	1,0	4,88	VH100/101	TP132S6	5000
130,0	25,0	178	359	5,8	3,1	7,70	VH030/121	TP100LB4	6000
125,0	24,0	184	370	4,5	2,4	8,02	VH030/082	TP100LB4	18000
123,0	23,0	190	375	3,8	2,3	16,29	VH020/062	TP100LA2	12000
123,0	23,0	190	750	3,8	1,2	16,29	VH030/062	TP100LA2	12000
123,0	23,0	183	243	5,1	4,0	5,21	VH030/121	TP112MB6	6000
123,0	23,0	183	324	5,1	3,0	5,21	VH050/121	TP112MB6/132S6	6000
123,0	23,0	183	728	5,1	1,3	5,21	VH100/121	TP132S6	6000
122,0	23,0	185	245	3,6	2,8	5,27	VH030/101	TP112MB6	5000
122,0	23,0	185	327	3,6	2,1	5,27	VH050/101	TP112MB6/132S6	5000
122,0	23,0	185	736	3,6	0,9	5,27	VH100/101	TP132S6	5000
120,0	23,0	187	248	2,9	2,2	5,38	VH030/062	TP112MB6	12000
119,0	23,0	188	248	4,0	3,1	5,39	VH030/082	TP112MB6	17769
119,0	23,0	194	391	3,5	1,8	8,40	VH030/101	TP100LB4	5000
118,0	23,0	196	393	1,9	1,0	8,44	VH030/081	TP100LB4	4000
118,0	22,0	195	392	3,2	1,7	8,50	VH030/062	TP100LB4	12000
116,0	22,0	195	258	1,8	1,4	5,54	VH030/081	TP112MB6	4000
113,0	22,0	206	407	3,6	2,2	17,67	VH020/062	TP100LA2	12000
113,0	22,0	206	814	3,6	1,1	17,67	VH030/062	TP100LA2	12000
113,0	21,0	203	408	4,6	2,4	8,85	VH030/082	TP100LB4	18000
108,0	21,0	207	273	2,9	2,2	5,93	VH030/062	TP112MB6	12000
108,0	21,0	207	274	3,6	2,8	5,95	VH030/082	TP112MB6	18000
107,0	20,0	215	432	2,9	1,5	9,39	VH030/062	TP100LB4	12000
106,0	20,0	214	283	1,7	1,3	6,08	VH030/081	TP112MB6	4000
103,0	20,0	219	290	3,1	2,4	6,23	VH030/101	TP112MB6	5000
103,0	20,0	220	291	4,4	3,4	6,25	VH030/121	TP112MB6	6000
103,0	20,0	219	387	3,1	1,8	6,23	VH050/101	TP112MB6/132S6	5000
103,0	20,0	220	388	4,4	2,5	6,25	VH050/121	TP112MB6/132S6	6000
103,0	20,0	220	873	4,4	1,1	6,25	VH100/121	TP132S6	6000
99,0	19,0	236	467	3,3	2,0	20,28	VH020/062	TP100LA2	12000
99,0	19,0	236	935	3,3	1,0	20,28	VH030/062	TP100LA2	12000
94,0	18,0	249	493	5,8	3,5	21,39	VH020/082	TP100LA2	18000
94,0	18,0	249	986	5,8	1,8	21,39	VH030/082	TP100LA2	18000
91,0	17,0	252	507	4,5	2,4	11,01	VH030/082	TP100LB4	18000
88,0	17,0	266	525	5,4	3,3	22,80	VH020/082	TP100LA2	18000
88,0	17,0	266	1051	5,4	1,7	22,80	VH030/082	TP100LA2	18000
87,0	17,0	257	341	2,3	1,8	7,39	VH030/062	TP112MB6	12000
87,0	17,0	257	341	3,3	2,6	7,39	VH030/082	TP112MB6	18000
86,0	16,0	271	536	2,8	1,7	23,27	VH020/062	TP100LA2	12000
86,0	16,0	268	539	2,5	1,3	11,69	VH030/062	TP100LB4	12000
86,0	16,0	264	349	1,4	1,1	7,50	VH030/081	TP112MB6	4000
85,0	16,0	265	351	2,6	2,0	7,55	VH030/101	TP112MB6	5000
85,0	16,0	265	468	2,6	1,5	7,55	VH050/101	TP112MB6/132S6	5000
83,0	16,0	271	359	4,0	3,1	7,70	VH030/121	TP112MB6	6000
83,0	16,0	271	478	4,0	2,3	7,70	VH050/121	TP112MB6/132S6	6000
83,0	16,0	271	1076	4,0	1,0	7,70	VH100/121	TP132S6	6000
80,0	15,0	279	370	3,1	2,4	8,02	VH030/082	TP112MB6	18000
79,0	15,0	290	584	2,5	1,3	12,67	VH030/062	TP100LB4	12000
78,0	15,0	299	592	2,6	1,6	25,70	VH020/062	TP100LA2	12000
77,0	15,0	295	391	2,4	1,8	8,40	VH030/101	TP112MB6	5000
77,0	15,0	295	521	2,4	1,4	8,40	VH050/101	TP112MB6/132S6	5000
76,0	14,0	296	392	2,2	1,7	8,50	VH030/062	TP112MB6	12000

(a) Values relating to maximum speed

(b) Values relating to minimum speed

12.2 VH - PERFORMANCE

3,00 kW

n2 (a) [rpm]	n2 (b) [rpm]	M2 (a) [Nm]	M2 (b) [Nm]	fs (a)	fs (b)	i	Gear reducer	Motor	Fr2 [N]
76,0	14,0	297	393	1,3	1,0	8,44	VH030/081	TP112MB6	4000
75,0	14,0	310	613	4,7	2,8	26,60	VH020/082	TP100LA2	18000
75,0	14,0	310	1226	4,7	1,4	26,60	VH030/082	TP100LA2	18000
74,0	14,0	309	622	4,7	2,5	13,50	VH030/082	TP100LB4	18000
73,0	14,0	308	408	3,1	2,4	8,85	VH030/082	TP112MB6	18000
72,0	14,0	325	642	4,5	2,7	27,88	VH020/082	TP100LA2	18000
72,0	14,0	325	1285	4,5	1,4	27,88	VH030/082	TP100LA2	18000
68,0	13,0	342	676	2,1	1,3	29,33	VH020/062	TP100LA2	12000
68,0	13,0	327	432	2,0	1,5	9,39	VH030/062	TP112MB6	12000
68,0	13,0	338	680	2,2	1,1	14,75	VH030/062	TP100LB4	12000
67,0	13,0	341	686	4,6	2,4	14,90	VH030/082	TP100LB4	18000
64,0	12,0	363	718	4,0	2,4	31,15	VH020/082	TP100LA2	18000
64,0	12,0	363	1436	4,0	1,2	31,15	VH030/082	TP100LA2	18000
63,0	12,0	373	737	2,1	1,3	32,00	VH020/062	TP100LA2	12000
61,0	12,0	373	750	2,2	1,2	16,29	VH030/062	TP100LB4	12000
60,0	11,0	381	766	4,1	2,1	16,62	VH030/082	TP100LB4	18000
58,0	11,0	400	792	3,6	2,2	34,38	VH020/082	TP100LA2	18000
58,0	11,0	383	507	3,1	2,4	11,01	VH030/082	TP112MB6	18000
58,0	11,0	400	1584	3,6	1,1	34,38	VH030/082	TP100LA2	18000
57,0	11,0	405	814	2,1	1,1	17,67	VH030/062	TP100LB4	12000
55,0	10,0	407	539	1,7	1,3	11,69	VH030/062	TP112MB6	12000
54,0	10,0	431	852	1,7	1,0	36,99	VH020/062	TP100LA2	12000
54,0	10,0	424	854	3,7	1,9	18,53	VH030/082	TP100LB4	18000
52,0	9,9	448	1772	5,7	1,7	38,45	VH030/102	TP100LA2	22000
52,0	9,8	451	892	3,2	2,0	38,70	VH020/082	TP100LA2	18000
52,0	9,8	444	893	3,7	2,0	19,38	VH030/082	TP100LB4	18000
52,0	9,8	451	1783	3,2	1,0	38,70	VH030/082	TP100LA2	18000
51,0	9,6	441	584	1,7	1,3	12,67	VH030/062	TP112MB6	12000
50,0	9,4	470	929	1,6	1,0	40,33	VH020/062	TP100LA2	12000
49,0	9,4	465	935	1,9	1,0	20,28	VH030/062	TP100LB4	12000
48,0	9,0	470	622	3,2	2,5	13,50	VH030/082	TP112MB6	18000
47,0	8,9	498	985	2,9	1,8	42,75	VH020/082	TP100LA2	18000
47,0	8,9	490	986	3,4	1,8	21,39	VH030/082	TP100LB4	18000
44,0	8,3	513	680	1,5	1,1	14,75	VH030/062	TP112MB6	12000
44,0	8,3	522	1051	3,2	1,7	22,80	VH030/082	TP100LB4	18000
44,0	8,3	534	2111	5,6	1,7	45,82	VH030/102	TP100LA2	22000
43,0	8,2	518	686	3,1	2,4	14,90	VH030/082	TP112MB6	18000
42,0	7,9	561	1109	2,6	1,6	48,13	VH020/082	TP100LA2	18000
39,0	7,5	567	750	1,5	1,2	16,29	VH030/062	TP112MB6	12000
39,0	7,4	578	766	2,8	2,2	16,62	VH030/082	TP112MB6	18000
39,0	7,4	600	2374	5,0	1,5	51,52	VH030/102	TP100LA2	22000
39,0	7,3	593	1193	5,8	3,0	25,89	VH030/102	TP100LB4	22000
38,0	7,1	609	1226	2,7	1,4	26,60	VH030/082	TP100LB4	18000
36,0	6,9	615	814	1,4	1,1	17,67	VH030/062	TP112MB6	12000
36,0	6,9	633	2503	5,0	1,5	55,47	VH030/103	TP100LA2	22000
36,0	6,8	639	1285	2,6	1,4	27,88	VH030/082	TP100LB4	18000
36,0	6,8	621	823	5,5	4,3	17,85	VH030/102	TP112MB6	22000
36,0	6,8	621	1097	5,5	3,2	17,85	VH050/102	TP112MB6/132S6	22000
36,0	6,8	621	2468	5,5	1,4	17,85	VH100/102	TP132S6	22000
35,0	6,7	645	1275	2,2	1,4	56,53	VH020/083	TP100LA2	18000
35,0	6,6	645	854	2,5	1,9	18,53	VH030/082	TP112MB6	18000
35,0	6,6	658	1324	5,2	2,7	28,73	VH030/102	TP100LB4	22000
33,0	6,3	675	893	2,5	2,0	19,38	VH030/082	TP112MB6	18000
33,0	6,2	704	1416	4,7	2,5	30,72	VH030/102	TP100LB4	22000
32,0	6,2	691	915	5,0	3,8	19,85	VH030/102	TP112MB6	22000
32,0	6,2	691	1219	5,0	2,9	19,85	VH050/102	TP112MB6/132S6	22000
32,0	6,2	691	2744	5,0	1,3	19,85	VH100/102	TP132S6	22000
32,0	6,1	714	1436	2,3	1,2	31,15	VH030/082	TP100LB4	18000

(a) Values relating to maximum speed

(b) Values relating to minimum speed

3,00 kW

n2 (a) [rpm]	n2 (b) [rpm]	M2 (a) [Nm]	M2 (b) [Nm]	fs (a)	fs (b)	i	Gear reducer	Motor	Fr2 [N]
32,0	6,0	706	935	1,3	1,0	20,28	VH030/062	TP112MB6	12000
30,0	5,7	744	986	2,3	1,8	21,39	VH030/082	TP112MB6	18000
30,0	5,7	746	988	4,6	3,6	21,44	VH030/102	TP112MB6	22000
30,0	5,7	746	1317	4,6	2,7	21,44	VH050/102	TP112MB6/132S6	22000
30,0	5,7	746	2964	4,6	1,2	21,44	VH100/102	TP132S6	22000
30,0	5,6	768	3038	5,9	1,8	67,32	VH030/123	TP100LA2	30000
29,0	5,6	784	1576	4,3	2,2	34,20	VH030/102	TP100LB4	22000
29,0	5,5	788	1584	2,1	1,1	34,38	VH030/082	TP100LB4	18000
29,0	5,5	795	3144	4,0	1,2	69,69	VH030/103	TP100LA2	22000
28,0	5,4	793	1051	2,2	1,7	22,80	VH030/082	TP112MB6	18000
28,0	5,3	815	1613	2,0	1,2	71,48	VH020/083	TP100LA2	18000
27,0	5,2	841	3326	5,4	1,6	73,71	VH030/123	TP100LA2	30000
27,0	5,1	834	1104	4,2	3,3	23,97	VH030/102	TP112MB6	22000
27,0	5,1	834	1473	4,2	2,5	23,97	VH050/102	TP112MB6/132S6	22000
27,0	5,1	834	3313	4,2	1,1	23,97	VH100/102	TP132S6	22000
26,0	4,9	887	1783	1,9	1,0	38,70	VH030/082	TP100LB4	18000
26,0	4,9	881	1772	3,3	1,7	38,45	VH030/102	TP100LB4	22000
25,0	4,8	899	1779	1,8	1,1	78,87	VH020/083	TP100LA2	18000
25,0	4,8	910	3601	3,5	1,1	79,82	VH030/103	TP100LA2	22000
25,0	4,7	901	1193	3,9	3,0	25,89	VH030/102	TP112MB6	22000
25,0	4,7	901	1591	3,9	2,3	25,89	VH050/102	TP112MB6/132S6	22000
25,0	4,7	901	3580	3,9	1,0	25,89	VH100/102	TP132S6	22000
24,0	4,6	926	1226	1,9	1,4	26,60	VH030/082	TP112MB6	18000
24,0	4,6	946	1903	3,6	1,9	41,30	VH030/102	TP100LB4	22000
24,0	4,6	950	3760	4,8	1,4	83,34	VH030/123	TP100LA2	30000
24,0	4,5	960	3797	3,3	1,0	84,16	VH030/103	TP100LA2	22000
23,0	4,4	976	1930	1,7	1,0	85,56	VH020/083	TP100LA2	18000
23,0	4,4	970	1285	1,8	1,4	27,88	VH030/082	TP112MB6	18000
23,0	4,4	957	1267	5,6	4,3	27,49	VH030/122	TP112MB6	30000
23,0	4,4	957	1689	5,6	3,2	27,49	VH050/122	TP112MB6/132S6	30000
23,0	4,4	957	3800	5,6	1,4	27,49	VH100/122	TP132S6	30000
23,0	4,3	1010	2032	5,2	2,7	44,10	VH030/122	TP100LB4	30000
22,0	4,3	1000	1324	3,5	2,7	28,73	VH030/102	TP112MB6	22000
22,0	4,3	1000	1765	3,5	2,1	28,73	VH050/102	TP112MB6/132S6	22000
22,0	4,3	1000	3971	3,5	0,9	28,73	VH100/102	TP132S6	22000
22,0	4,2	1027	2065	5,1	2,7	45,77	VH030/123	TP100LB4	30000
22,0	4,2	1026	4059	4,4	1,3	89,97	VH030/123	TP100LA2	30000
22,0	4,1	1050	2111	3,3	1,7	45,82	VH030/102	TP100LB4	22000
22,0	4,1	1039	1376	5,2	4,0	29,86	VH030/122	TP112MB6	30000
22,0	4,1	1039	1835	5,2	3,0	29,86	VH050/122	TP112MB6/132S6	30000
22,0	4,1	1039	4128	5,2	1,3	29,86	VH100/122	TP132S6	30000
21,0	4,1	1065	4213	3,0	0,9	93,36	VH030/103	TP100LA2	22000
21,0	4,0	1069	1416	3,2	2,5	30,72	VH030/102	TP112MB6	22000
21,0	4,0	1069	1887	3,2	1,9	30,72	VH050/102	TP112MB6/132S6	22000
21,0	3,9	1084	1436	1,6	1,2	31,15	VH030/082	TP112MB6	18000
20,0	3,8	1144	4525	4,0	1,2	100,29	VH030/123	TP100LA2	30000
19,0	3,7	1180	2374	2,9	1,5	51,52	VH030/102	TP100LB4	22000
19,0	3,7	1148	1521	4,7	3,6	33,00	VH030/122	TP112MB6	30000
19,0	3,7	1148	2028	4,7	2,7	33,00	VH050/122	TP112MB6/132S6	30000
19,0	3,7	1148	4562	4,7	1,2	33,00	VH100/122	TP132S6	30000
19,0	3,6	1196	1584	1,4	1,1	34,38	VH030/082	TP112MB6	18000
19,0	3,6	1190	1576	2,9	2,2	34,20	VH030/102	TP112MB6	22000
19,0	3,6	1190	2101	2,9	1,7	34,20	VH050/102	TP112MB6/132S6	22000
18,0	3,5	1236	4888	3,7	1,1	108,34	VH030/123	TP100LA2	30000
18,0	3,4	1245	2503	2,9	1,5	55,47	VH030/103	TP100LB4	22000
18,0	3,4	1257	1665	4,3	3,3	36,13	VH030/122	TP112MB6	30000
18,0	3,4	1253	2521	4,2	2,2	55,87	VH030/123	TP100LB4	30000
18,0	3,4	1257	2220	4,3	2,5	36,13	VH050/122	TP112MB6/132S6	30000

(a) Values relating to maximum speed

(b) Values relating to minimum speed

12.2 VH - PERFORMANCE

3,00 kW

n2 (a) [rpm]	n2 (b) [rpm]	M2 (a) [Nm]	M2 (b) [Nm]	fs (a)	fs (b)	i	Gear reducer	Motor	Fr2 [N]
18,0	3,4	1257	4995	4,3	1,1	36,13	VH100/122	TP132S6	30000
17,0	3,2	1347	1783	1,3	1,0	38,70	VH030/082	TP112MB6	18000
17,0	3,2	1338	1772	2,2	1,7	38,45	VH030/102	TP112MB6	22000
17,0	3,2	1353	5352	3,3	1,0	118,62	VH030/123	TP100LA2	30000
17,0	3,2	1338	2363	2,2	1,3	38,45	VH050/102	TP112MB6/132S6	22000
16,0	3,0	1437	1903	2,5	1,9	41,30	VH030/102	TP112MB6	22000
16,0	3,0	1462	5783	3,1	0,9	128,18	VH030/123	TP100LA2	30000
16,0	3,0	1437	2537	2,5	1,4	41,30	VH050/102	TP112MB6/132S6	22000
15,0	2,8	1534	2032	3,5	2,7	44,10	VH030/122	TP112MB6	30000
15,0	2,8	1510	3038	3,4	1,8	67,32	VH030/123	TP100LB4	30000
15,0	2,8	1534	2710	3,5	2,0	44,10	VH050/122	TP112MB6/132S6	30000
15,0	2,8	1534	6096	3,5	0,9	44,10	VH100/122	TP132S6	30000
14,0	2,7	1594	2111	2,2	1,7	45,82	VH030/102	TP112MB6	22000
14,0	2,7	1564	3144	2,3	1,2	69,69	VH030/103	TP100LB4	22000
14,0	2,7	1560	2065	3,4	2,7	45,77	VH030/123	TP112MB6	30000
14,0	2,7	1594	2815	2,2	1,3	45,82	VH050/102	TP112MB6/132S6	22000
14,0	2,7	1560	2754	3,4	2,0	45,77	VH050/123	TP112MB6/132S6	30000
14,0	2,6	1654	3326	3,1	1,6	73,71	VH030/123	TP100LB4	30000
13,0	2,4	1791	3601	2,0	1,1	79,82	VH030/103	TP100LB4	22000
12,0	2,4	1793	2374	2,0	1,5	51,52	VH030/102	TP112MB6	22000
12,0	2,4	1793	3165	2,0	1,1	51,52	VH050/102	TP112MB6/132S6	22000
12,0	2,3	1888	3797	1,9	1,0	84,16	VH030/103	TP100LB4	22000
12,0	2,3	1870	3760	2,8	1,5	83,34	VH030/123	TP100LB4	30000
12,0	2,2	1890	2503	2,0	1,5	55,47	VH030/103	TP112MB6	22000
12,0	2,2	1903	2521	2,8	2,2	55,87	VH030/123	TP112MB6	30000
12,0	2,2	1890	3337	2,0	1,2	55,47	VH050/103	TP112MB6/132S6	22000
12,0	2,2	1903	3361	2,8	1,6	55,87	VH050/123	TP112MB6/132S6	30000
11,0	2,1	2019	4059	2,6	1,3	89,97	VH030/123	TP100LB4	30000
11,0	2,0	2095	4213	1,7	0,9	93,36	VH030/103	TP100LB4	22000
10,0	1,9	2250	4525	2,3	1,2	100,29	VH030/123	TP100LB4	30000
9,5	1,8	2294	3038	2,3	1,8	67,32	VH030/123	TP112MB6	30000
9,5	1,8	2294	4050	2,3	1,4	67,32	VH050/123	TP112MB6/132S6	30000
9,2	1,8	2374	3144	1,6	1,2	69,69	VH030/103	TP112MB6	22000
9,2	1,8	2431	4888	2,1	1,1	108,34	VH030/123	TP100LB4	30000
9,2	1,8	2374	4193	1,6	0,9	69,69	VH050/103	TP112MB6/132S6	22000
8,7	1,7	2511	3326	2,1	1,6	73,71	VH030/123	TP112MB6	30000
8,7	1,7	2511	4435	2,1	1,2	73,71	VH050/123	TP112MB6/132S6	30000
8,4	1,6	2661	5352	2,0	1,0	118,62	VH030/123	TP100LB4	30000
8,1	1,5	2719	3601	1,4	1,1	79,82	VH030/103	TP112MB6	22000
7,8	1,5	2876	5783	1,8	0,9	128,18	VH030/123	TP100LB4	30000
7,7	1,5	2839	3760	1,9	1,5	83,34	VH030/123	TP112MB6	30000
7,7	1,5	2839	5013	1,9	1,1	83,34	VH050/123	TP112MB6/132S6	30000
7,6	1,5	2867	3797	1,3	1,0	84,16	VH030/103	TP112MB6	22000
7,1	1,4	3065	4059	1,7	1,4	89,97	VH030/123	TP112MB6	30000
7,1	1,4	3065	5413	1,7	1,0	89,97	VH050/123	TP112MB6/132S6	30000
6,9	1,3	3181	4213	1,2	0,9	93,36	VH030/103	TP112MB6	22000
6,4	1,2	3417	4525	1,6	1,2	100,29	VH030/123	TP112MB6	30000
6,4	1,2	3417	6033	1,6	0,9	100,29	VH050/123	TP112MB6/132S6	30000
5,9	1,1	3691	4888	1,5	1,1	108,34	VH030/123	TP112MB6	30000
5,4	1,0	4042	5352	1,3	1,0	118,62	VH030/123	TP112MB6	30000
5,0	1,0	4367	5783	1,2	0,9	128,18	VH030/123	TP112MB6	30000

(a) Values relating to maximum speed

(b) Values relating to minimum speed

4,00 kW

n2 (a) [rpm]	n2 (b) [rpm]	M2 (a) [Nm]	M2 (b) [Nm]	fs (a)	fs (b)	i	Gear reducer	Motor	Fr2 [N]
771,0	146,0	40	60	5,2	3,6	1,30	VH030/081	TP112MA4	4000
700,0	133,0	44	67	5,2	3,6	1,43	VH030/081	TP112MA4	4000
518,0	98,0	60	90	4,0	2,8	1,93	VH030/081	TP112MA4	4000
393,0	75,0	78	118	3,7	2,6	2,54	VH030/081	TP112MA4	4000
316,0	60,0	95	126	5,1	3,9	2,03	VH050/101	TP132MA6	5000
316,0	60,0	95	284	5,1	1,7	2,03	VH100/101	TP132MA6	5000
308,0	58,0	100	151	3,2	2,2	3,25	VH030/081	TP112MA4	4000
270,0	51,0	114	172	5,5	3,8	3,70	VH030/101	TP112MA4	5000
270,0	51,0	114	230	5,5	2,9	3,70	VH050/101	TP112MA4	5000
269,0	51,0	115	173	2,8	2,0	3,72	VH030/081	TP112MA4	4000
259,0	49,0	116	154	5,1	3,9	2,48	VH050/101	TP132MA6	5000
259,0	49,0	116	347	5,1	1,7	2,48	VH100/101	TP132MA6	5000
250,0	48,0	123	186	2,7	1,9	4,00	VH030/081	TP112MA4	4000
237,0	45,0	130	197	4,9	3,4	4,22	VH030/101	TP112MA4	5000
237,0	45,0	130	262	4,9	2,5	4,22	VH050/101	TP112MA4	5000
214,0	41,0	144	217	2,3	1,6	4,67	VH030/081	TP112MA4	4000
205,0	39,0	150	227	4,3	3,0	4,88	VH030/101	TP112MA4	5000
205,0	39,0	150	303	4,3	2,2	4,88	VH050/101	TP112MA4	5000
205,0	39,0	147	195	6,0	4,6	3,14	VH050/121	TP132MA6	6000
205,0	39,0	147	439	6,0	2,1	3,14	VH100/121	TP132MA6	6000
196,0	37,0	153	203	4,2	3,2	3,27	VH050/101	TP132MA6	5000
196,0	37,0	153	457	4,2	1,4	3,27	VH100/101	TP132MA6	5000
192,0	36,0	161	243	5,7	4,0	5,21	VH030/121	TP112MA4	6000
192,0	36,0	161	324	5,7	3,0	5,21	VH050/121	TP112MA4	6000
190,0	36,0	163	245	4,0	2,8	5,27	VH030/101	TP112MA4	5000
190,0	36,0	163	327	4,0	2,1	5,27	VH050/101	TP112MA4	5000
186,0	35,0	164	248	3,2	2,2	5,38	VH030/062	TP112MA4	12000
186,0	35,0	165	248	4,4	3,1	5,39	VH030/082	TP112MA4	16667
181,0	34,0	171	258	2,0	1,4	5,54	VH030/081	TP112MA4	4000
180,0	34,0	168	222	5,4	4,2	3,58	VH050/121	TP132MA6	6000
180,0	34,0	168	500	5,4	1,9	3,58	VH100/121	TP132MA6	6000
174,0	33,0	173	230	3,7	2,9	3,70	VH050/101	TP132MA6	5000
174,0	33,0	173	517	3,7	1,3	3,70	VH100/101	TP132MA6	5000
168,0	32,0	181	273	3,2	2,2	5,93	VH030/062	TP112MA4	12000
168,0	32,0	182	274	4,0	2,8	5,95	VH030/082	TP112MA4	17143
164,0	31,0	188	283	1,9	1,3	6,08	VH030/081	TP112MA4	4000
160,0	30,0	192	290	3,5	2,4	6,23	VH030/101	TP112MA4	5000
160,0	30,0	193	291	4,9	3,4	6,25	VH030/121	TP112MA4	6000
160,0	30,0	192	387	3,5	1,8	6,23	VH050/101	TP112MA4	5000
160,0	30,0	193	388	4,9	2,5	6,25	VH050/121	TP112MA4	6000
156,0	30,0	193	256	4,7	3,6	4,12	VH050/121	TP132MA6	6000
156,0	30,0	193	575	4,7	1,6	4,12	VH100/121	TP132MA6	6000
152,0	29,0	198	262	3,3	2,6	4,22	VH050/101	TP132MA6	5000
152,0	29,0	198	590	3,3	1,1	4,22	VH100/101	TP132MA6	5000
135,0	26,0	226	341	2,5	1,8	7,39	VH030/062	TP112MA4	12000
135,0	26,0	226	341	3,7	2,6	7,39	VH030/082	TP112MA4	18000
134,0	25,0	225	298	4,1	3,2	4,80	VH050/121	TP132MA6	6000
134,0	25,0	225	670	4,1	1,4	4,80	VH100/121	TP132MA6	6000
133,0	25,0	232	349	1,6	1,1	7,50	VH030/081	TP112MA4	4000
133,0	25,0	233	351	2,9	2,0	7,55	VH030/101	TP112MA4	5000
133,0	25,0	233	468	2,9	1,5	7,55	VH050/101	TP112MA4	5000
132,0	25,0	229	303	2,9	2,2	4,88	VH050/101	TP132MA6	5000
132,0	25,0	229	681	2,9	1,0	4,88	VH100/101	TP132MA6	5000
130,0	25,0	238	359	4,4	3,1	7,70	VH030/121	TP112MA4	6000
130,0	25,0	238	478	4,4	2,3	7,70	VH050/121	TP112MA4	6000
125,0	24,0	245	370	3,4	2,4	8,02	VH030/082	TP112MA4	18000
123,0	23,0	244	324	3,9	3,0	5,21	VH050/121	TP132MA6	6000
123,0	23,0	244	728	3,9	1,3	5,21	VH100/121	TP132MA6	6000

(a) Values relating to maximum speed

(b) Values relating to minimum speed

12.2 VH - PERFORMANCE

4,00 kW

n2 (a) [rpm]	n2 (b) [rpm]	M2 (a) [Nm]	M2 (b) [Nm]	fs (a)	fs (b)	i	Gear reducer	Motor	Fr2 [N]
122,0	23,0	247	327	2,7	2,1	5,27	VH050/101	TP132MA6	5000
122,0	23,0	247	736	2,7	0,9	5,27	VH100/101	TP132MA6	5000
119,0	23,0	259	391	2,6	1,8	8,40	VH030/101	TP112MA4	5000
119,0	23,0	259	521	2,6	1,4	8,40	VH050/101	TP112MA4	5000
118,0	23,0	261	393	1,4	1,0	8,44	VH030/081	TP112MA4	4000
118,0	22,0	260	392	2,4	1,7	8,50	VH030/062	TP112MA4	12000
113,0	21,0	270	408	3,5	2,4	8,85	VH030/082	TP112MA4	18000
107,0	20,0	287	432	2,2	1,5	9,39	VH030/062	TP112MA4	12000
103,0	20,0	292	387	2,3	1,8	6,23	VH050/101	TP132MA6	5000
103,0	20,0	293	388	3,3	2,5	6,25	VH050/121	TP132MA6	6000
103,0	20,0	293	873	3,3	1,1	6,25	VH100/121	TP132MA6	6000
91,0	17,0	336	507	3,4	2,4	11,01	VH030/082	TP112MA4	18000
86,0	16,0	357	539	1,9	1,3	11,69	VH030/062	TP112MA4	12000
85,0	16,0	354	468	2,0	1,5	7,55	VH050/101	TP132MA6	5000
83,0	16,0	361	478	3,0	2,3	7,70	VH050/121	TP132MA6	6000
83,0	16,0	361	1076	3,0	1,0	7,70	VH100/121	TP132MA6	6000
79,0	15,0	387	584	1,9	1,3	12,67	VH030/062	TP112MA4	12000
77,0	15,0	394	521	1,8	1,4	8,40	VH050/101	TP132MA6	5000
74,0	14,0	412	622	3,5	2,5	13,50	VH030/082	TP112MA4	18000
68,0	13,0	451	680	1,6	1,1	14,75	VH030/062	TP112MA4	12000
67,0	13,0	455	686	3,4	2,4	14,90	VH030/082	TP112MA4	18000
61,0	12,0	498	750	1,7	1,2	16,29	VH030/062	TP112MA4	12000
60,0	11,0	508	766	3,1	2,1	16,62	VH030/082	TP112MA4	18000
57,0	11,0	540	814	1,6	1,1	17,67	VH030/062	TP112MA4	12000
54,0	10,0	566	854	2,8	1,9	18,53	VH030/082	TP112MA4	18000
52,0	9,8	592	893	2,8	2,0	19,38	VH030/082	TP112MA4	18000
50,0	9,6	606	915	5,5	3,8	19,85	VH030/102	TP112MA4	22000
50,0	9,6	606	1219	5,5	2,9	19,85	VH050/102	TP112MA4	22000
49,0	9,4	620	935	1,4	1,0	20,28	VH030/062	TP112MA4	12000
48,0	9,2	618	819	5,4	4,2	13,32	VH050/102	TP132MA6	22000
48,0	9,2	618	1842	5,4	1,8	13,32	VH100/102	TP132MA6	22000
47,0	8,9	653	986	2,5	1,8	21,39	VH030/082	TP112MA4	18000
47,0	8,9	655	988	5,1	3,5	21,44	VH030/102	TP112MA4	22000
47,0	8,9	655	1317	5,1	2,7	21,44	VH050/102	TP112MA4	22000
44,0	8,3	697	1051	2,4	1,7	22,80	VH030/082	TP112MA4	18000
42,0	7,9	732	1104	4,7	3,3	23,97	VH030/102	TP112MA4	22000
42,0	7,9	732	1473	4,7	2,5	23,97	VH050/102	TP112MA4	22000
40,0	7,6	747	989	4,6	3,6	16,09	VH050/102	TP132MA6	22000
40,0	7,6	747	2224	4,6	1,6	16,09	VH100/102	TP132MA6	22000
39,0	7,3	791	1193	4,3	3,0	25,89	VH030/102	TP112MA4	22000
39,0	7,3	791	1591	4,3	2,3	25,89	VH050/102	TP112MA4	22000
38,0	7,1	813	1226	2,0	1,4	26,60	VH030/082	TP112MA4	18000
36,0	6,8	852	1285	2,0	1,4	27,88	VH030/082	TP112MA4	18000
36,0	6,8	828	1097	4,1	3,2	17,85	VH050/102	TP132MA6	22000
36,0	6,8	828	2468	4,1	1,4	17,85	VH100/102	TP132MA6	22000
35,0	6,6	878	1324	3,9	2,7	28,73	VH030/102	TP112MA4	22000
35,0	6,6	878	1765	3,9	2,0	28,73	VH050/102	TP112MA4	22000
33,0	6,4	912	1376	5,7	4,0	29,86	VH030/122	TP112MA4	30000
33,0	6,4	912	1835	5,7	3,0	29,86	VH050/122	TP112MA4	30000
33,0	6,3	896	1187	6,0	4,6	19,32	VH050/122	TP132MA6	30000
33,0	6,3	896	2671	6,0	2,1	19,32	VH100/122	TP132MA6	30000
33,0	6,2	939	1416	3,5	2,5	30,72	VH030/102	TP112MA4	22000
33,0	6,2	939	1887	3,5	1,9	30,72	VH050/102	TP112MA4	22000
32,0	6,2	921	1219	3,7	2,9	19,85	VH050/102	TP132MA6	22000
32,0	6,2	921	2744	3,7	1,3	19,85	VH100/102	TP132MA6	22000
32,0	6,1	952	1436	1,7	1,2	31,15	VH030/082	TP112MA4	18000
31,0	5,9	954	1264	5,6	4,3	20,57	VH050/122	TP132MA6	30000
31,0	5,9	954	2844	5,6	1,9	20,57	VH100/122	TP132MA6	30000

(a) Values relating to maximum speed

(b) Values relating to minimum speed

4,00 kW

n2 (a) [rpm]	n2 (b) [rpm]	M2 (a) [Nm]	M2 (b) [Nm]	fs (a)	fs (b)	i	Gear reducer	Motor	Fr2 [N]
30,0	5,8	1008	1521	5,2	3,6	33,00	VH030/122	TP112MA4	30000
30,0	5,8	1008	2028	5,2	2,7	33,00	VH050/122	TP112MA4	30000
30,0	5,7	995	1317	3,4	2,7	21,44	VH050/102	TP132MA6	22000
30,0	5,7	995	2964	3,4	1,2	21,44	VH100/102	TP132MA6	22000
29,0	5,6	1045	1576	3,2	2,2	34,20	VH030/102	TP112MA4	22000
29,0	5,6	1045	2101	3,2	1,7	34,20	VH050/102	TP112MA4	22000
29,0	5,5	1050	1584	1,6	1,1	34,38	VH030/082	TP112MA4	18000
29,0	5,4	1045	1384	5,1	4,0	22,52	VH050/122	TP132MA6	30000
29,0	5,4	1045	3114	5,1	1,8	22,52	VH100/122	TP132MA6	30000
28,0	5,3	1104	1665	4,7	3,3	36,13	VH030/122	TP112MA4	30000
28,0	5,3	1104	2220	4,7	2,5	36,13	VH050/122	TP112MA4	30000
27,0	5,1	1112	1473	3,2	2,5	23,97	VH050/102	TP132MA6	22000
27,0	5,1	1112	3313	3,2	1,1	23,97	VH100/102	TP132MA6	22000
26,0	5,0	1135	1503	4,7	3,7	24,47	VH050/122	TP132MA6	30000
26,0	5,0	1135	3382	4,7	1,6	24,47	VH100/122	TP132MA6	30000
26,0	4,9	1182	1783	1,4	1,0	38,70	VH030/082	TP112MA4	18000
26,0	4,9	1175	1772	2,5	1,7	38,45	VH030/102	TP112MA4	22000
26,0	4,9	1175	2363	2,5	1,3	38,45	VH050/102	TP112MA4	22000
25,0	4,7	1201	1591	2,9	2,3	25,89	VH050/102	TP132MA6	22000
25,0	4,7	1201	3580	2,9	1,0	25,89	VH100/102	TP132MA6	22000
24,0	4,6	1262	1903	2,7	1,9	41,30	VH030/102	TP112MA4	22000
24,0	4,6	1262	2537	2,7	1,4	41,30	VH050/102	TP112MA4	22000
23,0	4,4	1275	1689	4,2	3,2	27,49	VH050/122	TP132MA6	30000
23,0	4,4	1275	3800	4,2	1,4	27,49	VH100/122	TP132MA6	30000
23,0	4,3	1347	2032	3,9	2,7	44,10	VH030/122	TP112MA4	30000
23,0	4,3	1347	2710	3,9	2,0	44,10	VH050/122	TP112MA4	30000
22,0	4,3	1333	1765	2,7	2,1	28,73	VH050/102	TP132MA6	22000
22,0	4,3	1333	3971	2,7	0,9	28,73	VH100/102	TP132MA6	22000
22,0	4,2	1369	2065	3,8	2,7	45,77	VH030/123	TP112MA4	30000
22,0	4,2	1369	2754	3,8	2,0	45,77	VH050/123	TP112MA4	30000
22,0	4,1	1400	2111	2,5	1,7	45,82	VH030/102	TP112MA4	22000
22,0	4,1	1400	2815	2,5	1,3	45,82	VH050/102	TP112MA4	22000
22,0	4,1	1385	1835	3,9	3,0	29,86	VH050/122	TP132MA6	30000
22,0	4,1	1385	4128	3,9	1,3	29,86	VH100/122	TP132MA6	30000
21,0	4,0	1425	1887	2,4	1,9	30,72	VH050/102	TP132MA6	22000
19,0	3,7	1574	2374	2,2	1,5	51,52	VH030/102	TP112MA4	22000
19,0	3,7	1574	3165	2,2	1,1	51,52	VH050/102	TP112MA4	22000
19,0	3,7	1531	2028	3,5	2,7	33,00	VH050/122	TP132MA6	30000
19,0	3,7	1531	4562	3,5	1,2	33,00	VH100/122	TP132MA6	30000
19,0	3,6	1587	2101	2,2	1,7	34,20	VH050/102	TP132MA6	22000
18,0	3,4	1659	2503	2,2	1,5	55,47	VH030/103	TP112MA4	22000
18,0	3,4	1671	2521	3,1	2,2	55,87	VH030/123	TP112MA4	30000
18,0	3,4	1659	3337	2,2	1,1	55,47	VH050/103	TP112MA4	22000
18,0	3,4	1676	2220	3,2	2,5	36,13	VH050/122	TP132MA6	30000
18,0	3,4	1671	3361	3,1	1,6	55,87	VH050/123	TP112MA4	30000
18,0	3,4	1676	4995	3,2	1,1	36,13	VH100/122	TP132MA6	30000
17,0	3,2	1784	2363	1,7	1,3	38,45	VH050/102	TP132MA6	22000
16,0	3,0	1916	2537	1,8	1,4	41,30	VH050/102	TP132MA6	22000
15,0	2,8	2014	3038	2,6	1,8	67,32	VH030/123	TP112MA4	30000
15,0	2,8	2046	2710	2,6	2,0	44,10	VH050/122	TP132MA6	30000
15,0	2,8	2014	4050	2,6	1,4	67,32	VH050/123	TP112MA4	30000
15,0	2,8	2046	6096	2,6	0,9	44,10	VH100/122	TP132MA6	30000
14,0	2,7	2085	3144	1,7	1,2	69,69	VH030/103	TP112MA4	22000
14,0	2,7	2126	2815	1,7	1,3	45,82	VH050/102	TP132MA6	22000
14,0	2,7	2085	4193	1,7	0,9	69,69	VH050/103	TP112MA4	22000
14,0	2,7	2079	2754	2,6	2,0	45,77	VH050/123	TP132MA6	30000
14,0	2,6	2205	3326	2,4	1,6	73,71	VH030/123	TP112MA4	30000
14,0	2,6	2205	4435	2,4	1,2	73,71	VH050/123	TP112MA4	30000

(a) Values relating to maximum speed

(b) Values relating to minimum speed

12.2 VH - PERFORMANCE

4,00 kW

n2 (a) [rpm]	n2 (b) [rpm]	M2 (a) [Nm]	M2 (b) [Nm]	fs (a)	fs (b)	i	Gear reducer	Motor	Fr2 [N]
13,0	2,4	2388	3601	1,5	1,1	79,82	VH030/103	TP112MA4	22000
12,0	2,4	2390	3165	1,5	1,1	51,52	VH050/102	TP132MA6	22000
12,0	2,3	2517	3797	1,4	1,0	84,16	VH030/103	TP112MA4	22000
12,0	2,3	2493	3760	2,1	1,5	83,34	VH030/123	TP112MA4	30000
12,0	2,3	2493	5013	2,1	1,1	83,34	VH050/123	TP112MA4	30000
12,0	2,2	2520	3337	1,5	1,2	55,47	VH050/103	TP132MA6	22000
12,0	2,2	2538	3361	2,1	1,6	55,87	VH050/123	TP132MA6	30000
11,0	2,1	2691	4059	1,9	1,3	89,97	VH030/123	TP112MA4	30000
11,0	2,1	2691	5413	1,9	1,0	89,97	VH050/123	TP112MA4	30000
11,0	2,0	2793	4213	1,3	0,9	93,36	VH030/103	TP112MA4	22000
10,0	1,9	3000	4525	1,7	1,2	100,29	VH030/123	TP112MA4	30000
10,0	1,9	3000	6033	1,7	0,9	100,29	VH050/123	TP112MA4	30000
9,5	1,8	3058	4050	1,8	1,4	67,32	VH050/123	TP132MA6	30000
9,2	1,8	3241	4888	1,6	1,1	108,34	VH030/123	TP112MA4	30000
9,2	1,8	3166	4193	1,2	0,9	69,69	VH050/103	TP132MA6	22000
8,7	1,7	3349	4435	1,6	1,2	73,71	VH050/123	TP132MA6	30000
8,4	1,6	3548	5352	1,5	1,0	118,62	VH030/123	TP112MA4	30000
7,8	1,5	3834	5783	1,4	0,9	128,18	VH030/123	TP112MA4	30000
7,7	1,5	3786	5013	1,4	1,1	83,34	VH050/123	TP132MA6	30000
7,1	1,4	4087	5413	1,3	1,0	89,97	VH050/123	TP132MA6	30000
6,4	1,2	4556	6033	1,2	0,9	100,29	VH050/123	TP132MA6	30000

4,80 kW

n2 (a) [rpm]	n2 (b) [rpm]	M2 (a) [Nm]	M2 (b) [Nm]	fs (a)	fs (b)	i	Gear reducer	Motor	Fr2 [N]
771,0	146,0	48	60	4,3	3,6	1,30	VH030/081	TP112MB4	3690
700,0	133,0	53	67	4,3	3,6	1,43	VH030/081	TP112MB4	3794
518,0	98,0	72	90	3,3	2,8	1,93	VH030/081	TP112MB4	4000
393,0	75,0	94	118	3,1	2,6	2,54	VH030/081	TP112MB4	4000
308,0	58,0	120	151	2,7	2,2	3,25	VH030/081	TP112MB4	4000
306,0	58,0	121	152	5,2	4,3	3,27	VH030/101	TP112MB4	5000
306,0	58,0	121	203	5,2	3,2	3,27	VH050/101	TP112MB4	5000
270,0	51,0	137	172	4,6	3,8	3,70	VH030/101	TP112MB4	5000
270,0	51,0	137	230	4,6	2,9	3,70	VH050/101	TP112MB4	5000
269,0	51,0	138	173	2,3	2,0	3,72	VH030/081	TP112MB4	4000
250,0	48,0	148	186	2,2	1,9	4,00	VH030/081	TP112MB4	4000
243,0	46,0	153	192	5,8	4,9	4,12	VH030/121	TP112MB4	6000
243,0	46,0	153	256	5,8	3,6	4,12	VH050/121	TP112MB4	6000
237,0	45,0	156	197	4,1	3,4	4,22	VH030/101	TP112MB4	5000
237,0	45,0	156	262	4,1	2,5	4,22	VH050/101	TP112MB4	5000
214,0	41,0	173	217	1,9	1,6	4,67	VH030/081	TP112MB4	4000
208,0	40,0	178	223	5,1	4,3	4,80	VH030/121	TP112MB4	6000
208,0	40,0	178	298	5,1	3,2	4,80	VH050/121	TP112MB4	6000
205,0	39,0	181	227	3,6	3,0	4,88	VH030/101	TP112MB4	5000
205,0	39,0	181	303	3,6	2,2	4,88	VH050/101	TP112MB4	5000
192,0	36,0	193	243	4,7	4,0	5,21	VH030/121	TP112MB4	6000
192,0	36,0	193	324	4,7	3,0	5,21	VH050/121	TP112MB4	6000
190,0	36,0	195	245	3,3	2,8	5,27	VH030/101	TP112MB4	5000
190,0	36,0	195	327	3,3	2,1	5,27	VH050/101	TP112MB4	5000
186,0	35,0	197	248	2,6	2,2	5,38	VH030/062	TP112MB4	12000
186,0	35,0	198	248	3,7	3,1	5,39	VH030/082	TP112MB4	15180
181,0	34,0	205	258	1,7	1,4	5,54	VH030/081	TP112MB4	4000
168,0	32,0	218	273	2,6	2,2	5,93	VH030/062	TP112MB4	12000
168,0	32,0	218	274	3,3	2,8	5,95	VH030/082	TP112MB4	15607
164,0	31,0	225	283	1,6	1,3	6,08	VH030/081	TP112MB4	4000

(a) Values relating to maximum speed

(b) Values relating to minimum speed

4,80 kW

n2 (a) [rpm]	n2 (b) [rpm]	M2 (a) [Nm]	M2 (b) [Nm]	fs (a)	fs (b)	i	Gear reducer	Motor	Fr2 [N]
160,0	30,0	231	290	2,9	2,4	6,23	VH030/101	TP112MB4	5000
160,0	30,0	232	291	4,0	3,4	6,25	VH030/121	TP112MB4	6000
160,0	30,0	231	387	2,9	1,8	6,23	VH050/101	TP112MB4	5000
160,0	30,0	232	388	4,0	2,5	6,25	VH050/121	TP112MB4	6000
135,0	26,0	271	341	2,1	1,8	7,39	VH030/062	TP112MB4	12000
135,0	26,0	271	341	3,1	2,6	7,39	VH030/082	TP112MB4	16573
133,0	25,0	278	349	1,3	1,1	7,50	VH030/081	TP112MB4	4000
133,0	25,0	280	351	2,4	2,0	7,55	VH030/101	TP112MB4	5000
133,0	25,0	280	468	2,4	1,5	7,55	VH050/101	TP112MB4	5000
130,0	25,0	285	359	3,6	3,1	7,70	VH030/121	TP112MB4	6000
130,0	25,0	285	478	3,6	2,3	7,70	VH050/121	TP112MB4	6000
125,0	24,0	294	370	2,8	2,4	8,02	VH030/082	TP112MB4	16939
119,0	23,0	311	391	2,2	1,8	8,40	VH030/101	TP112MB4	5000
119,0	23,0	311	521	2,2	1,4	8,40	VH050/101	TP112MB4	5000
118,0	23,0	313	393	1,2	1,0	8,44	VH030/081	TP112MB4	4000
118,0	22,0	312	392	2,0	1,7	8,50	VH030/062	TP112MB4	12000
113,0	21,0	324	408	2,9	2,4	8,85	VH030/082	TP112MB4	17385
107,0	20,0	344	432	1,8	1,5	9,39	VH030/062	TP112MB4	12000
91,0	17,0	404	507	2,8	2,4	11,01	VH030/082	TP112MB4	18000
86,0	16,0	428	539	1,6	1,3	11,69	VH030/062	TP112MB4	12000
79,0	15,0	464	584	1,6	1,3	12,67	VH030/062	TP112MB4	12000
74,0	14,0	495	622	2,9	2,5	13,50	VH030/082	TP112MB4	18000
68,0	13,0	541	680	1,3	1,1	14,75	VH030/062	TP112MB4	12000
67,0	13,0	546	686	2,9	2,4	14,90	VH030/082	TP112MB4	18000
62,0	12,0	590	741	5,6	4,7	16,09	VH030/102	TP112MB4	22000
62,0	12,0	590	989	5,6	3,5	16,09	VH050/102	TP112MB4	22000
61,0	12,0	597	750	1,4	1,2	16,29	VH030/062	TP112MB4	12000
60,0	11,0	609	766	2,6	2,1	16,62	VH030/082	TP112MB4	18000
57,0	11,0	648	814	1,3	1,1	17,67	VH030/062	TP112MB4	12000
56,0	11,0	654	823	5,1	4,3	17,85	VH030/102	TP112MB4	22000
56,0	11,0	654	1097	5,1	3,2	17,85	VH050/102	TP112MB4	22000
54,0	10,0	679	854	2,3	1,9	18,53	VH030/082	TP112MB4	18000
52,0	9,8	711	893	2,3	2,0	19,38	VH030/082	TP112MB4	18000
50,0	9,6	728	915	4,6	3,8	19,85	VH030/102	TP112MB4	22000
50,0	9,6	728	1219	4,6	2,9	19,85	VH050/102	TP112MB4	22000
49,0	9,4	744	935	1,2	1,0	20,28	VH030/062	TP112MB4	12000
47,0	8,9	784	986	2,1	1,8	21,39	VH030/082	TP112MB4	18000
47,0	8,9	786	988	4,2	3,5	21,44	VH030/102	TP112MB4	22000
47,0	8,9	786	1317	4,2	2,7	21,44	VH050/102	TP112MB4	22000
44,0	8,3	836	1051	2,0	1,7	22,80	VH030/082	TP112MB4	18000
42,0	7,9	879	1104	3,9	3,3	23,97	VH030/102	TP112MB4	22000
42,0	7,9	879	1473	3,9	2,5	23,97	VH050/102	TP112MB4	22000
41,0	7,8	897	1127	5,8	4,9	24,47	VH030/122	TP112MB4	30000
41,0	7,8	897	1503	5,8	3,6	24,47	VH050/122	TP112MB4	30000
39,0	7,3	949	1193	3,6	3,0	25,89	VH030/102	TP112MB4	22000
39,0	7,3	949	1591	3,6	2,3	25,89	VH050/102	TP112MB4	22000
38,0	7,1	975	1226	1,7	1,4	26,60	VH030/082	TP112MB4	18000
36,0	6,9	1008	1267	5,2	4,3	27,49	VH030/122	TP112MB4	30000
36,0	6,9	1008	1689	5,2	3,2	27,49	VH050/122	TP112MB4	30000
36,0	6,8	1022	1285	1,6	1,4	27,88	VH030/082	TP112MB4	18000
35,0	6,6	1053	1324	3,3	2,7	28,73	VH030/102	TP112MB4	22000
35,0	6,6	1053	1765	3,3	2,0	28,73	VH050/102	TP112MB4	22000
33,0	6,4	1095	1376	4,8	4,0	29,86	VH030/122	TP112MB4	30000
33,0	6,4	1095	1835	4,8	3,0	29,86	VH050/122	TP112MB4	30000
33,0	6,2	1126	1416	3,0	2,5	30,72	VH030/102	TP112MB4	22000
33,0	6,2	1126	1887	3,0	1,9	30,72	VH050/102	TP112MB4	22000
32,0	6,1	1142	1436	1,5	1,2	31,15	VH030/082	TP112MB4	18000
30,0	5,8	1210	1521	4,3	3,6	33,00	VH030/122	TP112MB4	30000

(a) Values relating to maximum speed

(b) Values relating to minimum speed

12.2 VH - PERFORMANCE

4,80 kW

n2 (a) [rpm]	n2 (b) [rpm]	M2 (a) [Nm]	M2 (b) [Nm]	fs (a)	fs (b)	i	Gear reducer	Motor	Fr2 [N]
30,0	5,8	1210	2028	4,3	2,7	33,00	VH050/122	TP112MB4	30000
29,0	5,6	1254	1576	2,7	2,2	34,20	VH030/102	TP112MB4	22000
29,0	5,6	1254	2101	2,7	1,7	34,20	VH050/102	TP112MB4	22000
29,0	5,5	1260	1584	1,3	1,1	34,38	VH030/082	TP112MB4	18000
28,0	5,3	1325	1665	3,9	3,3	36,13	VH030/122	TP112MB4	30000
28,0	5,3	1325	2220	3,9	2,5	36,13	VH050/122	TP112MB4	30000
26,0	4,9	1419	1783	1,2	1,0	38,70	VH030/082	TP112MB4	18000
26,0	4,9	1410	1772	2,1	1,7	38,45	VH030/102	TP112MB4	22000
26,0	4,9	1410	2363	2,1	1,3	38,45	VH050/102	TP112MB4	22000
24,0	4,6	1514	1903	2,3	1,9	41,30	VH030/102	TP112MB4	22000
24,0	4,6	1514	2537	2,3	1,4	41,30	VH050/102	TP112MB4	22000
23,0	4,3	1617	2032	3,2	2,7	44,10	VH030/122	TP112MB4	30000
23,0	4,3	1617	2710	3,2	2,0	44,10	VH050/122	TP112MB4	30000
22,0	4,2	1643	2065	3,2	2,7	45,77	VH030/123	TP112MB4	30000
22,0	4,2	1643	2754	3,2	2,0	45,77	VH050/123	TP112MB4	30000
22,0	4,1	1680	2111	2,0	1,7	45,82	VH030/102	TP112MB4	22000
22,0	4,1	1680	2815	2,0	1,3	45,82	VH050/102	TP112MB4	22000
19,0	3,7	1889	2374	1,8	1,5	51,52	VH030/102	TP112MB4	22000
19,0	3,7	1889	3165	1,8	1,1	51,52	VH050/102	TP112MB4	22000
18,0	3,4	1991	2503	1,8	1,5	55,47	VH030/103	TP112MB4	22000
18,0	3,4	2006	2521	2,6	2,2	55,87	VH030/123	TP112MB4	30000
18,0	3,4	1991	3337	1,8	1,1	55,47	VH050/103	TP112MB4	22000
18,0	3,4	2006	3361	2,6	1,6	55,87	VH050/123	TP112MB4	30000
15,0	2,8	2417	3038	2,2	1,8	67,32	VH030/123	TP112MB4	30000
15,0	2,8	2417	4050	2,2	1,4	67,32	VH050/123	TP112MB4	30000
14,0	2,7	2502	3144	1,5	1,2	69,69	VH030/103	TP112MB4	22000
14,0	2,7	2502	4193	1,5	0,9	69,69	VH050/103	TP112MB4	22000
14,0	2,6	2646	3326	2,0	1,6	73,71	VH030/123	TP112MB4	30000
14,0	2,6	2646	4435	2,0	1,2	73,71	VH050/123	TP112MB4	30000
13,0	2,4	2865	3601	1,3	1,1	79,82	VH030/103	TP112MB4	22000
12,0	2,3	3021	3797	1,2	1,0	84,16	VH030/103	TP112MB4	22000
12,0	2,3	2991	3760	1,7	1,5	83,34	VH030/123	TP112MB4	30000
12,0	2,3	2991	5013	1,7	1,1	83,34	VH050/123	TP112MB4	30000
11,0	2,1	3230	4059	1,6	1,3	89,97	VH030/123	TP112MB4	30000
11,0	2,1	3230	5413	1,6	1,0	89,97	VH050/123	TP112MB4	30000
11,0	2,0	3351	4213	1,1	0,9	93,36	VH030/103	TP112MB4	22000
10,0	1,9	3600	4525	1,4	1,2	100,29	VH030/123	TP112MB4	30000
10,0	1,9	3600	6033	1,4	0,9	100,29	VH050/123	TP112MB4	30000
9,2	1,8	3889	4888	1,3	1,1	108,34	VH030/123	TP112MB4	30000
8,4	1,6	4258	5352	1,2	1,0	118,62	VH030/123	TP112MB4	30000
7,8	1,5	4601	5783	1,1	0,9	128,18	VH030/123	TP112MB4	30000

5,50 kW

n2 (a) [rpm]	n2 (b) [rpm]	M2 (a) [Nm]	M2 (b) [Nm]	fs (a)	fs (b)	i	Gear reducer	Motor	Fr2 [N]
497,0	94,0	83	181	5,1	2,4	1,29	VH100/101	TP132MB6	5000
492,0	93,0	86	126	5,4	3,9	2,03	VH050/101	TP132S4	5000
492,0	93,0	86	284	5,4	1,7	2,03	VH100/101	TP132S4	5000
456,0	87,0	91	197	5,3	2,5	1,41	VH100/101	TP132MB6	5000
403,0	77,0	105	154	5,4	3,9	2,48	VH050/101	TP132S4	5000
403,0	77,0	105	347	5,4	1,7	2,48	VH100/101	TP132S4	5000
316,0	60,0	131	284	3,7	1,7	2,03	VH100/101	TP132MB6	5000
306,0	58,0	139	203	4,5	3,2	3,27	VH050/101	TP132S4	5000
306,0	58,0	139	457	4,5	1,4	3,27	VH100/101	TP132S4	5000
279,0	53,0	152	222	5,8	4,2	3,58	VH050/121	TP132S4	6000

(a) Values relating to maximum speed

(b) Values relating to minimum speed

12.2 VH - PERFORMANCE

5,50 kW

n2 (a) [rpm]	n2 (b) [rpm]	M2 (a) [Nm]	M2 (b) [Nm]	fs (a)	fs (b)	i	Gear reducer	Motor	Fr2 [N]
279,0	53,0	152	500	5,8	1,9	3,58	VH100/121	TP132S4	6000
270,0	51,0	157	230	4,0	2,9	3,70	VH050/101	TP132S4	5000
270,0	51,0	157	517	4,0	1,3	3,70	VH100/101	TP132S4	5000
259,0	49,0	160	347	3,7	1,7	2,48	VH100/101	TP132MB6	5000
259,0	49,0	160	346	5,4	2,5	2,48	VH100/121	TP132MB6	6000
243,0	46,0	175	256	5,1	3,6	4,12	VH050/121	TP132S4	6000
243,0	46,0	175	575	5,1	1,6	4,12	VH100/121	TP132S4	6000
237,0	45,0	179	262	3,5	2,5	4,22	VH050/101	TP132S4	5000
237,0	45,0	179	590	3,5	1,1	4,22	VH100/101	TP132S4	5000
218,0	41,0	190	413	4,5	2,1	2,95	VH100/121	TP132MB6	6000
208,0	40,0	204	298	4,4	3,2	4,80	VH050/121	TP132S4	6000
208,0	40,0	204	670	4,4	1,4	4,80	VH100/121	TP132S4	6000
205,0	39,0	207	303	3,1	2,2	4,88	VH050/101	TP132S4	5000
205,0	39,0	207	681	3,1	1,0	4,88	VH100/101	TP132S4	5000
205,0	39,0	203	439	4,3	2,1	3,14	VH100/121	TP132MB6	6000
196,0	37,0	211	457	3,0	1,4	3,27	VH100/101	TP132MB6	5000
192,0	36,0	221	324	4,1	3,0	5,21	VH050/121	TP132S4	6000
192,0	36,0	221	728	4,1	1,3	5,21	VH100/121	TP132S4	6000
190,0	36,0	224	327	2,9	2,1	5,27	VH050/101	TP132S4	5000
190,0	36,0	224	736	2,9	0,9	5,27	VH100/101	TP132S4	5000
180,0	34,0	231	500	3,9	1,9	3,58	VH100/121	TP132MB6	6000
174,0	33,0	238	517	2,7	1,3	3,70	VH100/101	TP132MB6	5000
160,0	30,0	264	387	2,5	1,8	6,23	VH050/101	TP132S4	5000
160,0	30,0	265	388	3,5	2,5	6,25	VH050/121	TP132S4	6000
160,0	30,0	265	873	3,5	1,1	6,25	VH100/121	TP132S4	6000
156,0	30,0	265	575	3,4	1,6	4,12	VH100/121	TP132MB6	6000
152,0	29,0	272	590	2,4	1,1	4,22	VH100/101	TP132MB6	5000
134,0	25,0	309	670	3,0	1,4	4,80	VH100/121	TP132MB6	6000
133,0	25,0	320	468	2,1	1,5	7,55	VH050/101	TP132S4	5000
132,0	25,0	314	681	2,1	1,0	4,88	VH100/101	TP132MB6	5000
130,0	25,0	327	478	3,2	2,3	7,70	VH050/121	TP132S4	6000
130,0	25,0	327	1076	3,2	1,0	7,70	VH100/121	TP132S4	6000
123,0	23,0	336	728	2,8	1,3	5,21	VH100/121	TP132MB6	6000
122,0	23,0	339	736	2,0	0,9	5,27	VH100/101	TP132MB6	5000
122,0	23,0	336	728	5,7	2,7	5,26	VH100/102	TP132MB6	22000
119,0	23,0	357	521	1,9	1,4	8,40	VH050/101	TP132S4	5000
103,0	20,0	403	873	2,4	1,1	6,25	VH100/121	TP132MB6	6000
101,0	19,0	405	879	5,3	2,5	6,36	VH100/102	TP132MB6	22000
91,0	17,0	450	975	5,5	2,6	7,05	VH100/102	TP132MB6	22000
83,0	16,0	496	1076	2,2	1,0	7,70	VH100/121	TP132MB6	6000
78,0	15,0	528	1144	5,1	2,4	8,27	VH100/102	TP132MB6	22000
75,0	14,0	560	819	5,8	4,1	13,32	VH050/102	TP132S4	22000
75,0	14,0	560	1842	5,8	1,8	13,32	VH100/102	TP132S4	22000
64,0	12,0	637	1381	4,7	2,2	9,99	VH100/102	TP132MB6	22000
62,0	12,0	676	989	4,9	3,5	16,09	VH050/102	TP132S4	22000
62,0	12,0	676	2224	4,9	1,6	16,09	VH100/102	TP132S4	22000
58,0	11,0	707	1532	4,5	2,1	11,09	VH100/102	TP132MB6	22000
56,0	11,0	750	1097	4,4	3,2	17,85	VH050/102	TP132S4	22000
56,0	11,0	750	2468	4,4	1,4	17,85	VH100/102	TP132S4	22000
51,0	9,6	808	1750	5,8	2,8	12,66	VH100/122	TP132MB6	30000
50,0	9,6	834	1219	4,0	2,9	19,85	VH050/102	TP132S4	22000
50,0	9,6	834	2744	4,0	1,3	19,85	VH100/102	TP132S4	22000
48,0	9,2	850	1842	3,9	1,8	13,32	VH100/102	TP132MB6	22000
47,0	8,9	901	1317	3,7	2,7	21,44	VH050/102	TP132S4	22000
47,0	8,9	901	2964	3,7	1,2	21,44	VH100/102	TP132S4	22000
46,0	8,8	884	1917	5,6	2,6	13,86	VH100/122	TP132MB6	30000
44,0	8,4	946	1384	5,5	4,0	22,52	VH050/122	TP132S4	30000
44,0	8,4	946	3114	5,5	1,8	22,52	VH100/122	TP132S4	30000

(a) Values relating to maximum speed

(b) Values relating to minimum speed

12.2 VH - PERFORMANCE

5,50 kW

n2 (a) [rpm]	n2 (b) [rpm]	M2 (a) [Nm]	M2 (b) [Nm]	fs (a)	fs (b)	i	Gear reducer	Motor	Fr2 [N]
42,0	7,9	1007	1473	3,4	2,5	23,97	VH050/102	TP132S4	22000
42,0	7,9	1007	3313	3,4	1,1	23,97	VH100/102	TP132S4	22000
41,0	7,8	1028	1503	5,1	3,6	24,47	VH050/122	TP132S4	30000
41,0	7,8	1028	3382	5,1	1,6	24,47	VH100/122	TP132S4	30000
40,0	7,6	1026	2224	3,3	1,6	16,09	VH100/102	TP132MB6	22000
39,0	7,3	1088	1591	3,2	2,3	25,89	VH050/102	TP132S4	22000
39,0	7,3	1088	3580	3,2	1,0	25,89	VH100/102	TP132S4	22000
38,0	7,2	1079	2339	4,8	2,3	16,92	VH100/122	TP132MB6	30000
36,0	6,9	1155	1689	4,5	3,2	27,49	VH050/122	TP132S4	30000
36,0	6,9	1155	3800	4,5	1,4	27,49	VH100/122	TP132S4	30000
36,0	6,8	1139	2468	3,0	1,4	17,85	VH100/102	TP132MB6	22000
35,0	6,6	1207	1765	2,8	2,0	28,73	VH050/102	TP132S4	22000
35,0	6,6	1207	3971	2,8	0,9	28,73	VH100/102	TP132S4	22000
33,0	6,4	1254	1835	4,1	3,0	29,86	VH050/122	TP132S4	30000
33,0	6,4	1254	4128	4,1	1,3	29,86	VH100/122	TP132S4	30000
33,0	6,3	1233	2671	4,3	2,1	19,32	VH100/122	TP132MB6	30000
33,0	6,2	1290	1887	2,6	1,9	30,72	VH050/102	TP132S4	22000
32,0	6,2	1266	2744	2,7	1,3	19,85	VH100/102	TP132MB6	22000
31,0	5,9	1312	2844	4,1	1,9	20,57	VH100/122	TP132MB6	30000
30,0	5,8	1386	2028	3,8	2,7	33,00	VH050/122	TP132S4	30000
30,0	5,8	1386	4562	3,8	1,2	33,00	VH100/122	TP132S4	30000
30,0	5,7	1368	2964	2,5	1,2	21,44	VH100/102	TP132MB6	22000
29,0	5,6	1437	2101	2,3	1,7	34,20	VH050/102	TP132S4	22000
29,0	5,4	1437	3114	3,7	1,8	22,52	VH100/122	TP132MB6	30000
28,0	5,3	1518	2220	3,4	2,5	36,13	VH050/122	TP132S4	30000
28,0	5,3	1518	4995	3,4	1,1	36,13	VH100/122	TP132S4	30000
27,0	5,1	1529	3313	2,3	1,1	23,97	VH100/102	TP132MB6	22000
26,0	5,0	1561	3382	3,4	1,6	24,47	VH100/122	TP132MB6	30000
26,0	4,9	1615	2363	1,8	1,3	38,45	VH050/102	TP132S4	22000
25,0	4,7	1652	3580	2,1	1,0	25,89	VH100/102	TP132MB6	22000
24,0	4,6	1735	2537	2,0	1,4	41,30	VH050/102	TP132S4	22000
23,0	4,4	1754	3800	3,1	1,4	27,49	VH100/122	TP132MB6	30000
23,0	4,3	1853	2710	2,8	2,0	44,10	VH050/122	TP132S4	30000
22,0	4,3	1833	3971	1,9	0,9	28,73	VH100/102	TP132MB6	22000
22,0	4,2	1883	2754	2,8	2,0	45,77	VH050/123	TP132S4	30000
22,0	4,1	1925	2815	1,8	1,3	45,82	VH050/102	TP132S4	22000
22,0	4,1	1905	4128	2,8	1,3	29,86	VH100/122	TP132MB6	30000
19,0	3,7	2164	3165	1,6	1,1	51,52	VH050/102	TP132S4	22000
19,0	3,7	2105	4562	2,5	1,2	33,00	VH100/122	TP132MB6	30000
18,0	3,4	2282	3337	1,6	1,1	55,47	VH050/103	TP132S4	22000
18,0	3,4	2298	3361	2,3	1,6	55,87	VH050/123	TP132S4	30000
18,0	3,4	2305	4995	2,3	1,1	36,13	VH100/122	TP132MB6	30000
15,0	2,8	2769	4050	1,9	1,4	67,32	VH050/123	TP132S4	30000
15,0	2,8	2813	6096	1,9	0,9	44,10	VH100/122	TP132MB6	30000
14,0	2,7	2866	4193	1,3	0,9	69,69	VH050/103	TP132S4	22000
14,0	2,6	3032	4435	1,7	1,2	73,71	VH050/123	TP132S4	30000
12,0	2,3	3428	5013	1,5	1,1	83,34	VH050/123	TP132S4	30000
11,0	2,1	3701	5413	1,4	1,0	89,97	VH050/123	TP132S4	30000
10,0	1,9	4125	6033	1,3	0,9	100,29	VH050/123	TP132S4	30000

7,50 kW

n2 (a) [rpm]	n2 (b) [rpm]	M2 (a) [Nm]	M2 (b) [Nm]	fs (a)	fs (b)	i	Gear reducer	Motor	Fr2 [N]
774,0	147,0	75	80	5,6	5,5	1,29	VH050/101	TP132MA4	4639
774,0	147,0	75	181	5,6	2,4	1,29	VH100/101	TP132MA4	5000

(a) Values relating to maximum speed

(b) Values relating to minimum speed

7,50 kW

n2 (a) [rpm]	n2 (b) [rpm]	M2 (a) [Nm]	M2 (b) [Nm]	fs (a)	fs (b)	i	Gear reducer	Motor	Fr2 [N]
709,0	135,0	82	88	5,7	5,6	1,41	VH050/101	TP132MA4	4763
709,0	135,0	82	197	5,7	2,5	1,41	VH100/101	TP132MA4	5000
497,0	94,0	114	181	3,8	2,4	1,29	VH100/101	TP160M6	5000
492,0	93,0	118	126	4,0	3,9	2,03	VH050/101	TP132MA4	5000
492,0	93,0	118	284	4,0	1,7	2,03	VH100/101	TP132MA4	5000
456,0	87,0	124	197	3,9	2,5	1,41	VH100/101	TP160M6	5000
403,0	77,0	144	154	4,0	3,9	2,48	VH050/101	TP132MA4	5000
403,0	77,0	144	154	5,8	5,7	2,48	VH050/121	TP132MA4	6000
403,0	77,0	144	347	4,0	1,7	2,48	VH100/101	TP132MA4	5000
403,0	77,0	144	346	5,8	2,5	2,48	VH100/121	TP132MA4	6000
356,0	68,0	159	252	4,7	3,0	1,81	VH100/121	TP160M6	6000
338,0	64,0	171	183	4,9	4,8	2,95	VH050/121	TP132MA4	6000
338,0	64,0	171	413	4,9	2,1	2,95	VH100/121	TP132MA4	6000
321,0	61,0	176	279	4,6	2,9	2,00	VH100/121	TP160M6	6000
318,0	60,0	182	195	4,7	4,6	3,14	VH050/121	TP132MA4	6000
318,0	60,0	182	439	4,7	2,0	3,14	VH100/121	TP132MA4	6000
316,0	60,0	179	284	2,7	1,7	2,03	VH100/101	TP160M6	5000
306,0	58,0	189	203	3,3	3,2	3,27	VH050/101	TP132MA4	5000
306,0	58,0	189	457	3,3	1,4	3,27	VH100/101	TP132MA4	5000
279,0	53,0	207	222	4,3	4,2	3,58	VH050/121	TP132MA4	6000
279,0	53,0	207	500	4,3	1,9	3,58	VH100/121	TP132MA4	6000
270,0	51,0	214	230	2,9	2,9	3,70	VH050/101	TP132MA4	5000
270,0	51,0	214	517	2,9	1,3	3,70	VH100/101	TP132MA4	5000
259,0	49,0	218	347	2,7	1,7	2,48	VH100/101	TP160M6	5000
259,0	49,0	218	346	3,9	2,5	2,48	VH100/121	TP160M6	6000
243,0	46,0	238	256	3,7	3,6	4,12	VH050/121	TP132MA4	6000
243,0	46,0	238	575	3,7	1,6	4,12	VH100/121	TP132MA4	6000
237,0	45,0	244	262	2,6	2,5	4,22	VH050/101	TP132MA4	5000
237,0	45,0	244	590	2,6	1,1	4,22	VH100/101	TP132MA4	5000
218,0	41,0	260	413	3,3	2,1	2,95	VH100/121	TP160M6	6000
208,0	40,0	278	298	3,3	3,2	4,80	VH050/121	TP132MA4	6000
208,0	40,0	278	670	3,3	1,4	4,80	VH100/121	TP132MA4	6000
205,0	39,0	282	303	2,3	2,2	4,88	VH050/101	TP132MA4	5000
205,0	39,0	282	681	2,3	1,0	4,88	VH100/101	TP132MA4	5000
205,0	39,0	276	439	3,2	2,1	3,14	VH100/121	TP160M6	6000
196,0	37,0	288	457	2,2	1,4	3,27	VH100/101	TP160M6	5000
192,0	36,0	302	324	3,0	3,0	5,21	VH050/121	TP132MA4	6000
192,0	36,0	302	728	3,0	1,3	5,21	VH100/121	TP132MA4	6000
190,0	36,0	305	327	2,1	2,1	5,27	VH050/101	TP132MA4	5000
190,0	36,0	305	736	2,1	0,9	5,27	VH100/101	TP132MA4	5000
180,0	34,0	315	500	2,9	1,9	3,58	VH100/121	TP160M6	6000
174,0	33,0	325	517	2,0	1,3	3,70	VH100/101	TP160M6	5000
160,0	30,0	361	387	1,8	1,8	6,23	VH050/101	TP132MA4	5000
160,0	30,0	362	388	2,6	2,5	6,25	VH050/121	TP132MA4	6000
160,0	30,0	362	873	2,6	1,1	6,25	VH100/121	TP132MA4	6000
157,0	30,0	364	390	5,7	5,6	6,36	VH050/102	TP132MA4	21588
157,0	30,0	364	879	5,7	2,5	6,36	VH100/102	TP132MA4	22000
156,0	30,0	362	575	2,5	1,6	4,12	VH100/121	TP160M6	6000
152,0	29,0	371	590	1,8	1,1	4,22	VH100/101	TP160M6	5000
142,0	27,0	404	433	5,9	5,8	7,05	VH050/102	TP132MA4	22000
142,0	27,0	404	975	5,9	2,6	7,05	VH100/102	TP132MA4	22000
134,0	25,0	422	670	2,2	1,4	4,80	VH100/121	TP160M6	6000
133,0	25,0	437	468	1,5	1,5	7,55	VH050/101	TP132MA4	5000
132,0	25,0	428	681	1,6	1,0	4,88	VH100/101	TP160M6	5000
130,0	25,0	446	478	2,3	2,3	7,70	VH050/121	TP132MA4	6000
130,0	25,0	446	1076	2,3	1,0	7,70	VH100/121	TP132MA4	6000
123,0	23,0	458	728	2,1	1,3	5,21	VH100/121	TP160M6	6000
122,0	23,0	463	736	1,4	0,9	5,27	VH100/101	TP160M6	5000

(a) Values relating to maximum speed

(b) Values relating to minimum speed

12.2 VH - PERFORMANCE

7,50 kW

n2 (a) [rpm]	n2 (b) [rpm]	M2 (a) [Nm]	M2 (b) [Nm]	fs (a)	fs (b)	i	Gear reducer	Motor	Fr2 [N]
122,0	23,0	458	728	4,2	2,7	5,26	VH100/102	TP160M6	22000
121,0	23,0	474	508	5,5	5,4	8,27	VH050/102	TP132MA4	22000
121,0	23,0	474	1144	5,5	2,4	8,27	VH100/102	TP132MA4	22000
119,0	23,0	486	521	1,4	1,4	8,40	VH050/101	TP132MA4	5000
103,0	20,0	549	873	1,8	1,1	6,25	VH100/121	TP160M6	6000
101,0	19,0	553	879	3,9	2,5	6,36	VH100/102	TP160M6	22000
100,0	19,0	572	614	5,1	5,0	9,99	VH050/102	TP132MA4	22000
100,0	19,0	572	1381	5,1	2,2	9,99	VH100/102	TP132MA4	22000
91,0	17,0	613	975	4,0	2,6	7,05	VH100/102	TP160M6	22000
90,0	17,0	635	681	4,9	4,8	11,09	VH050/102	TP132MA4	22000
90,0	17,0	635	1532	4,9	2,1	11,09	VH100/102	TP132MA4	22000
83,0	16,0	677	1076	1,6	1,0	7,70	VH100/121	TP160M6	6000
83,0	16,0	673	1070	5,9	3,8	7,74	VH100/122	TP160M6	30000
78,0	15,0	720	1144	3,7	2,4	8,27	VH100/102	TP160M6	22000
76,0	14,0	737	1172	5,5	3,6	8,48	VH100/122	TP160M6	30000
75,0	14,0	763	819	4,2	4,1	13,32	VH050/102	TP132MA4	22000
75,0	14,0	763	1842	4,2	1,8	13,32	VH100/102	TP132MA4	22000
64,0	12,0	869	1381	3,5	2,2	9,99	VH100/102	TP160M6	22000
62,0	12,0	922	989	3,6	3,5	16,09	VH050/102	TP132MA4	22000
62,0	12,0	922	2224	3,6	1,6	16,09	VH100/102	TP132MA4	22000
62,0	12,0	900	1430	4,8	3,1	10,35	VH100/122	TP160M6	30000
59,0	11,0	969	1040	5,2	5,1	16,92	VH050/122	TP132MA4	30000
59,0	11,0	969	2339	5,2	2,2	16,92	VH100/122	TP132MA4	30000
58,0	11,0	964	1532	3,3	2,1	11,09	VH100/102	TP160M6	22000
56,0	11,0	1023	1097	3,3	3,2	17,85	VH050/102	TP132MA4	22000
56,0	11,0	1023	2468	3,3	1,4	17,85	VH100/102	TP132MA4	22000
52,0	9,8	1107	1187	4,7	4,6	19,32	VH050/122	TP132MA4	30000
52,0	9,8	1107	2671	4,7	2,1	19,32	VH100/122	TP132MA4	30000
51,0	9,6	1101	1750	4,3	2,8	12,66	VH100/122	TP160M6	30000
50,0	9,6	1137	1219	2,9	2,9	19,85	VH050/102	TP132MA4	22000
50,0	9,6	1137	2744	2,9	1,3	19,85	VH100/102	TP132MA4	22000
49,0	9,2	1178	1264	4,4	4,3	20,57	VH050/122	TP132MA4	30000
49,0	9,2	1178	2844	4,4	1,9	20,57	VH100/122	TP132MA4	30000
48,0	9,2	1159	1842	2,9	1,8	13,32	VH100/102	TP160M6	22000
47,0	8,9	1228	1317	2,7	2,7	21,44	VH050/102	TP132MA4	22000
47,0	8,9	1228	2964	2,7	1,2	21,44	VH100/102	TP132MA4	22000
46,0	8,8	1206	1917	4,1	2,6	13,86	VH100/122	TP160M6	30000
44,0	8,4	1290	1384	4,0	4,0	22,52	VH050/122	TP132MA4	30000
44,0	8,4	1290	3114	4,0	1,8	22,52	VH100/122	TP132MA4	30000
42,0	7,9	1373	1473	2,5	2,5	23,97	VH050/102	TP132MA4	22000
42,0	7,9	1373	3313	2,5	1,1	23,97	VH100/102	TP132MA4	22000
41,0	7,8	1402	1503	3,7	3,6	24,47	VH050/122	TP132MA4	30000
41,0	7,8	1402	3382	3,7	1,6	24,47	VH100/122	TP132MA4	30000
40,0	7,6	1400	2224	2,5	1,6	16,09	VH100/102	TP160M6	22000
39,0	7,3	1483	1591	2,3	2,3	25,89	VH050/102	TP132MA4	22000
39,0	7,3	1483	3580	2,3	1,0	25,89	VH100/102	TP132MA4	22000
38,0	7,2	1472	2339	3,5	2,3	16,92	VH100/122	TP160M6	30000
36,0	6,9	1575	1689	3,3	3,2	27,49	VH050/122	TP132MA4	30000
36,0	6,9	1575	3800	3,3	1,4	27,49	VH100/122	TP132MA4	30000
36,0	6,8	1553	2468	2,2	1,4	17,85	VH100/102	TP160M6	22000
35,0	6,6	1646	1765	2,1	2,0	28,73	VH050/102	TP132MA4	22000
35,0	6,6	1646	3971	2,1	0,9	28,73	VH100/102	TP132MA4	22000
33,0	6,4	1711	1835	3,0	3,0	29,86	VH050/122	TP132MA4	30000
33,0	6,4	1711	4128	3,0	1,3	29,86	VH100/122	TP132MA4	30000
33,0	6,3	1681	2671	3,2	2,1	19,32	VH100/122	TP160M6	30000
33,0	6,2	1760	1887	1,9	1,9	30,72	VH050/102	TP132MA4	22000
32,0	6,2	1727	2744	2,0	1,3	19,85	VH100/102	TP160M6	22000
31,0	5,9	1789	2844	3,0	1,9	20,57	VH100/122	TP160M6	30000

(a) Values relating to maximum speed

(b) Values relating to minimum speed

12.2 VH - PERFORMANCE

7,50 kW

n2 (a) [rpm]	n2 (b) [rpm]	M2 (a) [Nm]	M2 (b) [Nm]	fs (a)	fs (b)	i	Gear reducer	Motor	Fr2 [N]
30,0	5,8	1890	2028	2,8	2,7	33,00	VH050/122	TP132MA4	30000
30,0	5,8	1890	4562	2,8	1,2	33,00	VH100/122	TP132MA4	30000
30,0	5,7	1865	2964	1,8	1,2	21,44	VH100/102	TP160M6	22000
29,0	5,6	1959	2101	1,7	1,7	34,20	VH050/102	TP132MA4	22000
29,0	5,4	1959	3114	2,7	1,8	22,52	VH100/122	TP160M6	30000
28,0	5,3	2070	2220	2,5	2,5	36,13	VH050/122	TP132MA4	30000
28,0	5,3	2070	4995	2,5	1,1	36,13	VH100/122	TP132MA4	30000
27,0	5,1	2085	3313	1,7	1,1	23,97	VH100/102	TP160M6	22000
26,0	5,0	2128	3382	2,5	1,6	24,47	VH100/122	TP160M6	30000
26,0	4,9	2203	2363	1,3	1,3	38,45	VH050/102	TP132MA4	22000
25,0	4,7	2253	3580	1,6	1,0	25,89	VH100/102	TP160M6	22000
24,0	4,6	2366	2537	1,5	1,4	41,30	VH050/102	TP132MA4	22000
23,0	4,4	2391	3800	2,2	1,4	27,49	VH100/122	TP160M6	30000
23,0	4,3	2526	2710	2,1	2,0	44,10	VH050/122	TP132MA4	30000
22,0	4,3	2499	3971	1,4	0,9	28,73	VH100/102	TP160M6	22000
22,0	4,2	2567	2754	2,0	2,0	45,77	VH050/123	TP132MA4	30000
22,0	4,1	2625	2815	1,3	1,3	45,82	VH050/102	TP132MA4	22000
22,0	4,1	2598	4128	2,1	1,3	29,86	VH100/122	TP160M6	30000
19,0	3,7	2951	3165	1,2	1,1	51,52	VH050/102	TP132MA4	22000
19,0	3,7	2871	4562	1,9	1,2	33,00	VH100/122	TP160M6	30000
18,0	3,4	3111	3337	1,2	1,1	55,47	VH050/103	TP132MA4	22000
18,0	3,4	3134	3361	1,7	1,6	55,87	VH050/123	TP132MA4	30000
18,0	3,4	3143	4995	1,7	1,1	36,13	VH100/122	TP160M6	30000
15,0	2,8	3776	4050	1,4	1,4	67,32	VH050/123	TP132MA4	30000
15,0	2,8	3836	6096	1,4	0,9	44,10	VH100/122	TP160M6	30000
14,0	2,7	3909	4193	0,9	0,9	69,69	VH050/103	TP132MA4	22000
14,0	2,6	4134	4435	1,3	1,2	73,71	VH050/123	TP132MA4	30000
12,0	2,3	4674	5013	1,1	1,1	83,34	VH050/123	TP132MA4	30000
11,0	2,1	5046	5413	1,0	1,0	89,97	VH050/123	TP132MA4	30000
10,0	1,9	5625	6033	0,9	0,9	100,29	VH050/123	TP132MA4	30000

9,20 kW

n2 (a) [rpm]	n2 (b) [rpm]	M2 (a) [Nm]	M2 (b) [Nm]	fs (a)	fs (b)	i	Gear reducer	Motor	Fr2 [N]
774,0	147,0	92	181	4,5	2,4	1,29	VH100/101	TP132MB4	5000
709,0	135,0	100	197	4,7	2,5	1,41	VH100/101	TP132MB4	5000
554,0	105,0	128	252	5,7	3,0	1,81	VH100/121	TP132MB4	6000
500,0	95,0	142	279	5,5	2,9	2,00	VH100/121	TP132MB4	6000
492,0	93,0	144	284	3,2	1,7	2,03	VH100/101	TP132MB4	5000
403,0	77,0	176	347	3,2	1,7	2,48	VH100/101	TP132MB4	5000
403,0	77,0	176	346	4,7	2,5	2,48	VH100/121	TP132MB4	6000
338,0	64,0	210	413	4,0	2,1	2,95	VH100/121	TP132MB4	6000
318,0	60,0	223	439	3,8	2,0	3,14	VH100/121	TP132MB4	6000
306,0	58,0	232	457	2,7	1,4	3,27	VH100/101	TP132MB4	5000
279,0	53,0	254	500	3,5	1,9	3,58	VH100/121	TP132MB4	6000
270,0	51,0	263	517	2,4	1,3	3,70	VH100/101	TP132MB4	5000
243,0	46,0	292	575	3,0	1,6	4,12	VH100/121	TP132MB4	6000
237,0	45,0	300	590	2,1	1,1	4,22	VH100/101	TP132MB4	5000
208,0	40,0	341	670	2,7	1,4	4,80	VH100/121	TP132MB4	6000
205,0	39,0	346	681	1,9	1,0	4,88	VH100/101	TP132MB4	5000
192,0	36,0	370	728	2,5	1,3	5,21	VH100/121	TP132MB4	6000
190,0	36,0	374	736	1,7	0,9	5,27	VH100/101	TP132MB4	5000
190,0	36,0	370	728	5,1	2,7	5,26	VH100/102	TP132MB4	22000
160,0	30,0	444	873	2,1	1,1	6,25	VH100/121	TP132MB4	6000
157,0	30,0	447	879	4,7	2,5	6,36	VH100/102	TP132MB4	22000

(a) Values relating to maximum speed

(b) Values relating to minimum speed

12.2 VH - PERFORMANCE

9,20 kW

n2 (a) [rpm]	n2 (b) [rpm]	M2 (a) [Nm]	M2 (b) [Nm]	fs (a)	fs (b)	i	Gear reducer	Motor	Fr2 [N]
142,0	27,0	495	975	4,8	2,6	7,05	VH100/102	TP132MB4	22000
130,0	25,0	547	1076	1,9	1,0	7,70	VH100/121	TP132MB4	6000
121,0	23,0	581	1144	4,5	2,4	8,27	VH100/102	TP132MB4	22000
100,0	19,0	702	1381	4,2	2,2	9,99	VH100/102	TP132MB4	22000
97,0	18,0	727	1430	5,7	3,1	10,35	VH100/122	TP132MB4	30000
90,0	17,0	779	1532	4,0	2,1	11,09	VH100/102	TP132MB4	22000
79,0	15,0	890	1750	5,1	2,8	12,66	VH100/122	TP132MB4	30000
75,0	14,0	936	1842	3,4	1,8	13,32	VH100/102	TP132MB4	22000
72,0	14,0	974	1917	4,9	2,6	13,86	VH100/122	TP132MB4	30000
62,0	12,0	1131	2224	2,9	1,6	16,09	VH100/102	TP132MB4	22000
59,0	11,0	1189	2339	4,2	2,2	16,92	VH100/122	TP132MB4	30000
56,0	11,0	1254	2468	2,7	1,4	17,85	VH100/102	TP132MB4	22000
52,0	9,8	1358	2671	3,8	2,1	19,32	VH100/122	TP132MB4	30000
50,0	9,6	1395	2744	2,4	1,3	19,85	VH100/102	TP132MB4	22000
49,0	9,2	1445	2844	3,6	1,9	20,57	VH100/122	TP132MB4	30000
47,0	8,9	1507	2964	2,2	1,2	21,44	VH100/102	TP132MB4	22000
44,0	8,4	1583	3114	3,3	1,8	22,52	VH100/122	TP132MB4	30000
42,0	7,9	1684	3313	2,0	1,1	23,97	VH100/102	TP132MB4	22000
41,0	7,8	1719	3382	3,0	1,6	24,47	VH100/122	TP132MB4	30000
39,0	7,3	1820	3580	1,9	1,0	25,89	VH100/102	TP132MB4	22000
36,0	6,9	1932	3800	2,7	1,4	27,49	VH100/122	TP132MB4	30000
35,0	6,6	2019	3971	1,7	0,9	28,73	VH100/102	TP132MB4	22000
33,0	6,4	2098	4128	2,5	1,3	29,86	VH100/122	TP132MB4	30000
30,0	5,8	2319	4562	2,2	1,2	33,00	VH100/122	TP132MB4	30000
28,0	5,3	2539	4995	2,1	1,1	36,13	VH100/122	TP132MB4	30000

11,00 kW

n2 (a) [rpm]	n2 (b) [rpm]	M2 (a) [Nm]	M2 (b) [Nm]	fs (a)	fs (b)	i	Gear reducer	Motor	Fr2 [N]
774,0	147,0	110	181	3,8	2,4	1,29	VH100/101	TP132MC4/160S4	4825
709,0	135,0	120	197	3,9	2,5	1,41	VH100/101	TP132MC4/160S4	4938
554,0	105,0	153	252	4,8	3,0	1,81	VH100/121	TP132MC4/160S4	6000
522,0	99,0	159	172	4,4	4,1	1,23	VH100/121	TP160L6	6000
500,0	95,0	170	279	4,6	2,9	2,00	VH100/121	TP132MC4/160S4	6000
497,0	94,0	167	181	2,6	2,4	1,29	VH100/101	TP160L6	5000
492,0	93,0	173	284	2,7	1,7	2,03	VH100/101	TP132MC4/160S4	5000
456,0	87,0	182	197	2,7	2,5	1,41	VH100/101	TP160L6	5000
454,0	86,0	183	198	4,1	3,9	1,42	VH100/121	TP160L6	6000
403,0	77,0	211	347	2,7	1,7	2,48	VH100/101	TP132MC4/160S4	5000
403,0	77,0	211	346	4,0	2,5	2,48	VH100/121	TP132MC4/160S4	6000
356,0	68,0	233	252	3,2	3,0	1,81	VH100/121	TP160L6	6000
338,0	64,0	251	413	3,3	2,1	2,95	VH100/121	TP132MC4/160S4	6000
321,0	61,0	258	279	3,1	2,9	2,00	VH100/121	TP160L6	6000
318,0	60,0	267	439	3,2	2,0	3,14	VH100/121	TP132MC4/160S4	6000
316,0	60,0	262	284	1,8	1,7	2,03	VH100/101	TP160L6	5000
306,0	58,0	278	457	2,2	1,4	3,27	VH100/101	TP132MC4/160S4	5000
279,0	53,0	304	500	2,9	1,9	3,58	VH100/121	TP132MC4/160S4	6000
270,0	51,0	314	517	2,0	1,3	3,70	VH100/101	TP132MC4/160S4	5000
259,0	49,0	320	347	1,8	1,7	2,48	VH100/101	TP160L6	5000
259,0	49,0	320	346	2,7	2,5	2,48	VH100/121	TP160L6	6000
243,0	46,0	350	575	2,5	1,6	4,12	VH100/121	TP132MC4/160S4	6000
237,0	45,0	358	590	1,8	1,1	4,22	VH100/101	TP132MC4/160S4	5000
218,0	41,0	381	413	2,3	2,1	2,95	VH100/121	TP160L6	6000
208,0	40,0	407	670	2,2	1,4	4,80	VH100/121	TP132MC4/160S4	6000
205,0	39,0	414	681	1,6	1,0	4,88	VH100/101	TP132MC4/160S4	5000

(a) Values relating to maximum speed

(b) Values relating to minimum speed

12.2 VH - PERFORMANCE

11,00 kW

n2 (a) [rpm]	n2 (b) [rpm]	M2 (a) [Nm]	M2 (b) [Nm]	fs (a)	fs (b)	i	Gear reducer	Motor	Fr2 [N]
205,0	39,0	405	439	2,2	2,1	3,14	VH100/121	TP160L6	6000
196,0	37,0	422	457	1,5	1,4	3,27	VH100/101	TP160L6	5000
192,0	36,0	443	728	2,1	1,3	5,21	VH100/121	TP132MC4/160S4	6000
190,0	36,0	447	736	1,4	0,9	5,27	VH100/101	TP132MC4/160S4	5000
190,0	36,0	442	728	4,2	2,7	5,26	VH100/102	TP132MC4/160S4	20877
180,0	34,0	461	500	2,0	1,9	3,58	VH100/121	TP160L6	6000
174,0	33,0	477	517	1,3	1,3	3,70	VH100/101	TP160L6	5000
160,0	30,0	531	873	1,8	1,1	6,25	VH100/121	TP132MC4/160S4	6000
157,0	30,0	534	879	3,9	2,5	6,36	VH100/102	TP132MC4/160S4	21838
156,0	30,0	531	575	1,7	1,6	4,12	VH100/121	TP160L6	6000
152,0	29,0	544	590	1,2	1,1	4,22	VH100/101	TP160L6	5000
142,0	27,0	592	975	4,0	2,6	7,05	VH100/102	TP132MC4/160S4	22000
134,0	25,0	619	670	1,5	1,4	4,80	VH100/121	TP160L6	6000
132,0	25,0	628	681	1,1	1,0	4,88	VH100/101	TP160L6	5000
130,0	25,0	654	1076	1,6	1,0	7,70	VH100/121	TP132MC4/160S4	6000
129,0	25,0	650	1070	5,9	3,8	7,74	VH100/122	TP132MC4/160S4	30000
123,0	23,0	672	728	1,4	1,3	5,21	VH100/121	TP160L6	6000
122,0	23,0	679	736	1,0	0,9	5,27	VH100/101	TP160L6	5000
122,0	23,0	671	728	2,9	2,7	5,26	VH100/102	TP160L6	22000
122,0	23,0	673	729	4,8	4,5	5,27	VH100/122	TP160L6	30000
121,0	23,0	695	1144	3,7	2,4	8,27	VH100/102	TP132MC4/160S4	22000
118,0	22,0	712	1172	5,6	3,6	8,48	VH100/122	TP132MC4/160S4	30000
111,0	21,0	737	798	4,7	4,4	5,78	VH100/122	TP160L6	30000
103,0	20,0	806	873	1,2	1,1	6,25	VH100/121	TP160L6	6000
101,0	19,0	811	879	2,6	2,5	6,36	VH100/102	TP160L6	22000
100,0	19,0	839	1381	3,5	2,2	9,99	VH100/102	TP132MC4/160S4	22000
97,0	18,0	869	1430	4,8	3,1	10,35	VH100/122	TP132MC4/160S4	30000
91,0	17,0	900	975	2,7	2,6	7,05	VH100/102	TP160L6	22000
91,0	17,0	899	974	4,3	4,1	7,05	VH100/122	TP160L6	30000
90,0	17,0	931	1532	3,4	2,1	11,09	VH100/102	TP132MC4/160S4	22000
83,0	16,0	993	1076	1,1	1,0	7,70	VH100/121	TP160L6	6000
83,0	16,0	988	1070	4,0	3,8	7,74	VH100/122	TP160L6	30000
79,0	15,0	1064	1750	4,3	2,8	12,66	VH100/122	TP132MC4/160S4	30000
78,0	15,0	1056	1144	2,5	2,4	8,27	VH100/102	TP160L6	22000
76,0	14,0	1081	1172	3,8	3,6	8,48	VH100/122	TP160L6	30000
75,0	14,0	1119	1842	2,9	1,8	13,32	VH100/102	TP132MC4/160S4	22000
72,0	14,0	1165	1917	4,1	2,6	13,86	VH100/122	TP132MC4/160S4	30000
64,0	12,0	1275	1381	2,4	2,2	9,99	VH100/102	TP160L6	22000
62,0	12,0	1352	2224	2,5	1,6	16,09	VH100/102	TP132MC4/160S4	22000
62,0	12,0	1320	1430	3,2	3,1	10,35	VH100/122	TP160L6	30000
59,0	11,0	1422	2339	3,5	2,2	16,92	VH100/122	TP132MC4/160S4	30000
58,0	11,0	1414	1532	2,3	2,1	11,09	VH100/102	TP160L6	22000
56,0	11,0	1500	2468	2,2	1,4	17,85	VH100/102	TP132MC4/160S4	22000
52,0	9,8	1623	2671	3,2	2,1	19,32	VH100/122	TP132MC4/160S4	30000
51,0	9,6	1616	1750	2,9	2,8	12,66	VH100/122	TP160L6	30000
50,0	9,6	1668	2744	2,0	1,3	19,85	VH100/102	TP132MC4/160S4	22000
49,0	9,2	1728	2844	3,0	1,9	20,57	VH100/122	TP132MC4/160S4	30000
48,0	9,2	1700	1842	2,0	1,8	13,32	VH100/102	TP160L6	22000
47,0	8,9	1802	2964	1,8	1,2	21,44	VH100/102	TP132MC4/160S4	22000
46,0	8,8	1769	1917	2,8	2,6	13,86	VH100/122	TP160L6	30000
44,0	8,4	1892	3114	2,8	1,8	22,52	VH100/122	TP132MC4/160S4	30000
42,0	7,9	2014	3313	1,7	1,1	23,97	VH100/102	TP132MC4/160S4	22000
41,0	7,8	2056	3382	2,5	1,6	24,47	VH100/122	TP132MC4/160S4	30000
40,0	7,6	2053	2224	1,7	1,6	16,09	VH100/102	TP160L6	22000
39,0	7,3	2176	3580	1,6	1,0	25,89	VH100/102	TP132MC4/160S4	22000
38,0	7,2	2159	2339	2,4	2,3	16,92	VH100/122	TP160L6	30000
36,0	6,9	2310	3800	2,3	1,4	27,49	VH100/122	TP132MC4/160S4	30000
36,0	6,8	2278	2468	1,5	1,4	17,85	VH100/102	TP160L6	22000

(a) Values relating to maximum speed

(b) Values relating to minium speed

12.2 VH - PERFORMANCE

11,00 kW

n2 (a) [rpm]	n2 (b) [rpm]	M2 (a) [Nm]	M2 (b) [Nm]	fs (a)	fs (b)	i	Gear reducer	Motor	Fr2 [N]
35,0	6,6	2414	3971	1,4	0,9	28,73	VH100/102	TP132MC4/160S4	22000
33,0	6,4	2509	4128	2,1	1,3	29,86	VH100/122	TP132MC4/160S4	30000
33,0	6,3	2465	2671	2,2	2,1	19,32	VH100/122	TP160L6	30000
32,0	6,2	2532	2744	1,4	1,3	19,85	VH100/102	TP160L6	22000
31,0	5,9	2625	2844	2,0	1,9	20,57	VH100/122	TP160L6	30000
30,0	5,8	2772	4562	1,9	1,2	33,00	VH100/122	TP132MC4/160S4	30000
30,0	5,7	2736	2964	1,3	1,2	21,44	VH100/102	TP160L6	22000
29,0	5,4	2874	3114	1,9	1,8	22,52	VH100/122	TP160L6	30000
28,0	5,3	3036	4995	1,7	1,1	36,13	VH100/122	TP132MC4/160S4	30000
27,0	5,1	3058	3313	1,2	1,1	23,97	VH100/102	TP160L6	22000
26,0	5,0	3122	3382	1,7	1,6	24,47	VH100/122	TP160L6	30000
25,0	4,7	3304	3580	1,1	1,0	25,89	VH100/102	TP160L6	22000
23,0	4,4	3507	3800	1,5	1,4	27,49	VH100/122	TP160L6	30000
22,0	4,3	3665	3971	1,0	0,9	28,73	VH100/102	TP160L6	22000
22,0	4,1	3810	4128	1,4	1,3	29,86	VH100/122	TP160L6	30000
19,0	3,7	4210	4562	1,3	1,2	33,00	VH100/122	TP160L6	30000
18,0	3,4	4610	4995	1,2	1,1	36,13	VH100/122	TP160L6	30000
15,0	2,8	5626	6096	1,0	0,9	44,10	VH100/122	TP160L6	30000

15,00 kW

n2 (a) [rpm]	n2 (b) [rpm]	M2 (a) [Nm]	M2 (b) [Nm]	fs (a)	fs (b)	i	Gear reducer	Motor	Fr2 [N]
813,0	154,0	142	172	4,7	4,1	1,23	VH100/121	TP160L4	5708
774,0	147,0	150	181	2,8	2,4	1,29	VH100/101	TP160L4	4383
709,0	135,0	163	197	2,9	2,5	1,41	VH100/101	TP160L4	4484
706,0	134,0	164	198	4,4	3,9	1,42	VH100/121	TP160L4	5942
554,0	105,0	209	252	3,5	3,0	1,81	VH100/121	TP160L4	6000
500,0	95,0	232	279	3,4	2,9	2,00	VH100/121	TP160L4	6000
492,0	93,0	235	284	2,0	1,7	2,03	VH100/101	TP160L4	4909
403,0	77,0	287	347	2,0	1,7	2,48	VH100/101	TP160L4	5000
403,0	77,0	287	346	2,9	2,5	2,48	VH100/121	TP160L4	6000
338,0	64,0	342	413	2,4	2,1	2,95	VH100/121	TP160L4	6000
318,0	60,0	364	439	2,3	2,0	3,14	VH100/121	TP160L4	6000
306,0	58,0	379	457	1,6	1,4	3,27	VH100/101	TP160L4	5000
279,0	53,0	414	500	2,1	1,9	3,58	VH100/121	TP160L4	6000
270,0	51,0	428	517	1,5	1,3	3,70	VH100/101	TP160L4	5000
243,0	46,0	477	575	1,9	1,6	4,12	VH100/121	TP160L4	6000
237,0	45,0	489	590	1,3	1,1	4,22	VH100/101	TP160L4	5000
208,0	40,0	556	670	1,6	1,4	4,80	VH100/121	TP160L4	6000
205,0	39,0	564	681	1,1	1,0	4,88	VH100/101	TP160L4	5000
192,0	36,0	604	728	1,5	1,3	5,21	VH100/121	TP160L4	6000
190,0	36,0	610	736	1,1	0,9	5,27	VH100/101	TP160L4	5000
190,0	36,0	603	728	3,1	2,7	5,26	VH100/102	TP160L4	18904
190,0	36,0	604	729	5,2	4,5	5,27	VH100/122	TP160L4	28791
173,0	33,0	662	798	5,0	4,4	5,78	VH100/122	TP160L4	29524
160,0	30,0	723	873	1,3	1,1	6,25	VH100/121	TP160L4	6000
157,0	30,0	728	879	2,9	2,5	6,36	VH100/102	TP160L4	19737
142,0	27,0	808	975	3,0	2,6	7,05	VH100/102	TP160L4	20185
142,0	27,0	808	974	4,6	4,0	7,05	VH100/122	TP160L4	30000
130,0	25,0	891	1076	1,2	1,0	7,70	VH100/121	TP160L4	6000
129,0	25,0	887	1070	4,3	3,8	7,74	VH100/122	TP160L4	30000
121,0	23,0	948	1144	2,7	2,4	8,27	VH100/102	TP160L4	20852
118,0	22,0	971	1172	4,1	3,6	8,48	VH100/122	TP160L4	30000
100,0	19,0	1145	1381	2,5	2,2	9,99	VH100/102	TP160L4	21586
97,0	18,0	1185	1430	3,5	3,1	10,35	VH100/122	TP160L4	30000

(a) Values relating to maximum speed

(b) Values relating to minium speed

15,00 kW

n2 (a) [rpm]	n2 (b) [rpm]	M2 (a) [Nm]	M2 (b) [Nm]	fs (a)	fs (b)	i	Gear reducer	Motor	Fr2 [N]
90,0	17,0	1270	1532	2,5	2,1	11,09	VH100/102	TP160L4	21958
79,0	15,0	1451	1750	3,2	2,8	12,66	VH100/122	TP160L4	30000
75,0	14,0	1527	1842	2,1	1,8	13,32	VH100/102	TP160L4	22000
72,0	14,0	1588	1917	3,0	2,6	13,86	VH100/122	TP160L4	30000
62,0	12,0	1843	2224	1,8	1,6	16,09	VH100/102	TP160L4	22000
59,0	11,0	1939	2339	2,6	2,2	16,92	VH100/122	TP160L4	30000
56,0	11,0	2045	2468	1,6	1,4	17,85	VH100/102	TP160L4	22000
52,0	9,8	2214	2671	2,4	2,1	19,32	VH100/122	TP160L4	30000
50,0	9,6	2274	2744	1,5	1,3	19,85	VH100/102	TP160L4	22000
49,0	9,2	2357	2844	2,2	1,9	20,57	VH100/122	TP160L4	30000
47,0	8,9	2457	2964	1,4	1,2	21,44	VH100/102	TP160L4	22000
44,0	8,4	2580	3114	2,0	1,8	22,52	VH100/122	TP160L4	30000
42,0	7,9	2746	3313	1,3	1,1	23,97	VH100/102	TP160L4	22000
41,0	7,8	2803	3382	1,9	1,6	24,47	VH100/122	TP160L4	30000
39,0	7,3	2967	3580	1,2	1,0	25,89	VH100/102	TP160L4	22000
36,0	6,9	3150	3800	1,7	1,4	27,49	VH100/122	TP160L4	30000
35,0	6,6	3291	3971	1,0	0,9	28,73	VH100/102	TP160L4	22000
33,0	6,4	3421	4128	1,5	1,3	29,86	VH100/122	TP160L4	30000
30,0	5,8	3781	4562	1,4	1,2	33,00	VH100/122	TP160L4	30000
28,0	5,3	4139	4995	1,3	1,1	36,13	VH100/122	TP160L4	30000

(a) Values relating to maximum speed

(b) Values relating to minimum speed

MOTOVARIATORS + WORM GEAR REDUCERS

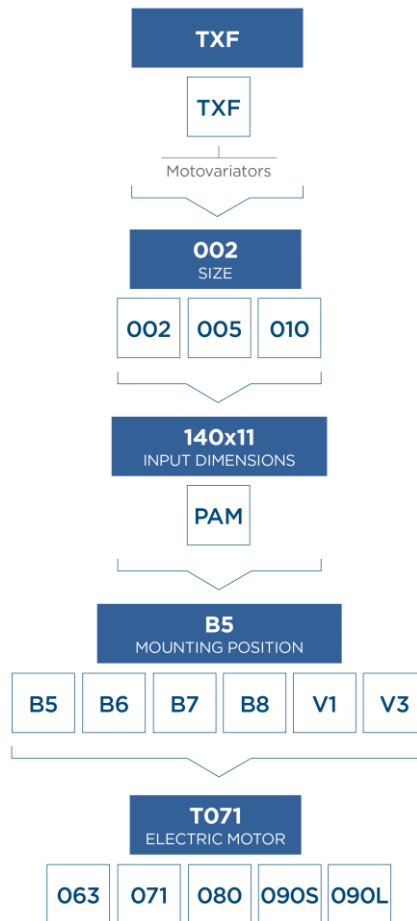


TXF + NMRV

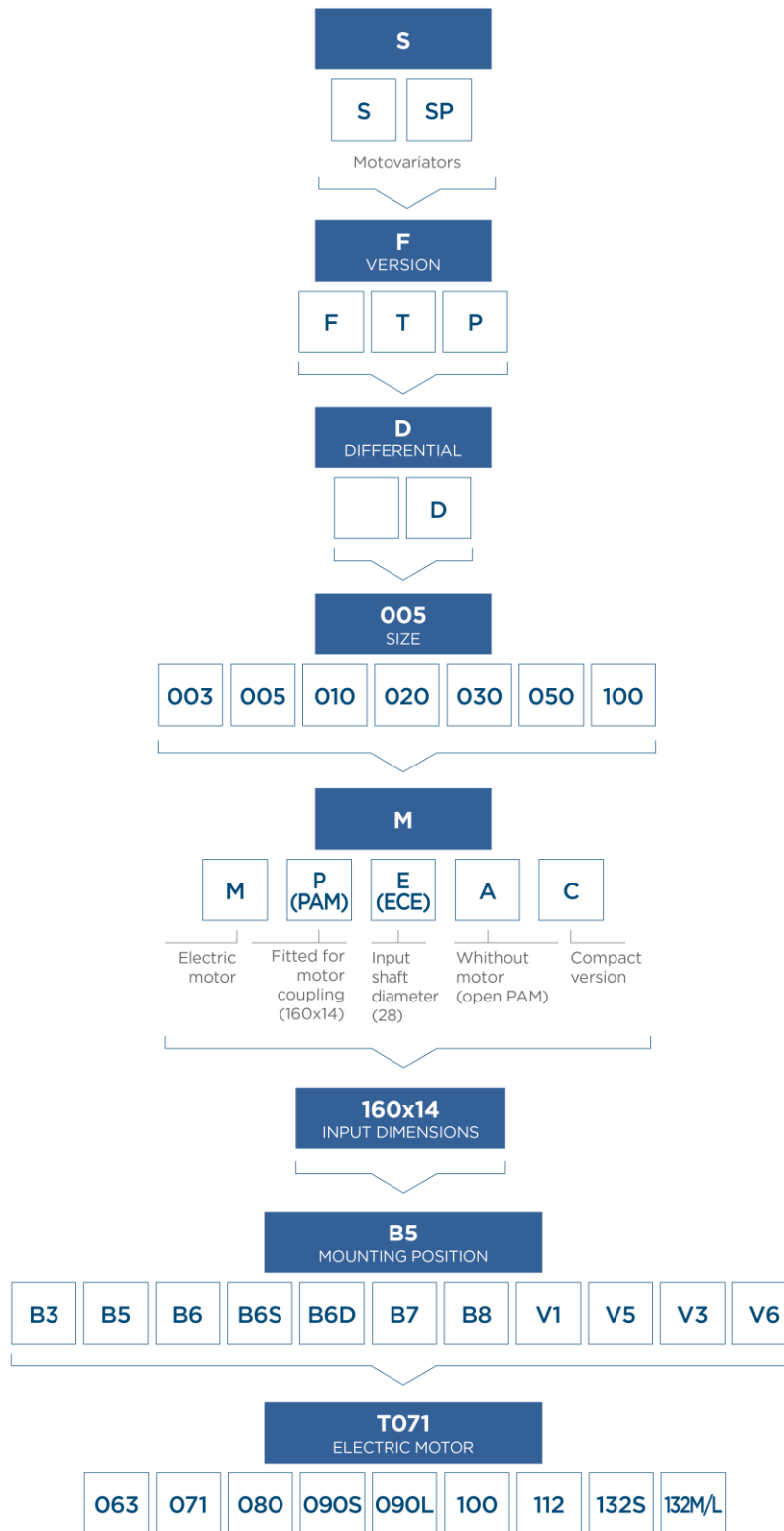


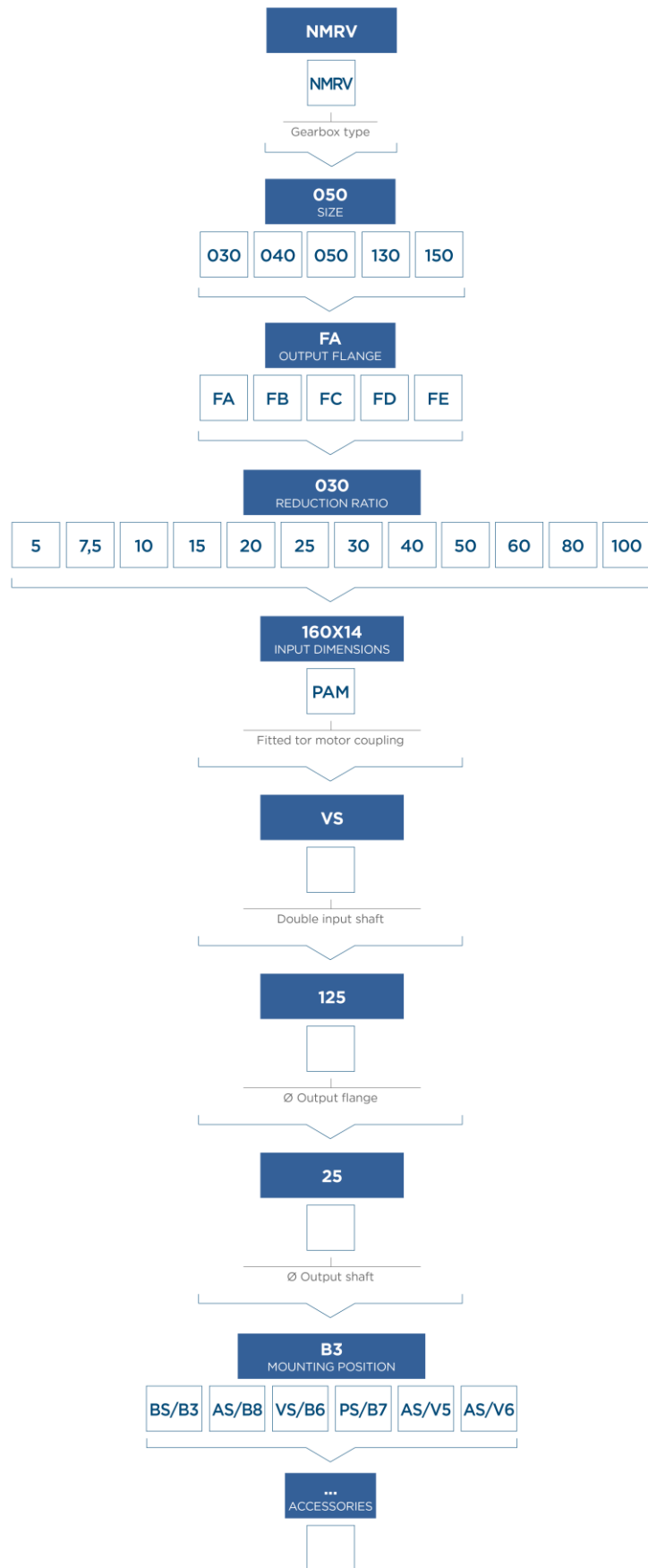
S + NMRV

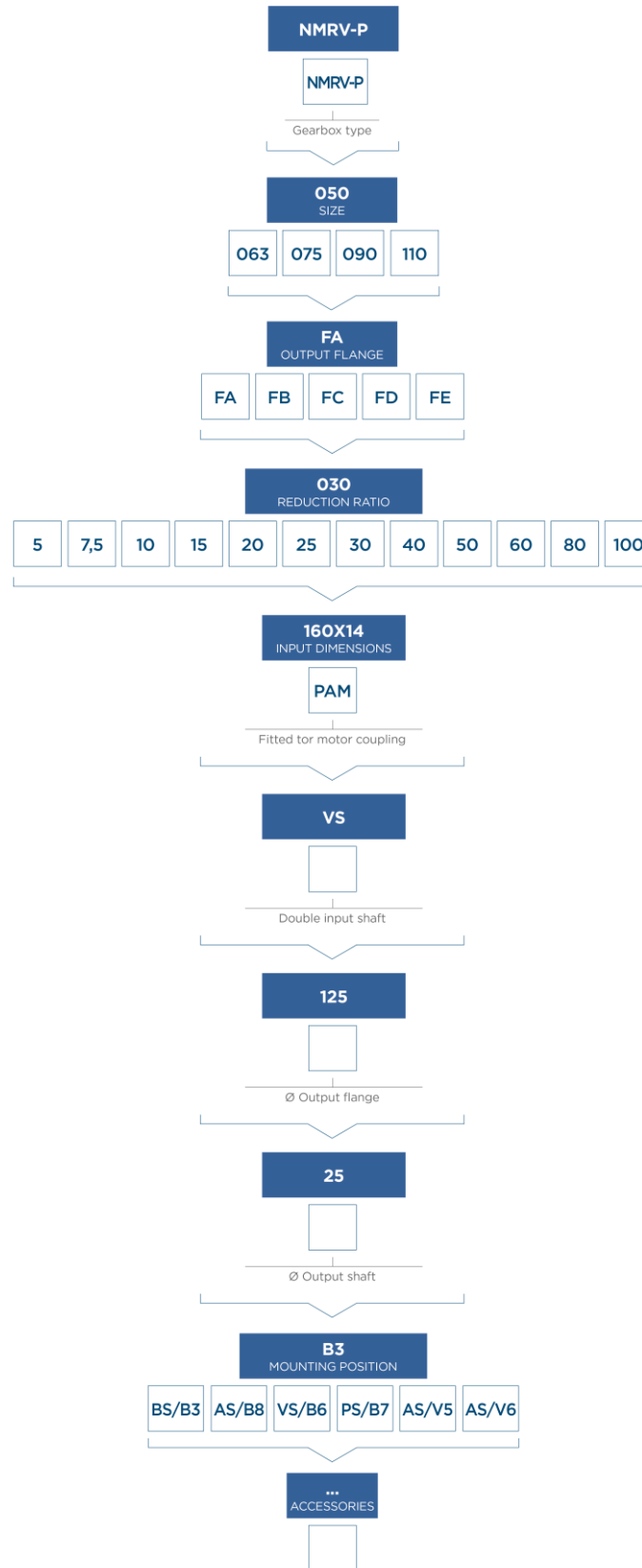
14.1.1 Designation



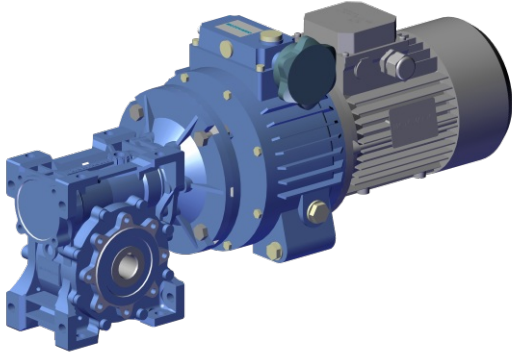
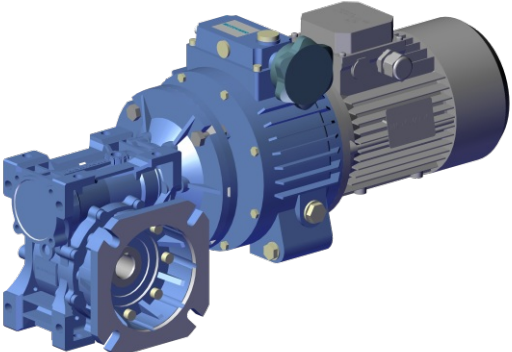
14.1 TYPOLOGY





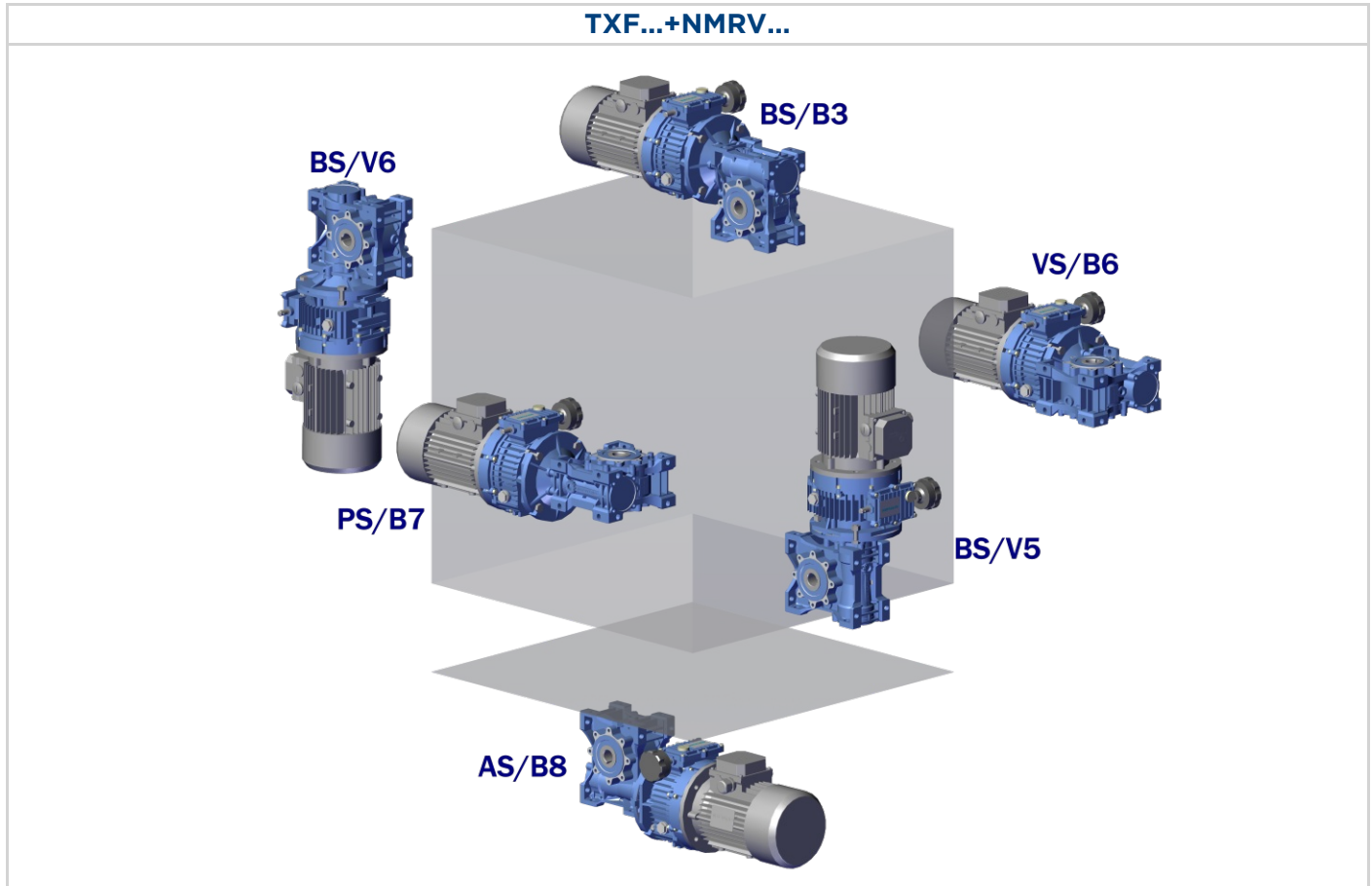


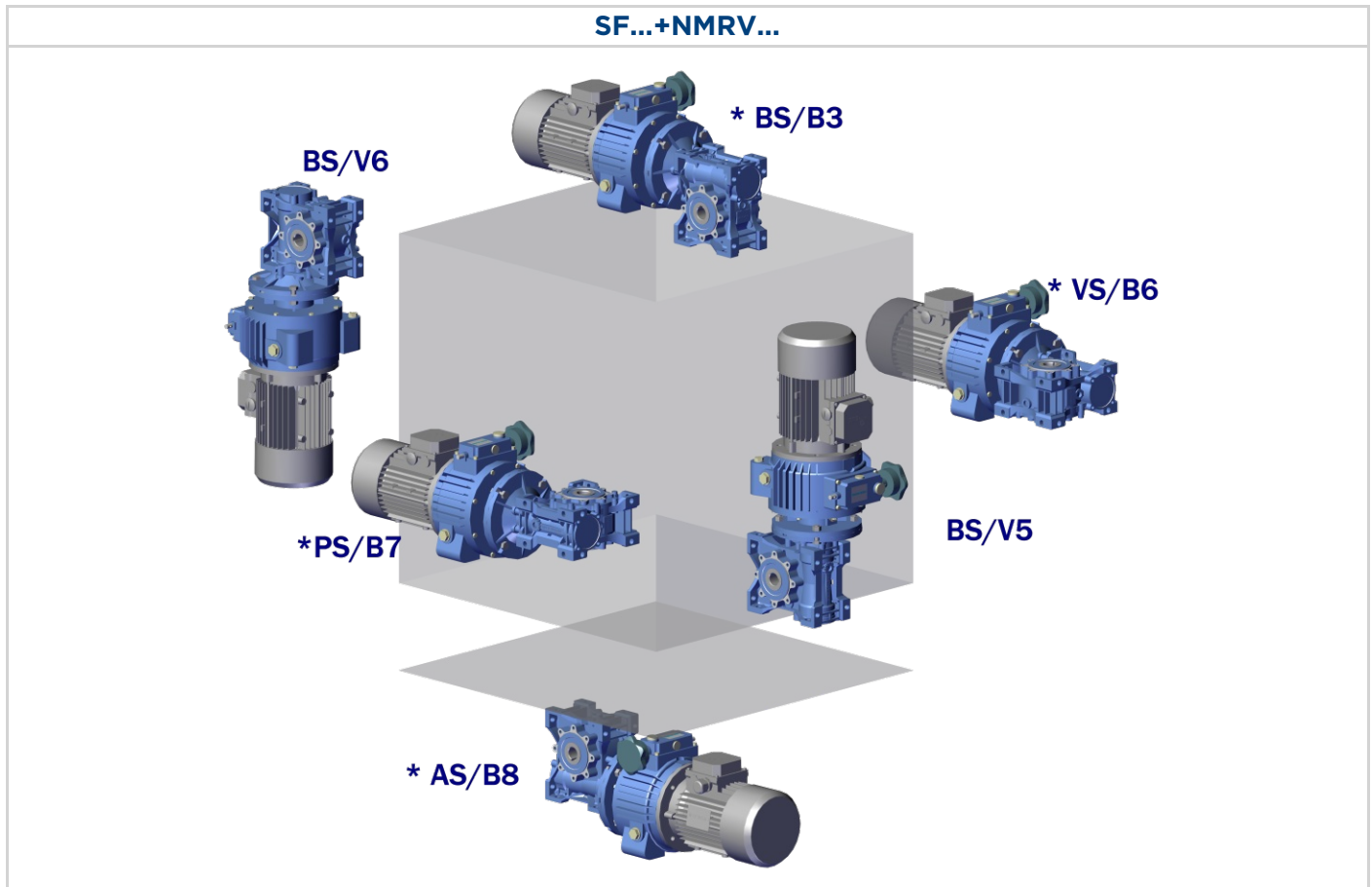
14.1.2 Versions

TXF.../SF...+NMRV030/130	TXF.../SF...+NMRV030F/130F
	

14.2.1 Mounting positions

The mounting position of the variator unit identifies its space orientation. B3/B5 mounting position, as from a technical point of view, ensures lower oil splash, better lubrication and less heating.
N.B.: When ordering, please always specify execution and mounting position.

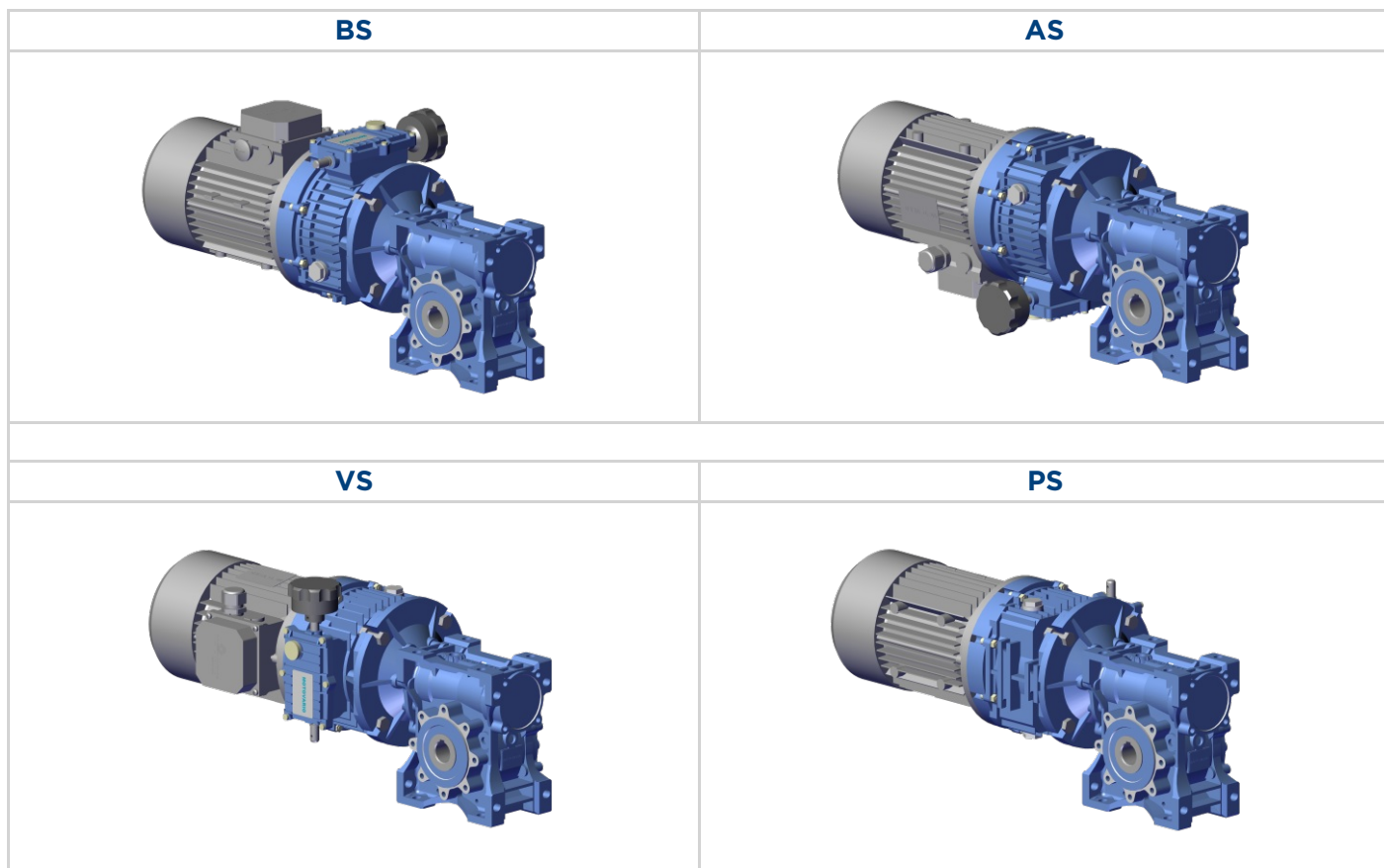




(*) For this mounting position only one execution is possible.

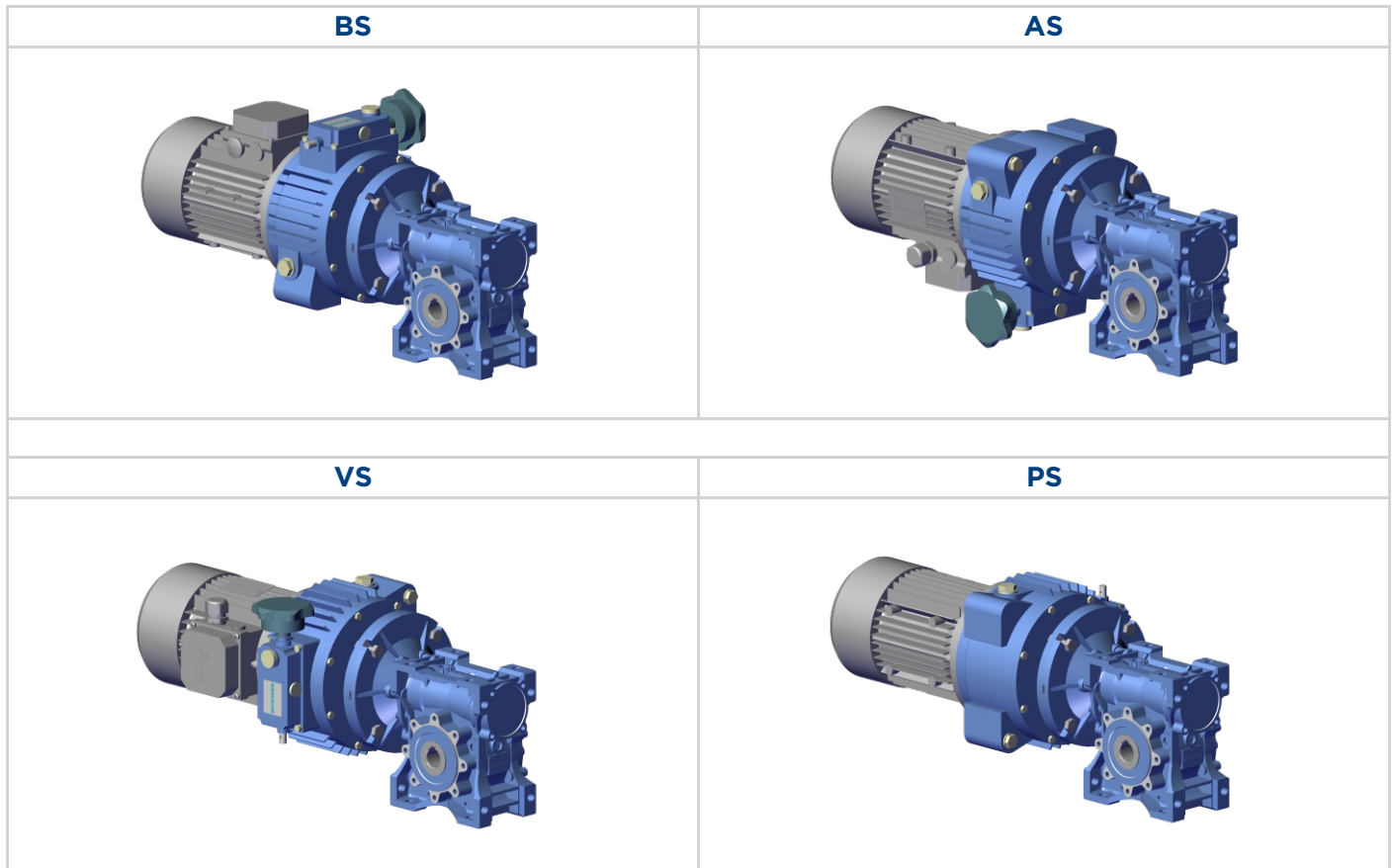
14.2 MOUNTING POSITIONS

Execution TXF...+NMRV...



14.2 MOUNTING POSITIONS

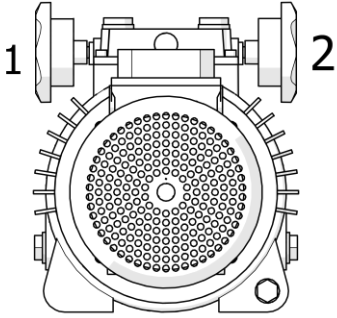
Execution SF...+NMRV...



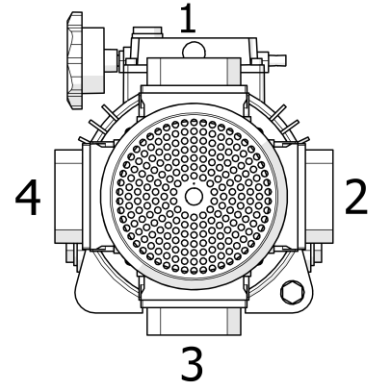
14.2.2 Position of terminal box

In the case of specific requirements, when ordering, specify the position of the terminal box as shown in the diagram. Unless otherwise specified, the gear reducer is supplied with terminal box in position 1.

Control handwheel



Position of terminal box



14.3.1 TXF...+NMRV...

NMRV NMRV-P	i	PAM	TXF...				
			002/063	005/071	005/080	010/080	010/090
			140/11	160/14	160/19	200/19	200/24
030	5-10	140/11	✓	-	-	-	-
040	5-15	160/14	-	✓	-	-	-
	5-30	140-11	✓	-	-	-	-
050	5-50	160/19	-	-	✓	-	-
	5-50	160/14	-	✓	-	-	-
	40-60	140/11	✓	-	-	-	-
063	7.5-40	200/24	-	-	-	-	✓
	7.5-40	200/19	-	-	-	✓	-
	40-80	200/19	-	-	✓	-	-
	40-80	160/14	-	✓	-	-	-
075	7.5-60	200/24	-	-	-	-	✓
	7.5-60	200/19	-	-	-	✓	-
	50-100	200/19	-	-	✓	-	-
	50-100	160/14	-	✓	-	-	-
090	7.5-80	200/24	-	-	-	-	✓
	7.5-80	200/19	-	-	-	✓	-
110	25-100	200/24	-	-	-	-	✓
	25-100	200/19	-	-	-	✓	-
130	80-100	200/24	-	-	-	-	✓
	80-100	200/19	-	-	-	✓	-

✓ Combination possible.

- Combination is not possible.

14.3 COMBINATIONS

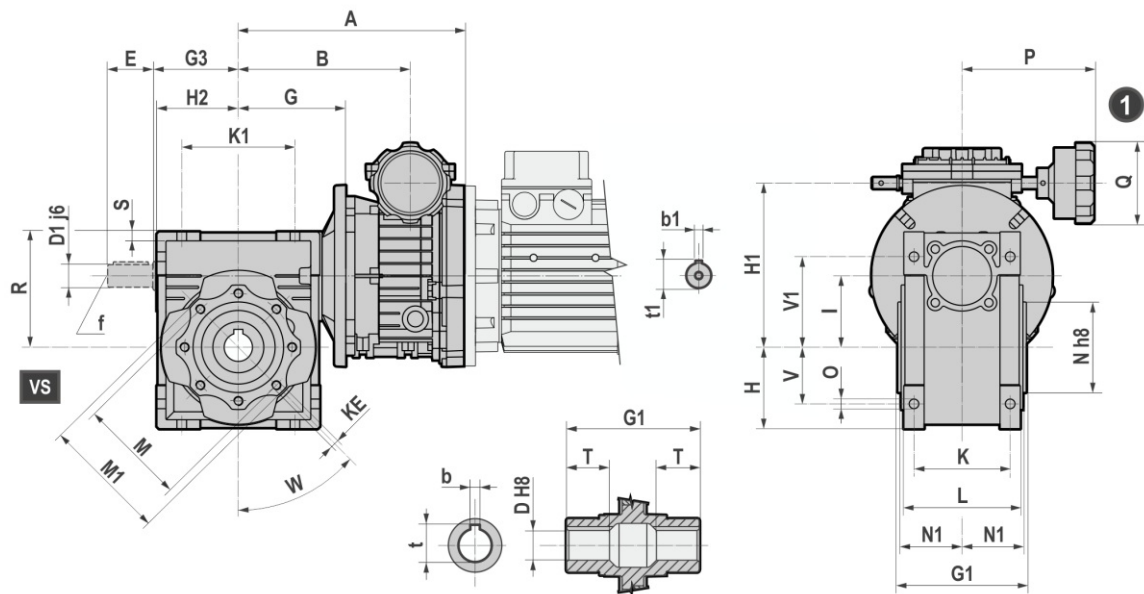
14.3.2 SF...+NMRV...

NMRV NMRV-P	i	pam	SF...							
			020		030		050		100	
			200/24	250/28	250/28	300/38	250/28	300/38	300/38	350/42
075	7.5-40	200/24	✓			-			-	
090	7.5-30	250/28	✓			✓			-	
	7.5-60	200/24	✓			-			-	
110	7.5-20	300/38				✓			✓	
	7.5-60	250/28	✓			✓			✓	
	25-100	200/24	✓			-			-	
130	7.5-40	300/38				✓			✓	
	25-100	250/28	✓			✓			✓	
	80-100	200/24	✓			-			-	
150	7.5-25	350-42				-			-	✓
	20-60	300/38				-			✓	✓
	50-100	250/28	✓			✓			✓	-

✓ Combination possible.

- Combination is not possible.

15.1 TXF+NMRV



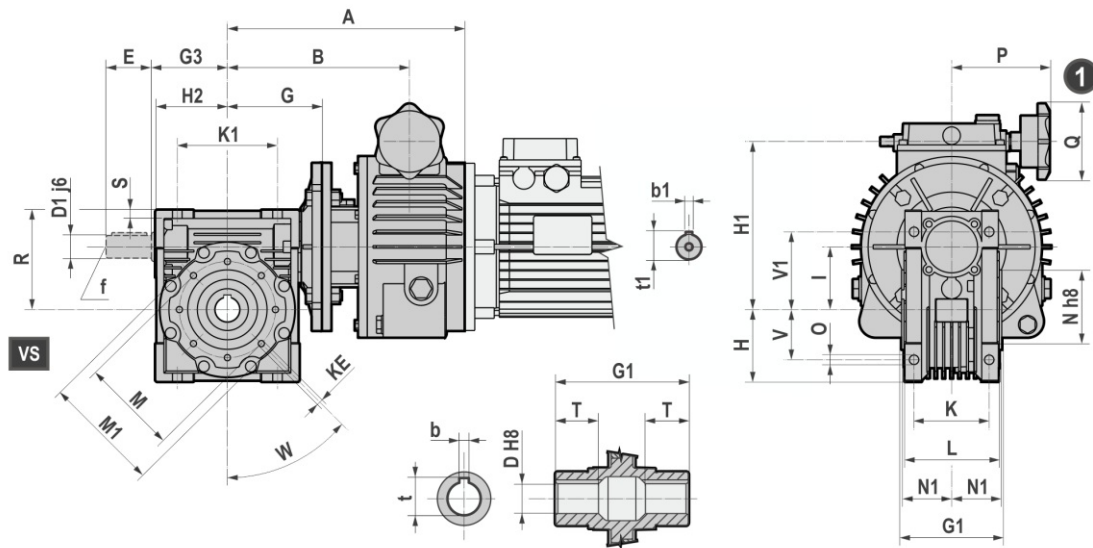
TX+NMRV	A	B	H1	P	Q
002/063+030	137,5	95	99	116,5	71
002/063+040	152,5	110	109	116,5	71
002/063+050	162,5	120	119	116,5	71
005/071+040	173,5	127	122	116,5	71
005/071+050	183,5	137	132	116,5	71
005/071+063	212,5	166	145	116,5	71
005/071+075	230	183,5	157	116,5	71
005/080+050	194,5	137	132	116,5	71
005/080+063	223,5	166	145	116,5	71
005/080+075	241	183,5	157	116,5	71
010/080+063	240,5	177,5	166	126,5	71
010/080+075	258	195	178	126,5	71
010/080+090	276,5	213,5	193	126,5	71
010/080+105	292	228,5	213	126,5	71
010/080+110	300	237	213	126,5	71
010/080+130	311,5	248,5	233	126,5	71
010/090+063	240,5	177,5	166	126,5	71
010/090+075	258	195	178	126,5	71
010/090+090	276,5	213,5	193	126,5	71
010/090+105	292	228,5	213	126,5	71
010/090+110	300	237	213	126,5	71
010/090+130	311,5	248,5	233	126,5	71

15.1 TXF+NMRV

	NMRV - NMRV-P							
	030	040	050	063	075	090	110	130
D1 j6	9	11	14	19	24	24	28	30
E	20	23	30	40	50	50	60	80
b1	3	4	5	6	8	8	8	8
t1	10,2	12,5	16	21,5	27	27	31	33
f1	-	-	M6	M6	M8	M8	M10	M10
G	55	70	80	109	126,5	145	185,5 (PAM 132) 168 (PAM 080/112)	180
G1	63	78	92	112	120	140	155	170
G3	45	53	64	75	90	108	135	155
H	40	50	60	72	86	103	127,5	147,5
H2	40	50	60	72	89	103	127,5	147,5
I	30	40	50	63	75	90	110	130
K	44	60	70	85	90 - 95	100	115	120
K1	54	70	80	100	120	140	164 - 170	200
KE	M6*11	M6*11	M8*10	M8*14	M8*14	M10*18	M10*18	M12*21
L	56	71	85	103	112	130	144	155
M	65	75	85	95	115	130	165	215
N	55	60	70	80	95	110	130	180
N1	29	36,5	43,5	53	57	67	74	81
O	6,5	6,5	8,5	8,5	11	13	14	16
M1	75	87	100	110	131	160	200	250
R	57	71,5	84	107	123	144	167,5	187,5
S	5,5	6,5	7	8	10 - 13	11	14,5	15,5
V	27	35	40	50	60	70	82 - 85	100
V1	44	55	64	80	93	102	125	140
W	0	45	45	45	45	45	45	45

NMRV - NMRV-P	D H8	b	t	T
030	14	5	16,3	21
040	18	6	20,8	26
040	19	6	21,8	26
050	25	8	28,3	30
050	24	8	27,3	30
063	25	8	28,3	36
063	28	8	31,3	36
075	28	8	31,3	40
075	30	8	33,3	40
075	32	10	35,3	40
075	35	10	38,3	40
090	35	10	38,3	45
090	38	10	41,3	45
090	40	12	43,3	45
110	42	12	45,3	50
130	45	14	48,8	60

15.2 SF+NMRV



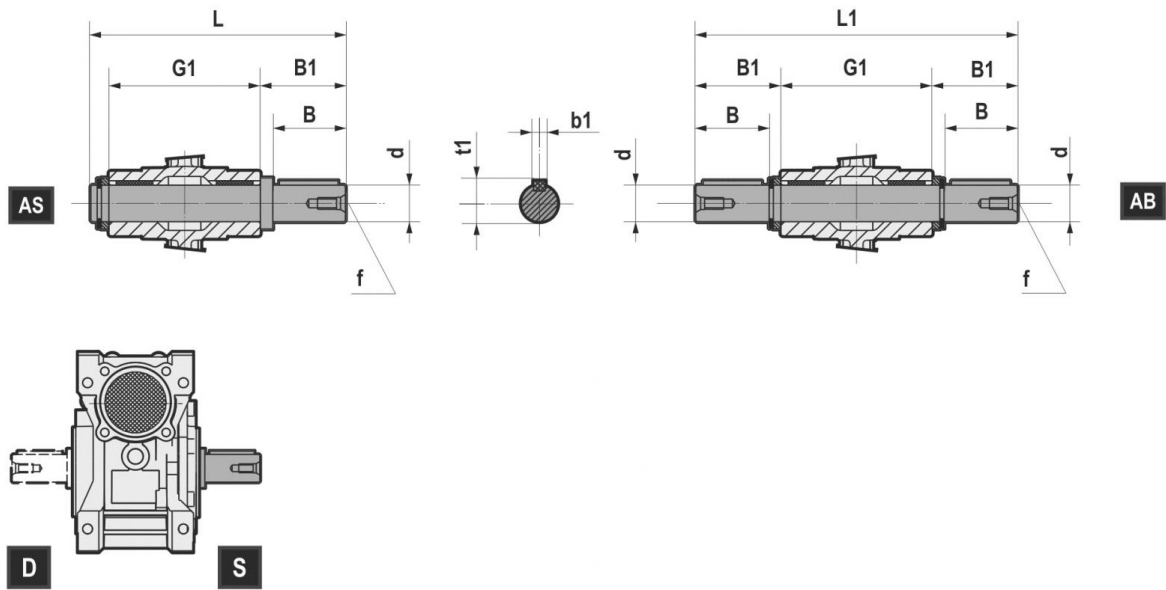
SF+NMRV	A	B	H1	P	Q
020+075	299,5	232	201	117	90
020+090	318	250,5	216	117	90
020+110	341	273,5	236	117	90
020+130	353	285,5	256	117	90
020+150	383	315,5	276	117	90
030+090	353	268,5	248,5	154	120
030+110	376	291,5	268,5	154	120
030+130	388	303,5	288,5	154	120
030+150	418	333,5	308,5	154	120
050+110	376	291,5	268,5	154	120
050+130	388	303,5	288,5	154	120
050+150	418	333,5	308,5	154	120
100+150	476	374,5	355,5	184	120

15.2 SF+NMRV

	NMRV - NMRV-P				
	075	090	110	130	150
D1 j6	24	24	28	30	35
E	50	50	60	80	80
b1	8	8	8	8	10
t1	27	27	31	33	38
f1	M8	M8	M10	M10	M12
G	126,5	145	185,5 (PAM 132) 168 (PAM 080/112)	180	210
G1	120	140	155	170	200
G3	90	108	135	155	175
H	86	103	127,5	147,5	170
H2	89	103	127,5	147,5	170
I	75	90	110	130	150
K	90 - 95	100	115	120	145
K1	120	140	164 - 170	200	240
KE	M8*14	M10*18	M10*18	M12*21	M12*21
L	112	130	144	155	185
M	115	130	165	215	215
N	95	110	130	180	180
N1	57	67	74	81	96
O	11	13	14	16	18
M1	131	160	200	250	250
R	123	144	167,5	187,5	230
S	10 - 13	11	14,5	15,5	18
V	60	70	82 - 85	100	120
V1	93	102	125	140	180
W	45	45	45	45	45

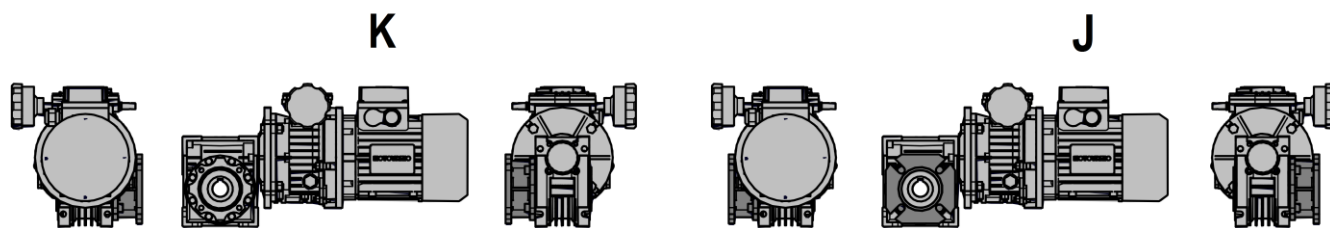
NMRV - NMRV-P	D H8	b	t	T
075	28	8	31,3	40
075	30	8	33,3	40
075	32	10	35,3	40
075	35	10	38,3	40
090	35	10	38,3	45
090	38	10	41,3	45
090	40	12	43,3	45
110	42	12	45,3	50
130	45	14	48,8	60
150	50	14	53,8	72,5

16.1 LOW SPEED SHAFTS

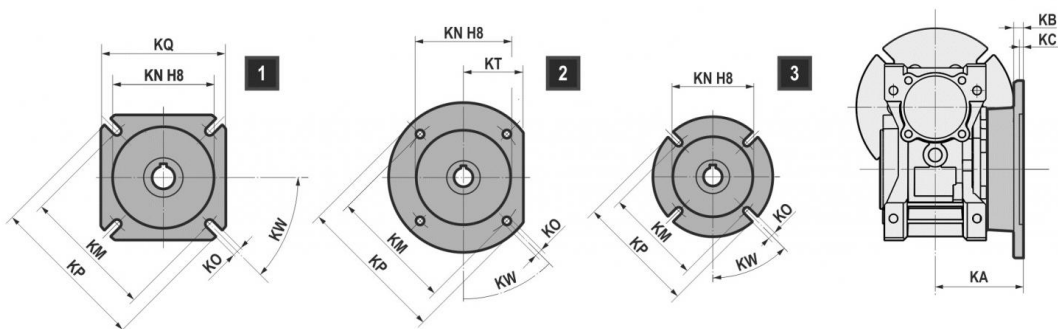


		d	B	B1	G1	L	L1	f	b1	t1
NMRV	030	14 h6	30	32,5	63	102	128	M6	5	16
NMRV	040	18 h6	40	43	78	128	164	M6	6	20,5
NMRV	050	25 h6	50	53,5	92	153	199	M10	8	28
NMRV-P	063	25 h6	50	53,5	112	173	219	M10	8	28
NMRV-P	075	28 h6	60	63,5	120	192	247	M10	8	31
NMRV-P	090	35 h6	80	84,5	140	234	309	M12	10	38
NMRV-P	110	42 h6	80	84,5	155	249	324	M16	12	45
NMRV	130	45 h6	80	85	170	265	340	M16	14	48,5
NMRV	150	50 h6	82	87	200	297	374	M16	14	53,5

16.2 OUTPUT FLANGE



Unless specified otherwise, the reduction unit is supplied with the flange in pos. J referred to position B3.



	NMRV 030	NMRV 040	NMRV 050	NMRV-P 063	NMRV-P 075	NMRV-P 090	NMRV-P 110	NMRV 130	NMRV 150
FA	1	1	1	1	1	1	1	1	1
FB	-	1	1	1	3	2	1	-	-
FC	-	2	2	2	-	3	-	-	-
FD	-	2	2	2	-	1	-	-	-
FE	-	-	-	3	-	-	-	-	-

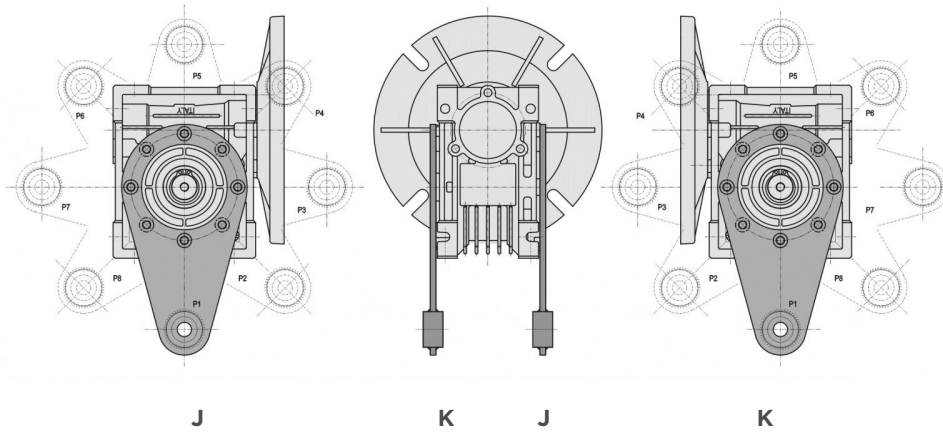
		FA									FB									
		KA	KB	KC	KN	KM	KO	KP	KQ	KW	KA	KB	KC	KN	KM	KO	KP	KQ	KT	KW
NMRV	030	54,5	6	4	50	68	6.5 (n°4)	80	70	45°	-	-	-	-	-	-	-	-	-	-
NMRV	040	67	7	4	60	80 min	9 (n°4)	110	95	45°	97	7	4	60	80 min	9 (n°4)	110	95	-	45°
NMRV	050	90	9	5	70	90 min	11 (n°4)	125	110	45°	120	9	5	70	90 min	11 (n°4)	125	110	-	45°
NMRV-P	063	82	10	6	115	150	11 (n°4)	180	142	45°	112	10	6	115	150	11 (n°4)	180	142	-	45°
NMRV-P	075	111	13	6	130	165	14 (n°4)	200	170	45°	90	13	6	110	130	11 (n°4)	160	-	-	45°
NMRV-P	090	111	13	6	152	175	14 (n°4)	210	200	45°	122	18	6	180	215	14 (n°4)	250	-	105	45°
NMRV-P	110	131	15	6	170	230	14 (n°8)	280	260	45°	180	15	6	170	230	14 (n°8)	280	260	-	45°
NMRV	130	140	15	6	180	255	16 (n°8)	320	290	22.5°	-	-	-	-	-	-	-	-	-	-
NMRV	150	155	15	6	180	255	16 (n°8)	320	290	22.5°	-	-	-	-	-	-	-	-	-	-

		FC									FD									
		KA	KB	KC	KN	KM	KO	KP	KT	KW	KA	KB	KC	KN	KM	KO	KP	KQ	KT	KW
NMRV	040	80	9	5	95	115	9.5 (n°4)	140	56	45°	58	12	5	80	100	9 (n°4)	120	-	50	45°
NMRV	050	89	10	5	110	130	9.5 (n°4)	160	66	45°	72	14,5	5	95	115	11 (n°4)	140	-	60	45°
NMRV-P	063	98	10	5	130	165	11 (n°4)	200	80	45°	107	10	5	130	165	11 (n°4)	200	-	-	45°
NMRV-P	090	110	17	6	130	165	11 (n°4)	200	-	45°	151	13	6	152	175	14 (n°4)	210	200	-	45°

		FE							
		KA	KB	KC	KN	KM	KO	KP	KW
NMRV-P	063	80,5	16,5	5	110	130	11 (n°4)	160	45°

16.3 SHAFT MOUNTING FASTENING

16.3.1 Torque arm: Mounting position

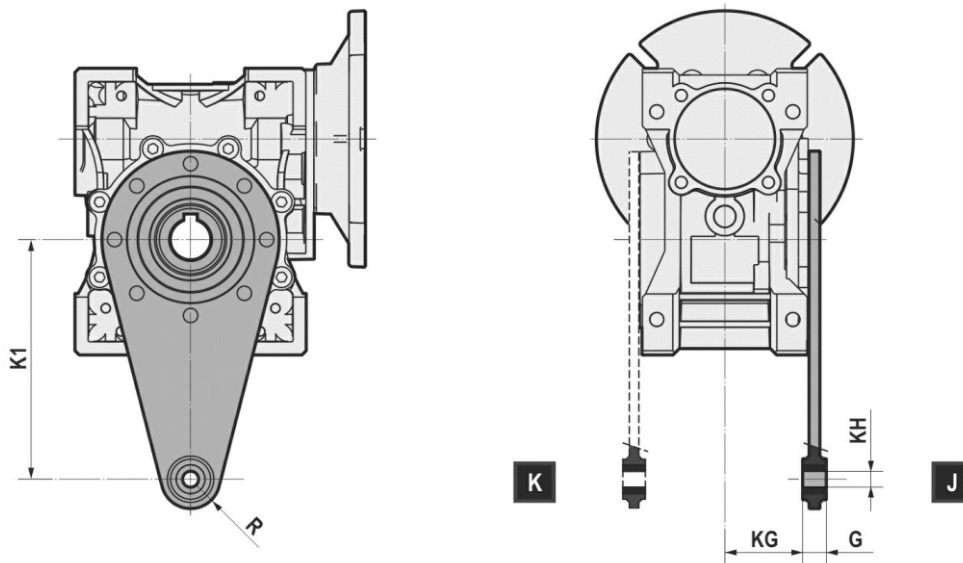


NMRV NMRV-P	P1		P2		P3		P4		P5		P6		P7		P8		
	J	K	J	K	J	K	J	K	J	K	J	K	J	K	J	K	
030			NO	NO	NO	NO	NO	NO									
040			NO	NO	NO	NO	NO	NO									
050			NO	NO	NO	NO	NO	NO			NO	NO					
063					NO	NO	NO	NO									
075			NO	NO	NO	NO	NO	NO									
090					NO	NO	NO	NO									
110					NO	NO	NO	NO									
130					NO	NO	NO	NO									
150			NO	NO	NO	NO	NO	NO	NO	NO	NO	NO				NO	NO

(/) Not available

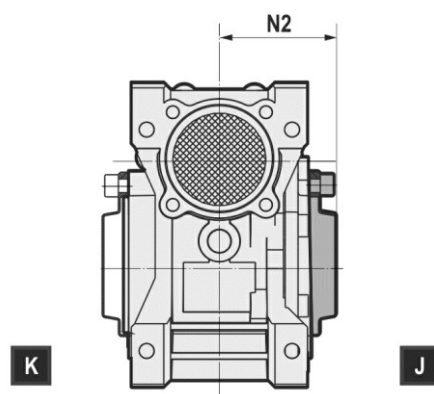
16.3 SHAFT MOUNTING FASTENING

16.3.2 Torque arm: Dimensions



NMRV NMRV-P	030	040	050	063	075	090	110	130	150
K1	85	100	100	150	200	200	250	250	250
G	14	14	14	14	25	25	30	30	30
KG	24	31,5	38,5	49	47,5	57,5	62	69	84
KH	8 +0,1/+0,05	10 +0,3/0	10 +0,3/0	10 +0,3/0	20 +0,3/0	20 +0,3/0	25 +0,3/0	25 +0,3/0	25 +0,3/0
R	15	18	18	18	30	30	35	35	35

16.4 OUTPUT SHAFT COVER



NMRV NMRV-P	N2
030	42
040	50
050	57,5
063	68,5
075	73,5
090	85,5
110	94
130	102
150	117

17.1 TXF+NMRV - PERFORMANCE

0,09 kW

n2 (a) [rpm]	n2 (b) [rpm]	M2 (a) [Nm]	M2 (b) [Nm]	fs (a)	fs (b)	i	Gear reducer	Motor	Fr2 [N]
113,0	22,0	5	16	4,8	2,0	5,00	TXF002+NMRV030	TS63A6	807
75,0	15,0	8	23	3,3	1,4	7,50	TXF002+NMRV030	TS63A6	924
57,0	11,0	10	29	2,6	1,1	10,00	TXF002+NMRV030	TS63A6	1017
38,0	7,3	13	40	1,9	0,8	15,00	TXF002+NMRV030	TS63A6	1164
38,0	7,3	14	43	4,4	1,7	15,00	TXF002+NMRV040	TS63A6	2241
28,0	5,5	18	54	3,2	1,2	20,00	TXF002+NMRV040	TS63A6	2467
23,0	4,4	22	63	2,4	1,0	25,00	TXF002+NMRV040	TS63A6	2657
19,0	3,6	24	68	2,6	1,1	30,00	TXF002+NMRV040	TS63A6	2824
14,0	2,7	29	82	2,0	0,8	40,00	TXF002+NMRV040	TS63A6	3108
14,0	2,7	29	83	3,6	1,5	40,00	TXF002+NMRV050	TS63A6	4266
11,0	2,2	34	98	2,8	1,2	50,00	TXF002+NMRV050	TS63A6	4595
9,4	1,8	38	108	2,3	1,0	60,00	TXF002+NMRV050	TS63A6	4840

0,12 kW

n2 (a) [rpm]	n2 (b) [rpm]	M2 (a) [Nm]	M2 (b) [Nm]	fs (a)	fs (b)	i	Gear reducer	Motor	Fr2 [N]
176,0	34,0	5	16	4,6	2,0	5,00	TXF002+NMRV030	TS63A4	697
117,0	23,0	7	23	3,1	1,4	7,50	TXF002+NMRV030	TS63A4	798
113,0	22,0	7	16	3,6	2,0	5,00	TXF002+NMRV030	TS63B6	807
88,0	17,0	9	29	2,4	1,1	10,00	TXF002+NMRV030	TS63A4	878
75,0	15,0	10	23	2,5	1,4	7,50	TXF002+NMRV030	TS63B6	924
59,0	11,0	12	40	1,7	0,8	15,00	TXF002+NMRV030	TS63A4	1005
59,0	11,0	13	43	3,9	1,7	15,00	TXF002+NMRV040	TS63A4	1934
57,0	11,0	13	29	2,0	1,1	10,00	TXF002+NMRV030	TS63B6	1017
57,0	11,0	13	30	4,4	2,4	10,00	TXF002+NMRV040	TS63B6	1958
44,0	8,5	16	54	2,9	1,2	20,00	TXF002+NMRV040	TS63A4	2129
38,0	7,3	18	40	1,4	0,8	15,00	TXF002+NMRV030	TS63B6	1164
38,0	7,3	19	43	3,3	1,7	15,00	TXF002+NMRV040	TS63B6	2241
35,0	6,8	20	63	2,3	1,0	25,00	TXF002+NMRV040	TS63A4	2293
29,0	5,7	22	68	2,4	1,1	30,00	TXF002+NMRV040	TS63A4	2437
28,0	5,5	24	54	2,4	1,2	20,00	TXF002+NMRV040	TS63B6	2467
23,0	4,4	29	63	1,8	1,0	25,00	TXF002+NMRV040	TS63B6	2657
22,0	4,3	27	82	1,8	0,8	40,00	TXF002+NMRV040	TS63A4	2682
22,0	4,3	28	83	3,2	1,5	40,00	TXF002+NMRV050	TS63A4	3681
19,0	3,6	31	68	2,0	1,1	30,00	TXF002+NMRV040	TS63B6	2824
18,0	3,4	32	98	2,5	1,2	50,00	TXF002+NMRV050	TS63A4	3966
15,0	2,8	36	108	2,1	1,0	60,00	TXF002+NMRV050	TS63A4	4214
14,0	2,7	39	82	1,5	0,8	40,00	TXF002+NMRV040	TS63B6	3108
14,0	2,7	39	83	2,7	1,5	40,00	TXF002+NMRV050	TS63B6	4266
11,0	2,2	46	98	2,1	1,2	50,00	TXF002+NMRV050	TS63B6	4595
9,4	1,8	51	108	1,7	1,0	60,00	TXF002+NMRV050	TS63B6	4840

0,15 kW

n2 (a) [rpm]	n2 (b) [rpm]	M2 (a) [Nm]	M2 (b) [Nm]	fs (a)	fs (b)	i	Gear reducer	Motor	Fr2 [N]
113,0	22,0	9	16	2,9	2,0	5,00	TXF002+NMRV030	TS63C6	807
75,0	15,0	12	23	2,0	1,4	7,50	TXF002+NMRV030	TS63C6	924
75,0	15,0	13	23	4,4	3,1	7,50	TXF002+NMRV040	TS63C6	1779
57,0	11,0	16	29	1,6	1,1	10,00	TXF002+NMRV030	TS63C6	1017
57,0	11,0	17	30	3,6	2,4	10,00	TXF002+NMRV040	TS63C6	1958
38,0	7,3	22	40	1,1	0,8	15,00	TXF002+NMRV030	TS63C6	1164
38,0	7,3	23	43	2,6	1,7	15,00	TXF002+NMRV040	TS63C6	2241

(a) Values relating to maximum speed

(b) Values relating to minimum speed

17.1 TXF+NMRV - PERFORMANCE

0,15 kW

n2 (a) [rpm]	n2 (b) [rpm]	M2 (a) [Nm]	M2 (b) [Nm]	fs (a)	fs (b)	i	Gear reducer	Motor	Fr2 [N]
28,0	5,5	30	54	1,9	1,2	20,00	TXF002+NMRV040	TS63C6	2467
23,0	4,4	36	63	1,4	1,0	25,00	TXF002+NMRV040	TS63C6	2657
19,0	3,6	39	68	1,6	1,1	30,00	TXF002+NMRV040	TS63C6	2824
14,0	2,7	48	82	1,2	0,8	40,00	TXF002+NMRV040	TS63C6	3108
14,0	2,7	49	83	2,1	1,5	40,00	TXF002+NMRV050	TS63C6	4266
11,0	2,2	57	98	1,7	1,2	50,00	TXF002+NMRV050	TS63C6	4595
9,4	1,8	64	108	1,4	1,0	60,00	TXF002+NMRV050	TS63C6	4840

0,18 kW

n2 (a) [rpm]	n2 (b) [rpm]	M2 (a) [Nm]	M2 (b) [Nm]	fs (a)	fs (b)	i	Gear reducer	Motor	Fr2 [N]
176,0	34,0	7	16	3,1	2,0	5,00	TXF002+NMRV030	TS63B4	697
117,0	23,0	10	23	2,1	1,4	7,50	TXF002+NMRV030	TS63B4	798
117,0	23,0	10	23	4,5	3,1	7,50	TXF002+NMRV040	TS63B4	1535
88,0	17,0	13	29	1,6	1,1	10,00	TXF002+NMRV030	TS63B4	878
88,0	17,0	13	30	3,6	2,4	10,00	TXF002+NMRV040	TS63B4	1690
86,0	15,0	14	35	4,1	2,1	7,50	TXF005+NMRV040	TS71A6	1705
64,0	11,0	18	45	3,3	1,6	10,00	TXF005+NMRV040	TS71A6	1876
59,0	11,0	18	40	1,2	0,8	15,00	TXF002+NMRV030	TS63B4	1005
59,0	11,0	19	43	2,6	1,7	15,00	TXF002+NMRV040	TS63B4	1934
44,0	8,5	25	54	2,0	1,2	20,00	TXF002+NMRV040	TS63B4	2129
43,0	7,3	25	64	2,5	1,1	15,00	TXF005+NMRV040	TS71A6	2148
43,0	7,3	25	64	4,5	2,1	15,00	TXF005+NMRV050	TS71A6	2948
35,0	6,8	30	63	1,5	1,0	25,00	TXF002+NMRV040	TS63B4	2293
32,0	5,5	32	80	1,8	0,8	20,00	TXF005+NMRV040	TS71A6	2364
32,0	5,5	32	80	3,1	1,5	20,00	TXF005+NMRV050	TS71A6	3244
29,0	5,7	33	68	1,6	1,1	30,00	TXF002+NMRV040	TS63B4	2437
26,0	4,4	39	98	4,5	2,4	25,00	TXF005+NMRV-P063	TS71A6	4568
26,0	4,4	38	95	2,4	1,2	25,00	TXF005+NMRV050	TS71A6	3495
22,0	4,3	41	82	1,2	0,8	40,00	TXF002+NMRV040	TS63B4	2682
22,0	4,3	41	83	2,1	1,5	40,00	TXF002+NMRV050	TS63B4	3681
21,0	3,6	43	107	4,9	2,7	30,00	TXF005+NMRV-P063	TS71A6	4854
21,0	3,6	42	103	1,5	0,7	30,00	TXF005+NMRV040	TS71A6	2706
21,0	3,6	42	104	2,7	1,4	30,00	TXF005+NMRV050	TS71A6	3714
18,0	3,4	49	98	1,7	1,2	50,00	TXF002+NMRV050	TS63B4	3966
16,0	2,7	54	130	3,8	2,0	40,00	TXF005+NMRV-P063	TS71A6	5343
16,0	2,7	52	125	2,0	1,0	40,00	TXF005+NMRV050	TS71A6	4088
15,0	2,8	54	108	1,4	1,0	60,00	TXF002+NMRV050	TS63B4	4214
13,0	2,2	62	151	3,1	1,6	50,00	TXF005+NMRV-P063	TS71A6	5756
13,0	2,2	65	156	4,8	2,4	50,00	TXF005+NMRV-P075	TS71A6	6793
13,0	2,2	61	147	1,6	0,8	50,00	TXF005+NMRV050	TS71A6	4403
11,0	1,8	70	166	2,6	1,3	60,00	TXF005+NMRV-P063	TS71A6	6116
11,0	1,8	74	176	4,0	2,0	60,00	TXF005+NMRV-P075	TS71A6	7219
8,0	1,4	84	192	1,8	0,9	80,00	TXF005+NMRV-P063	TS71A6	6270
8,0	1,4	87	208	2,8	1,4	80,00	TXF005+NMRV-P075	TS71A6	7380
6,4	1,1	94	210	1,4	0,7	100,00	TXF005+NMRV-P063	TS71A6	6270
6,4	1,1	100	228	2,1	1,0	100,00	TXF005+NMRV-P075	TS71A6	7380

0,22 kW

n2 (a) [rpm]	n2 (b) [rpm]	M2 (a) [Nm]	M2 (b) [Nm]	fs (a)	fs (b)	i	Gear reducer	Motor	Fr2 [N]
176,0	34,0	8	16	2,5	2,0	5,00	TXF002+NMRV030	TS63C4	697

(a) Values relating to maximum speed

(b) Values relating to minimum speed

17.1 TXF+NMRV - PERFORMANCE

0,22 kW

n2 (a) [rpm]	n2 (b) [rpm]	M2 (a) [Nm]	M2 (b) [Nm]	fs (a)	fs (b)	i	Gear reducer	Motor	Fr2 [N]
176,0	34,0	9	16	4,9	4,2	5,00	TXF002+NMRV040	TS63C4	1341
117,0	23,0	12	23	1,7	1,4	7,50	TXF002+NMRV030	TS63C4	798
117,0	23,0	13	23	3,6	3,1	7,50	TXF002+NMRV040	TS63C4	1535
88,0	17,0	16	29	1,3	1,1	10,00	TXF002+NMRV030	TS63C4	878
88,0	17,0	16	30	2,9	2,4	10,00	TXF002+NMRV040	TS63C4	1690
59,0	11,0	22	40	0,9	0,8	15,00	TXF002+NMRV030	TS63C4	1005
59,0	11,0	23	43	2,1	1,7	15,00	TXF002+NMRV040	TS63C4	1934
44,0	8,5	30	54	1,6	1,2	20,00	TXF002+NMRV040	TS63C4	2129
35,0	6,8	36	63	1,2	1,0	25,00	TXF002+NMRV040	TS63C4	2293
29,0	5,7	40	68	1,3	1,1	30,00	TXF002+NMRV040	TS63C4	2437
22,0	4,3	50	82	1,0	0,8	40,00	TXF002+NMRV040	TS63C4	2682
22,0	4,3	51	83	1,7	1,5	40,00	TXF002+NMRV050	TS63C4	3681
18,0	3,4	59	98	1,4	1,2	50,00	TXF002+NMRV050	TS63C4	3966
15,0	2,8	67	108	1,1	1,0	60,00	TXF002+NMRV050	TS63C4	4214

0,25 kW

n2 (a) [rpm]	n2 (b) [rpm]	M2 (a) [Nm]	M2 (b) [Nm]	fs (a)	fs (b)	i	Gear reducer	Motor	Fr2 [N]
352,0	68,0	5	16	3,6	2,0	5,00	TXF002+NMRV030	TS63B2	553
235,0	45,0	7	23	2,5	1,4	7,50	TXF002+NMRV030	TS63B2	633
200,0	34,0	9	24	4,9	2,8	5,00	TXF005+NMRV040	TS71A4	1285
176,0	34,0	10	16	2,2	2,0	5,00	TXF002+NMRV030	TS63D4	697
176,0	34,0	10	30	1,9	1,1	10,00	TXF002+NMRV030	TS63B2	697
176,0	34,0	10	16	4,3	4,2	5,00	TXF002+NMRV040	TS63D4	1341
176,0	34,0	10	31	4,3	2,3	10,00	TXF002+NMRV040	TS63B2	1341
133,0	23,0	13	35	3,6	2,1	7,50	TXF005+NMRV040	TS71A4	1471
129,0	22,0	13	24	4,0	2,8	5,00	TXF005+NMRV040	TS71B6	1489
117,0	23,0	14	23	1,5	1,4	7,50	TXF002+NMRV030	TS63D4	798
117,0	23,0	13	41	1,3	0,7	15,00	TXF002+NMRV030	TS63B2	798
117,0	23,0	14	23	3,2	3,1	7,50	TXF002+NMRV040	TS63D4	1535
117,0	23,0	14	44	2,9	1,6	15,00	TXF002+NMRV040	TS63B2	1535
100,0	17,0	17	45	2,9	1,6	10,00	TXF005+NMRV040	TS71A4	1619
88,0	17,0	18	29	1,2	1,1	10,00	TXF002+NMRV030	TS63D4	878
88,0	17,0	19	30	2,6	2,4	10,00	TXF002+NMRV040	TS63D4	1690
88,0	17,0	18	55	2,3	1,2	20,00	TXF002+NMRV040	TS63B2	1690
86,0	15,0	19	35	3,0	2,1	7,50	TXF005+NMRV040	TS71B6	1705
70,0	14,0	22	65	1,7	0,9	25,00	TXF002+NMRV040	TS63B2	1820
67,0	11,0	24	64	2,1	1,1	15,00	TXF005+NMRV040	TS71A4	1853
67,0	11,0	24	64	3,9	2,1	15,00	TXF005+NMRV050	TS71A4	2544
64,0	11,0	24	45	2,4	1,6	10,00	TXF005+NMRV040	TS71B6	1876
64,0	11,0	25	46	4,6	3,0	10,00	TXF005+NMRV050	TS71B6	2575
59,0	11,0	25	40	0,8	0,8	15,00	TXF002+NMRV030	TS63D4	1005
59,0	11,0	27	43	1,9	1,7	15,00	TXF002+NMRV040	TS63D4	1934
59,0	11,0	24	71	1,9	1,0	30,00	TXF002+NMRV040	TS63B2	1934
50,0	8,5	30	80	1,6	0,8	20,00	TXF005+NMRV040	TS71A4	2040
50,0	8,5	31	80	2,7	1,5	20,00	TXF005+NMRV050	TS71A4	2800
44,0	8,5	34	54	1,4	1,2	20,00	TXF002+NMRV040	TS63D4	2129
44,0	8,5	30	85	1,4	0,8	40,00	TXF002+NMRV040	TS63B2	2129
44,0	8,5	31	86	2,5	1,4	40,00	TXF002+NMRV050	TS63B2	2922
43,0	7,3	34	64	1,8	1,1	15,00	TXF005+NMRV040	TS71B6	2148
43,0	7,3	35	64	3,2	2,1	15,00	TXF005+NMRV050	TS71B6	2948
40,0	6,8	38	98	3,9	2,4	25,00	TXF005+NMRV-P063	TS71A4	3943
40,0	6,8	37	95	2,1	1,2	25,00	TXF005+NMRV050	TS71A4	3016
35,0	6,8	41	63	1,1	1,0	25,00	TXF002+NMRV040	TS63D4	2293
35,0	6,8	37	100	2,0	1,2	50,00	TXF002+NMRV050	TS63B2	3148

(a) Values relating to maximum speed

(b) Values relating to minimum speed

17.1 TXF+NMRV - PERFORMANCE

0,25 kW

n2 (a) [rpm]	n2 (b) [rpm]	M2 (a) [Nm]	M2 (b) [Nm]	fs (a)	fs (b)	i	Gear reducer	Motor	Fr2 [N]
33,0	5,7	42	107	4,2	2,7	30,00	TXF005+NMRV-P063	TS71A4	4190
33,0	5,7	40	103	1,3	0,7	30,00	TXF005+NMRV040	TS71A4	2335
33,0	5,7	41	104	2,3	1,4	30,00	TXF005+NMRV050	TS71A4	3205
32,0	5,5	45	82	4,3	3,1	20,00	TXF005+NMRV-P063	TS71B6	4241
32,0	5,5	44	80	1,3	0,8	20,00	TXF005+NMRV040	TS71B6	2364
32,0	5,5	45	80	2,2	1,5	20,00	TXF005+NMRV050	TS71B6	3244
29,0	5,7	45	68	1,2	1,1	30,00	TXF002+NMRV040	TS63D4	2437
29,0	5,7	41	110	1,7	1,0	60,00	TXF002+NMRV050	TS63B2	3345
26,0	4,4	54	98	3,3	2,4	25,00	TXF005+NMRV-P063	TS71B6	4568
26,0	4,4	53	95	1,7	1,2	25,00	TXF005+NMRV050	TS71B6	3495
25,0	4,3	53	130	3,3	2,0	40,00	TXF005+NMRV-P063	TS71A4	4611
25,0	4,3	51	125	1,7	1,0	40,00	TXF005+NMRV050	TS71A4	3528
22,0	4,3	57	82	0,9	0,8	40,00	TXF002+NMRV040	TS63D4	2682
22,0	4,3	58	83	1,5	1,5	40,00	TXF002+NMRV050	TS63D4	3681
21,0	3,6	60	107	3,6	2,7	30,00	TXF005+NMRV-P063	TS71B6	4854
21,0	3,6	58	103	1,1	0,7	30,00	TXF005+NMRV040	TS71B6	2706
21,0	3,6	59	104	1,9	1,4	30,00	TXF005+NMRV050	TS71B6	3714
20,0	3,4	62	151	2,6	1,6	50,00	TXF005+NMRV-P063	TS71A4	4967
20,0	3,4	64	156	4,0	2,4	50,00	TXF005+NMRV-P075	TS71A4	5863
20,0	3,4	60	147	1,4	0,8	50,00	TXF005+NMRV050	TS71A4	3800
17,0	2,8	70	166	2,2	1,3	60,00	TXF005+NMRV-P063	TS71A4	5279
17,0	2,8	74	176	3,3	2,0	60,00	TXF005+NMRV-P075	TS71A4	6231
16,0	2,7	75	130	2,8	2,0	40,00	TXF005+NMRV-P063	TS71B6	5343
16,0	2,7	77	138	4,4	3,0	40,00	TXF005+NMRV-P075	TS71B6	6307
16,0	2,7	72	125	1,4	1,0	40,00	TXF005+NMRV050	TS71B6	4088
15,0	2,8	76	108	1,0	1,0	60,00	TXF002+NMRV050	TS63D4	4214
13,0	2,2	86	151	2,3	1,6	50,00	TXF005+NMRV-P063	TS71B6	5756
13,0	2,2	91	156	3,5	2,4	50,00	TXF005+NMRV-P075	TS71B6	6793
13,0	2,2	85	147	1,1	0,8	50,00	TXF005+NMRV050	TS71B6	4403
13,0	2,1	84	192	1,6	0,9	80,00	TXF005+NMRV-P063	TS71A4	5810
13,0	2,1	89	208	2,5	1,4	80,00	TXF005+NMRV-P075	TS71A4	6858
11,0	1,8	98	166	1,8	1,3	60,00	TXF005+NMRV-P063	TS71B6	6116
11,0	1,8	103	176	2,9	2,0	60,00	TXF005+NMRV-P075	TS71B6	7219
10,0	1,7	95	210	1,3	0,7	100,00	TXF005+NMRV-P063	TS71A4	6259
10,0	1,7	101	228	1,9	1,0	100,00	TXF005+NMRV-P075	TS71A4	7380
8,0	1,4	116	192	1,3	0,9	80,00	TXF005+NMRV-P063	TS71B6	6270
8,0	1,4	121	208	2,0	1,4	80,00	TXF005+NMRV-P075	TS71B6	7380
6,4	1,1	130	210	1,0	0,7	100,00	TXF005+NMRV-P063	TS71B6	6270
6,4	1,1	139	228	1,5	1,0	100,00	TXF005+NMRV-P075	TS71B6	7380

0,37 kW

n2 (a) [rpm]	n2 (b) [rpm]	M2 (a) [Nm]	M2 (b) [Nm]	fs (a)	fs (b)	i	Gear reducer	Motor	Fr2 [N]
352,0	68,0	7	16	2,5	2,0	5,00	TXF002+NMRV030	TS63C2	553
352,0	68,0	8	17	4,5	4,1	5,00	TXF002+NMRV040	TS63C2	1064
267,0	45,0	10	36	4,1	2,0	7,50	TXF005+NMRV040	TS71A2	1168
235,0	45,0	11	23	1,7	1,4	7,50	TXF002+NMRV030	TS63C2	633
235,0	45,0	11	24	3,6	3,0	7,50	TXF002+NMRV040	TS63C2	1218
200,0	34,0	13	24	3,3	2,8	5,00	TXF005+NMRV040	TS71B4	1285
200,0	34,0	13	46	3,3	1,5	10,00	TXF005+NMRV040	TS71A2	1285
176,0	34,0	14	30	1,3	1,1	10,00	TXF002+NMRV030	TS63C2	697
176,0	34,0	14	31	2,9	2,3	10,00	TXF002+NMRV040	TS63C2	1341
133,0	23,0	19	35	2,5	2,1	7,50	TXF005+NMRV040	TS71B4	1471
133,0	23,0	19	66	2,2	1,1	15,00	TXF005+NMRV040	TS71A2	1471
133,0	23,0	19	36	4,8	3,9	7,50	TXF005+NMRV050	TS71B4	2019

(a) Values relating to maximum speed

(b) Values relating to minimum speed

17.1 TXF+NMRV - PERFORMANCE

0,37 kW

n2 (a) [rpm]	n2 (b) [rpm]	M2 (a) [Nm]	M2 (b) [Nm]	fs (a)	fs (b)	i	Gear reducer	Motor	Fr2 [N]
133,0	23,0	19	66	4,1	2,1	15,00	TXF005+NMRV050	TS71A2	2019
117,0	23,0	20	41	0,9	0,7	15,00	TXF002+NMRV030	TS63C2	798
117,0	23,0	21	44	2,0	1,6	15,00	TXF002+NMRV040	TS63C2	1535
100,0	17,0	24	45	2,0	1,6	10,00	TXF005+NMRV040	TS71B4	1619
100,0	17,0	24	83	1,7	0,8	20,00	TXF005+NMRV040	TS71A2	1619
100,0	17,0	25	46	3,7	3,0	10,00	TXF005+NMRV050	TS71B4	2222
100,0	17,0	24	83	3,1	1,4	20,00	TXF005+NMRV050	TS71A2	2222
88,0	17,0	27	55	1,5	1,2	20,00	TXF002+NMRV040	TS63C2	1690
86,0	15,0	28	36	4,0	3,9	7,50	TXF005+NMRV050	TS71C6/80A6	2340
86,0	15,0	28	71	4,0	2,0	7,50	TXF010+NMRV050	TS80A6	2340
80,0	14,0	30	101	4,3	2,3	25,00	TXF005+NMRV-P063	TS71A2	3129
80,0	14,0	29	98	2,3	1,1	25,00	TXF005+NMRV050	TS71A2	2394
70,0	14,0	32	65	1,2	0,9	25,00	TXF002+NMRV040	TS63C2	1820
67,0	11,0	36	65	4,7	4,2	15,00	TXF005+NMRV-P063	TS71B4	3325
67,0	11,0	34	110	4,5	2,5	30,00	TXF005+NMRV-P063	TS71A2	3325
67,0	11,0	35	64	1,4	1,1	15,00	TXF005+NMRV040	TS71B4	1853
67,0	11,0	35	64	2,6	2,1	15,00	TXF005+NMRV050	TS71B4	2544
67,0	11,0	33	108	2,6	1,3	30,00	TXF005+NMRV050	TS71A2	2544
64,0	11,0	36	45	1,6	1,6	10,00	TXF005+NMRV040	TS71C6/80A6	1876
64,0	11,0	37	46	3,1	3,0	10,00	TXF005+NMRV050	TS71C6/80A6	2575
64,0	11,0	37	92	3,1	1,5	10,00	TXF010+NMRV050	TS80A6	2575
59,0	11,0	36	71	1,3	1,0	30,00	TXF002+NMRV040	TS63C2	1934
50,0	8,5	46	82	3,6	3,1	20,00	TXF005+NMRV-P063	TS71B4	3660
50,0	8,5	43	134	3,3	1,9	40,00	TXF005+NMRV-P063	TS71A2	3660
50,0	8,5	45	80	1,1	0,8	20,00	TXF005+NMRV040	TS71B4	2040
50,0	8,5	45	80	1,8	1,5	20,00	TXF005+NMRV050	TS71B4	2800
50,0	8,5	41	130	1,9	1,0	40,00	TXF005+NMRV050	TS71A2	2800
44,0	8,5	45	85	1,0	0,8	40,00	TXF002+NMRV040	TS63C2	2129
44,0	8,5	46	86	1,7	1,4	40,00	TXF002+NMRV050	TS63C2	2922
43,0	7,3	51	64	1,2	1,1	15,00	TXF005+NMRV040	TS71C6/80A6	2148
43,0	7,3	52	64	2,2	2,1	15,00	TXF005+NMRV050	TS71C6/80A6	2948
43,0	7,3	52	131	3,8	2,1	15,00	TXF010+NMRV-P063	TS80A6	3853
43,0	7,3	52	128	2,2	1,1	15,00	TXF010+NMRV050	TS80A6	2948
40,0	6,8	56	98	2,7	2,4	25,00	TXF005+NMRV-P063	TS71B4	3943
40,0	6,8	51	156	2,7	1,5	50,00	TXF005+NMRV-P063	TS71A2	3943
40,0	6,8	57	101	4,2	3,8	25,00	TXF005+NMRV-P075	TS71B4	4654
40,0	6,8	53	162	4,0	2,3	50,00	TXF005+NMRV-P075	TS71A2	4654
40,0	6,8	54	95	1,4	1,2	25,00	TXF005+NMRV050	TS71B4	3016
40,0	6,8	48	150	1,5	0,8	50,00	TXF005+NMRV050	TS71A2	3016
35,0	6,8	54	100	1,3	1,2	50,00	TXF002+NMRV050	TS63C2	3148
33,0	5,7	63	107	2,8	2,7	30,00	TXF005+NMRV-P063	TS71B4	4190
33,0	5,7	58	173	2,2	1,3	60,00	TXF005+NMRV-P063	TS71A2	4190
33,0	5,7	65	112	4,4	4,0	30,00	TXF005+NMRV-P075	TS71B4	4945
33,0	5,7	60	184	3,3	1,9	60,00	TXF005+NMRV-P075	TS71A2	4945
33,0	5,7	59	103	0,9	0,7	30,00	TXF005+NMRV040	TS71B4	2335
33,0	5,7	61	104	1,5	1,4	30,00	TXF005+NMRV050	TS71B4	3205
32,0	5,5	65	80	0,9	0,8	20,00	TXF005+NMRV040	TS71C6/80A6	2364
32,0	5,5	66	80	1,5	1,5	20,00	TXF005+NMRV050	TS71C6/80A6	3244
32,0	5,5	67	164	2,9	1,5	20,00	TXF010+NMRV-P063	TS80A6	4241
32,0	5,5	69	169	4,7	2,5	20,00	TXF010+NMRV-P075	TS80A6	5005
32,0	5,5	66	161	1,5	0,7	20,00	TXF010+NMRV050	TS80A6	3244
29,0	5,7	61	110	1,1	1,0	60,00	TXF002+NMRV050	TS63C2	3345
26,0	4,4	78	95	1,2	1,2	25,00	TXF005+NMRV050	TS71C6/80A6	3495
26,0	4,4	80	196	2,2	1,2	25,00	TXF010+NMRV-P063	TS80A6	4568
26,0	4,4	83	202	3,5	1,9	25,00	TXF010+NMRV-P075	TS80A6	5392
25,0	4,3	78	130	2,2	2,0	40,00	TXF005+NMRV-P063	TS71B4	4611
25,0	4,3	71	202	1,6	0,9	80,00	TXF005+NMRV-P063	TS71A2	4611
25,0	4,3	81	138	3,4	3,0	40,00	TXF005+NMRV-P075	TS71B4	5443

(a) Values relating to maximum speed

(b) Values relating to minimum speed

17.1 TXF+NMRV - PERFORMANCE

0,37 kW

n2 (a) [rpm]	n2 (b) [rpm]	M2 (a) [Nm]	M2 (b) [Nm]	fs (a)	fs (b)	i	Gear reducer	Motor	Fr2 [N]
25,0	4,3	75	216	2,5	1,3	80,00	TXF005+NMRV-P075	TS71A2	5443
25,0	4,3	75	125	1,2	1,0	40,00	TXF005+NMRV050	TS71B4	3528
21,0	3,6	86	103	0,7	0,7	30,00	TXF005+NMRV040	TS71C6/80A6	2706
21,0	3,6	89	214	2,4	1,3	30,00	TXF010+NMRV-P063	TS80A6	4854
21,0	3,6	93	224	3,7	2,0	30,00	TXF010+NMRV-P075	TS80A6	5730
20,0	3,4	91	151	1,8	1,6	50,00	TXF005+NMRV-P063	TS71B4	4967
20,0	3,4	94	156	2,7	2,4	50,00	TXF005+NMRV-P075	TS71B4	5863
20,0	3,4	86	240	2,0	1,0	100,00	TXF005+NMRV-P075	TS71A2	5863
20,0	3,4	88	147	0,9	0,8	50,00	TXF005+NMRV050	TS71B4	3800
17,0	2,8	104	166	1,5	1,3	60,00	TXF005+NMRV-P063	TS71B4	5279
17,0	2,8	110	176	2,3	2,0	60,00	TXF005+NMRV-P075	TS71B4	6231
16,0	2,7	111	259	1,9	1,0	40,00	TXF005+NMRV-P063	TS80A6	5343
16,0	2,7	114	275	2,9	1,5	40,00	TXF010+NMRV-P075	TS80A6	6307
16,0	2,7	120	290	4,4	2,1	40,00	TXF010+NMRV-P090	TS80A6	6978
13,0	2,2	127	302	1,5	0,8	50,00	TXF010+NMRV-P063	TS80A6	5756
13,0	2,2	134	312	2,3	1,2	50,00	TXF010+NMRV-P075	TS80A6	6793
13,0	2,2	143	336	3,5	1,7	50,00	TXF010+NMRV-P090	TS80A6	7517
13,0	2,1	125	192	1,1	0,9	80,00	TXF005+NMRV-P063	TS71B4	5810
13,0	2,1	132	208	1,7	1,4	80,00	TXF005+NMRV-P075	TS71B4	6858
11,0	1,8	153	176	2,0	2,0	60,00	TXF005+NMRV-P075	TS71C6/80A6	7219
11,0	1,8	153	353	2,0	1,0	60,00	TXF010+NMRV-P075	TS80A6	7219
11,0	1,8	161	374	2,7	1,3	60,00	TXF010+NMRV-P090	TS80A6	7988
11,0	1,8	172	403	4,5	2,5	60,00	TXF010+NMRV-P110	TS80A6	10093
10,0	1,7	141	210	0,9	0,7	100,00	TXF005+NMRV-P063	TS71B4	6259
10,0	1,7	150	228	1,3	1,0	100,00	TXF005+NMRV-P075	TS71B4	7380
8,0	1,4	179	208	1,4	1,4	80,00	TXF005+NMRV-P075	TS71C6/80A6	7380
8,0	1,4	193	454	1,9	1,0	80,00	TXF010+NMRV-P090	TS80A6	8180
8,0	1,4	207	493	3,2	1,7	80,00	TXF010+NMRV-P110	TS80A6	10320
8,0	1,4	211	490	4,6	2,5	80,00	TXF010+NMRV130	TS80A6	13500
6,4	1,1	206	228	1,0	1,0	100,00	TXF005+NMRV-P075	TS71C6/80A6	7380
6,4	1,1	224	504	1,5	0,8	100,00	TXF010+NMRV-P090	TS80A6	8180
6,4	1,1	241	552	2,5	1,4	100,00	TXF010+NMRV-P110	TS80A6	10320
6,4	1,1	241	564	3,6	2,0	100,00	TXF010+NMRV130	TS80A6	13500

0,55 kW

n2 (a) [rpm]	n2 (b) [rpm]	M2 (a) [Nm]	M2 (b) [Nm]	fs (a)	fs (b)	i	Gear reducer	Motor	Fr2 [N]
400,0	68,0	10	25	3,5	2,7	5,00	TXF005+NMRV040	TS71B2	1020
267,0	45,0	15	36	2,7	2,0	7,50	TXF005+NMRV040	TS71B2	1168
267,0	45,0	15	36	5,0	3,8	7,50	TXF005+NMRV050	TS71B2	1603
200,0	34,0	19	46	2,2	1,5	10,00	TXF005+NMRV040	TS71B2	1285
200,0	34,0	19	47	3,9	2,9	10,00	TXF005+NMRV050	TS71B2	1764
200,0	34,0	19	49	4,3	2,6	5,00	TXF010+NMRV050	TS80A4	1764
133,0	23,0	28	67	4,9	3,9	15,00	TXF005+NMRV-P063	TS71B2	2639
133,0	23,0	28	66	1,5	1,1	15,00	TXF005+NMRV040	TS71B2	1471
133,0	23,0	28	66	2,8	2,1	15,00	TXF005+NMRV050	TS71B2	2019
133,0	23,0	28	71	3,2	2,0	7,50	TXF010+NMRV050	TS80A4	2019
129,0	22,0	29	49	3,5	2,6	5,00	TXF010+NMRV050	TS80B6	2044
100,0	17,0	37	84	3,8	3,0	20,00	TXF005+NMRV-P063	TS71B2	2905
100,0	17,0	35	83	1,2	0,8	20,00	TXF005+NMRV040	TS71B2	1619
100,0	17,0	36	83	2,1	1,4	20,00	TXF005+NMRV050	TS71B2	2222
100,0	17,0	37	94	4,1	2,9	10,00	TXF010+NMRV-P063	TS80A4	2905
100,0	17,0	37	92	2,5	1,5	10,00	TXF010+NMRV050	TS80A4	2222
86,0	15,0	43	74	4,3	3,7	7,50	TXF010+NMRV-P063	TS80B6	3058
86,0	15,0	42	71	2,7	2,0	7,50	TXF010+NMRV050	TS80B6	2340

(a) Values relating to maximum speed

(b) Values relating to minimum speed

17.1 TXF+NMRV - PERFORMANCE

0,55 kW

n2 (a) [rpm]	n2 (b) [rpm]	M2 (a) [Nm]	M2 (b) [Nm]	fs (a)	fs (b)	i	Gear reducer	Motor	Fr2 [N]
80,0	14,0	44	101	2,9	2,3	25,00	TXF005+NMRV-P063	TS71B2	3129
80,0	14,0	45	104	4,4	3,7	25,00	TXF005+NMRV-P075	TS71B2	3694
80,0	14,0	43	98	1,6	1,1	25,00	TXF005+NMRV050	TS71B2	2394
67,0	11,0	51	110	3,0	2,5	30,00	TXF005+NMRV-P063	TS71B2	3325
67,0	11,0	52	115	4,4	3,9	30,00	TXF005+NMRV-P075	TS71B2	3925
67,0	11,0	49	108	1,7	1,3	30,00	TXF005+NMRV050	TS71B2	2544
67,0	11,0	54	131	3,2	2,1	15,00	TXF010+NMRV-P063	TS80A4	3325
67,0	11,0	54	134	4,8	3,2	15,00	TXF010+NMRV-P075	TS80A4	3925
67,0	11,0	53	128	1,8	1,1	15,00	TXF010+NMRV050	TS80A4	2544
64,0	11,0	54	94	3,4	2,9	10,00	TXF010+NMRV-P063	TS80B6	3366
64,0	11,0	55	95	4,9	4,5	10,00	TXF010+NMRV-P075	TS80B6	3973
64,0	11,0	54	92	2,1	1,5	10,00	TXF010+NMRV050	TS80B6	2575
50,0	8,5	64	134	2,2	1,9	40,00	TXF005+NMRV-P063	TS71B2	3660
50,0	8,5	66	142	3,5	2,9	40,00	TXF005+NMRV-P075	TS71B2	4320
50,0	8,5	60	130	1,3	1,0	40,00	TXF005+NMRV050	TS71B2	2800
50,0	8,5	68	164	2,4	1,5	20,00	TXF010+NMRV-P063	TS80A4	3660
50,0	8,5	70	169	3,8	2,5	20,00	TXF010+NMRV-P075	TS80A4	4320
50,0	8,5	67	161	1,2	0,7	20,00	TXF010+NMRV050	TS80A4	2800
43,0	7,3	78	131	2,6	2,1	15,00	TXF010+NMRV-P063	TS80B6	3853
43,0	7,3	80	134	4,0	3,2	15,00	TXF010+NMRV-P075	TS80B6	4548
43,0	7,3	77	128	1,5	1,1	15,00	TXF010+NMRV050	TS80B6	2948
40,0	6,8	76	156	1,8	1,5	50,00	TXF005+NMRV-P063	TS71B2	3943
40,0	6,8	79	162	2,7	2,3	50,00	TXF005+NMRV-P075	TS71B2	4654
40,0	6,8	71	150	1,0	0,8	50,00	TXF005+NMRV050	TS71B2	3016
40,0	6,8	83	196	1,8	1,2	25,00	TXF010+NMRV-P063	TS80A4	3943
40,0	6,8	85	202	2,8	1,9	25,00	TXF010+NMRV-P075	TS80A4	4654
40,0	6,8	88	212	4,7	2,7	25,00	TXF010+NMRV-P090	TS80A4	5149
33,0	5,7	86	173	1,5	1,3	60,00	TXF005+NMRV-P063	TS71B2	4190
33,0	5,7	90	184	2,2	1,9	60,00	TXF005+NMRV-P075	TS71B2	4945
33,0	5,7	93	214	1,9	1,3	30,00	TXF010+NMRV-P063	TS80A4	4190
33,0	5,7	97	224	2,9	2,0	30,00	TXF010+NMRV-P075	TS80A4	4945
33,0	5,7	100	235	4,9	3,0	30,00	TXF010+NMRV-P090	TS80A4	5472
32,0	5,5	100	164	1,9	1,5	20,00	TXF010+NMRV-P063	TS80B6	4241
32,0	5,5	102	169	3,2	2,5	20,00	TXF010+NMRV-P075	TS80B6	5005
32,0	5,5	105	177	4,9	3,5	20,00	TXF010+NMRV-P090	TS80B6	5538
32,0	5,5	98	161	1,0	0,7	20,00	TXF010+NMRV050	TS80B6	3244
26,0	4,4	120	196	1,5	1,2	25,00	TXF010+NMRV-P063	TS80B6	4568
26,0	4,4	123	202	2,4	1,9	25,00	TXF010+NMRV-P075	TS80B6	5392
26,0	4,4	126	212	3,8	2,7	25,00	TXF010+NMRV-P090	TS80B6	5966
25,0	4,3	106	202	1,1	0,9	80,00	TXF005+NMRV-P063	TS71B2	4611
25,0	4,3	111	216	1,7	1,3	80,00	TXF005+NMRV-P075	TS71B2	5443
25,0	4,3	116	259	1,5	1,0	40,00	TXF010+NMRV-P063	TS80A4	4611
25,0	4,3	121	275	2,3	1,5	40,00	TXF010+NMRV-P075	TS80A4	5443
25,0	4,3	126	290	3,6	2,1	40,00	TXF010+NMRV-P090	TS80A4	6022
21,0	3,6	132	214	1,6	1,3	30,00	TXF010+NMRV-P063	TS80B6	4854
21,0	3,6	138	224	2,5	2,0	30,00	TXF010+NMRV-P075	TS80B6	5730
21,0	3,6	144	235	4,0	3,0	30,00	TXF010+NMRV-P090	TS80B6	6340
20,0	3,4	127	240	1,3	1,0	100,00	TXF005+NMRV-P075	TS71B2	5863
20,0	3,4	136	302	1,2	0,8	50,00	TXF010+NMRV-P063	TS80A4	4967
20,0	3,4	140	312	1,8	1,2	50,00	TXF010+NMRV-P075	TS80A4	5863
20,0	3,4	151	336	2,8	1,7	50,00	TXF010+NMRV-P090	TS80A4	6487
20,0	3,4	158	362	4,7	3,0	50,00	TXF010+NMRV-P110	TS80A4	8198
17,0	2,8	163	353	1,5	1,0	60,00	TXF010+NMRV-P075	TS80A4	6231
17,0	2,8	171	374	2,3	1,3	60,00	TXF010+NMRV-P090	TS80A4	6894
17,0	2,8	181	403	3,8	2,5	60,00	TXF010+NMRV-P110	TS80A4	8711
16,0	2,7	165	259	1,3	1,0	40,00	TXF010+NMRV-P063	TS80B6	5343
16,0	2,7	170	275	2,0	1,5	40,00	TXF010+NMRV-P075	TS80B6	6307
16,0	2,7	178	290	3,0	2,1	40,00	TXF010+NMRV-P090	TS80B6	6978

(a) Values relating to maximum speed

(b) Values relating to minimum speed

17.1 TXF+NMRV - PERFORMANCE

0,55 kW

n2 (a) [rpm]	n2 (b) [rpm]	M2 (a) [Nm]	M2 (b) [Nm]	fs (a)	fs (b)	i	Gear reducer	Motor	Fr2 [N]
16,0	2,7	189	302	4,9	3,9	40,00	TXF010+NMRV-P110	TS80B6	8817
13,0	2,2	189	302	1,0	0,8	50,00	TXF010+NMRV-P063	TS80B6	5756
13,0	2,2	199	312	1,6	1,2	50,00	TXF010+NMRV-P075	TS80B6	6793
13,0	2,2	213	336	2,3	1,7	50,00	TXF010+NMRV-P090	TS80B6	7517
13,0	2,2	223	362	4,0	3,0	50,00	TXF010+NMRV-P110	TS80B6	9498
13,0	2,1	210	454	1,5	1,0	80,00	TXF010+NMRV-P090	TS80A4	7588
13,0	2,1	224	493	2,5	1,7	80,00	TXF010+NMRV-P110	TS80A4	9588
13,0	2,1	228	490	3,8	2,5	80,00	TXF010+NMRV130	TS80A4	12540
11,0	1,8	227	353	1,3	1,0	60,00	TXF010+NMRV-P075	TS80B6	7219
11,0	1,8	239	374	1,8	1,3	60,00	TXF010+NMRV-P090	TS80B6	7988
11,0	1,8	255	403	3,1	2,5	60,00	TXF010+NMRV-P110	TS80B6	10093
10,0	1,7	241	504	1,2	0,8	100,00	TXF010+NMRV-P090	TS80A4	8174
10,0	1,7	258	552	2,0	1,4	100,00	TXF010+NMRV-P110	TS80A4	10320
10,0	1,7	263	564	3,0	2,0	100,00	TXF010+NMRV130	TS80A4	13500
8,0	1,4	287	454	1,3	1,0	80,00	TXF010+NMRV-P090	TS80B6	8180
8,0	1,4	308	493	2,1	1,7	80,00	TXF010+NMRV-P110	TS80B6	10320
8,0	1,4	314	490	3,1	2,5	80,00	TXF010+NMRV130	TS80B6	13500
6,4	1,1	332	504	1,0	0,8	100,00	TXF010+NMRV-P090	TS80B6	8180
6,4	1,1	359	552	1,7	1,4	100,00	TXF010+NMRV-P110	TS80B6	10320
6,4	1,1	359	564	2,4	2,0	100,00	TXF010+NMRV130	TS80B6	13500

0,75 kW

n2 (a) [rpm]	n2 (b) [rpm]	M2 (a) [Nm]	M2 (b) [Nm]	fs (a)	fs (b)	i	Gear reducer	Motor	Fr2 [N]
400,0	68,0	13	50	4,8	2,6	5,00	TXF010+NMRV050	TP80A2	1400
267,0	45,0	20	36	2,0	2,0	7,50	TXF005+NMRV040	TP71C2/80A2	1168
267,0	45,0	20	73	3,7	1,9	7,50	TXF010+NMRV050	TP80A2	1603
200,0	34,0	26	46	1,6	1,5	10,00	TXF005+NMRV040	TP71C2/80A2	1285
200,0	34,0	27	95	4,7	2,7	10,00	TXF010+NMRV-P063	TP80A2	2306
200,0	34,0	26	49	3,1	2,6	5,00	TXF010+NMRV050	TP80B4	1764
200,0	34,0	26	95	2,8	1,4	10,00	TXF010+NMRV050	TP80A2	1764
133,0	23,0	38	66	1,1	1,1	15,00	TXF005+NMRV040	TP71C2/80A2	1471
133,0	23,0	39	74	3,8	3,7	7,50	TXF010+NMRV-P063	TP80B4	2639
133,0	23,0	39	133	3,6	2,0	15,00	TXF010+NMRV-P063	TP80A2	2639
133,0	23,0	38	131	2,0	1,0	15,00	TXF010+NMRV050	TP80A2	2019
133,0	23,0	38	71	2,4	2,0	7,50	TXF010+NMRV050	TP80B4	2019
100,0	17,0	48	83	0,9	0,8	20,00	TXF005+NMRV040	TP71C2/80A2	1619
100,0	17,0	49	83	1,5	1,4	20,00	TXF005+NMRV050	TP71C2/80A2	2222
100,0	17,0	51	94	3,0	2,9	10,00	TXF010+NMRV-P063	TP80B4	2905
100,0	17,0	50	168	2,8	1,5	20,00	TXF010+NMRV-P063	TP80A2	2905
100,0	17,0	51	173	4,4	2,4	20,00	TXF010+NMRV-P075	TP80A2	3429
100,0	17,0	51	92	1,8	1,5	10,00	TXF010+NMRV050	TP80B4	2222
100,0	17,0	49	166	1,5	0,7	20,00	TXF010+NMRV050	TP80A2	2222
86,0	15,0	57	71	2,0	2,0	7,50	TXF010+NMRV050	TP80C6/90S6	2340
80,0	14,0	58	98	1,2	1,1	25,00	TXF005+NMRV050	TP71C2/80A2	2394
80,0	14,0	61	201	2,1	1,1	25,00	TXF010+NMRV-P063	TP80A2	3129
80,0	14,0	62	207	3,3	1,8	25,00	TXF010+NMRV-P075	TP80A2	3694
67,0	11,0	73	131	2,3	2,1	15,00	TXF010+NMRV-P063	TP80B4	3325
67,0	11,0	69	220	2,2	1,2	30,00	TXF010+NMRV-P063	TP80A2	3325
67,0	11,0	74	134	3,6	3,2	15,00	TXF010+NMRV-P075	TP80B4	3925
67,0	11,0	71	230	3,2	1,9	30,00	TXF010+NMRV-P075	TP80A2	3925
67,0	11,0	72	128	1,3	1,1	15,00	TXF010+NMRV050	TP80B4	2544
64,0	11,0	74	92	1,5	1,5	10,00	TXF010+NMRV050	TP80C6/90S6	2575
50,0	8,5	93	164	1,8	1,5	20,00	TXF010+NMRV-P063	TP80B4	3660
50,0	8,5	87	269	1,6	0,9	40,00	TXF010+NMRV-P063	TP80A2	3660

(a) Values relating to maximum speed

(b) Values relating to minimum speed

17.1 TXF+NMRV - PERFORMANCE

0,75 kW

n2 (a) [rpm]	n2 (b) [rpm]	M2 (a) [Nm]	M2 (b) [Nm]	fs (a)	fs (b)	i	Gear reducer	Motor	Fr2 [N]
50,0	8,5	95	169	2,8	2,5	20,00	TXF010+NMRV-P075	TP80B4	4320
50,0	8,5	90	283	2,6	1,5	40,00	TXF010+NMRV-P075	TP80A2	4320
50,0	8,5	98	177	4,4	3,5	20,00	TXF010+NMRV-P090	TP80B4	4780
50,0	8,5	93	298	4,0	2,0	40,00	TXF010+NMRV-P090	TP80A2	4780
50,0	8,5	92	161	0,9	0,7	20,00	TXF010+NMRV050	TP80B4	2800
43,0	7,3	111	138	4,8	4,8	15,00	TXF010+NMRV-P090	TP80C6/90S6	5032
43,0	7,3	105	128	1,1	1,1	15,00	TXF010+NMRV050	TP80C6/90S6	2948
40,0	6,8	113	196	1,3	1,2	25,00	TXF010+NMRV-P063	TP80B4	3943
40,0	6,8	103	312	1,3	0,8	50,00	TXF010+NMRV-P063	TP80A2	3943
40,0	6,8	116	202	2,1	1,9	25,00	TXF010+NMRV-P075	TP80B4	4654
40,0	6,8	108	324	2,0	1,1	50,00	TXF010+NMRV-P075	TP80A2	4654
40,0	6,8	119	212	3,4	2,7	25,00	TXF010+NMRV-P090	TP80B4	5149
40,0	6,8	112	348	3,2	1,6	50,00	TXF010+NMRV-P090	TP80A2	5149
33,0	5,7	127	214	1,4	1,3	30,00	TXF010+NMRV-P063	TP80B4	4190
33,0	5,7	132	224	2,1	2,0	30,00	TXF010+NMRV-P075	TP80B4	4945
33,0	5,7	122	367	1,6	0,9	60,00	TXF010+NMRV-P075	TP80A2	4945
33,0	5,7	136	235	3,6	3,0	30,00	TXF010+NMRV-P090	TP80B4	5472
33,0	5,7	129	389	2,6	1,3	60,00	TXF010+NMRV-P090	TP80A2	5472
33,0	5,7	136	418	4,3	2,4	60,00	TXF010+NMRV-P110	TP80A2	6914
32,0	5,5	143	177	3,6	3,5	20,00	TXF010+NMRV-P090	TP80C6/90S6	5538
26,0	4,4	172	212	2,8	2,7	25,00	TXF010+NMRV-P090	TP80C6/90S6	5966
25,0	4,3	158	259	1,1	1,0	40,00	TXF010+NMRV-P063	TP80B4	4611
25,0	4,3	165	275	1,7	1,5	40,00	TXF010+NMRV-P075	TP80B4	5443
25,0	4,3	172	290	2,6	2,1	40,00	TXF010+NMRV-P090	TP80B4	6022
25,0	4,3	158	470	1,7	1,0	80,00	TXF010+NMRV-P090	TP80A2	6022
25,0	4,3	179	302	4,4	3,9	40,00	TXF010+NMRV-P110	TP80B4	7610
25,0	4,3	168	509	2,9	1,6	80,00	TXF010+NMRV-P110	TP80A2	7610
25,0	4,3	167	509	4,8	2,4	80,00	TXF010+NMRV130	TP80A2	9953
20,0	3,4	174	240	1,0	1,0	100,00	TXF005+NMRV-P075	TP71C2/80A2	5863
20,0	3,4	185	302	0,9	0,8	50,00	TXF010+NMRV-P063	TP80B4	4967
20,0	3,4	191	312	1,3	1,2	50,00	TXF010+NMRV-P075	TP80B4	5863
20,0	3,4	206	336	2,1	1,7	50,00	TXF010+NMRV-P090	TP80B4	6487
20,0	3,4	186	528	1,4	0,8	100,00	TXF010+NMRV-P090	TP80A2	6487
20,0	3,4	215	362	3,5	3,0	50,00	TXF010+NMRV-P110	TP80B4	8198
20,0	3,4	198	576	2,3	1,3	100,00	TXF010+NMRV-P110	TP80A2	8198
20,0	3,4	197	576	3,6	1,9	100,00	TXF010+NMRV130	TP80A2	10722
17,0	2,8	222	353	1,1	1,0	60,00	TXF010+NMRV-P075	TP80B4	6231
17,0	2,8	233	374	1,7	1,3	60,00	TXF010+NMRV-P090	TP80B4	6894
17,0	2,8	247	403	2,8	2,5	60,00	TXF010+NMRV-P110	TP80B4	8711
16,0	2,7	243	290	2,2	2,1	40,00	TXF010+NMRV-P090	TP80C6/90S6	6978
13,0	2,2	290	336	1,7	1,7	50,00	TXF010+NMRV-P090	TP80C6/90S6	7517
13,0	2,1	286	454	1,1	1,0	80,00	TXF010+NMRV-P090	TP80B4	7588
13,0	2,1	306	493	1,9	1,7	80,00	TXF010+NMRV-P110	TP80B4	9588
13,0	2,1	310	490	2,8	2,5	80,00	TXF010+NMRV130	TP80B4	12540
11,0	1,8	326	374	1,3	1,3	60,00	TXF010+NMRV-P090	TP80C6/90S6	7988
10,0	1,7	328	504	0,9	0,8	100,00	TXF010+NMRV-P090	TP80B4	8174
10,0	1,7	352	552	1,5	1,4	100,00	TXF010+NMRV-P110	TP80B4	10320
10,0	1,7	358	564	2,2	2,0	100,00	TXF010+NMRV130	TP80B4	13500

0,92 kW

n2 (a) [rpm]	n2 (b) [rpm]	M2 (a) [Nm]	M2 (b) [Nm]	fs (a)	fs (b)	i	Gear reducer	Motor	Fr2 [N]
67,0	11,0	93	138	5,0	4,8	15,00	TXF010+NMRV-P090	TP80C4	4343
50,0	8,5	120	177	3,6	3,5	20,00	TXF010+NMRV-P090	TP80C4	4780
40,0	6,8	146	212	2,8	2,7	25,00	TXF010+NMRV-P090	TP80C4	5149

(a) Values relating to maximum speed

(b) Values relating to minimum speed

17.1 TXF+NMRV - PERFORMANCE

0,92 kW

n2 (a) [rpm]	n2 (b) [rpm]	M2 (a) [Nm]	M2 (b) [Nm]	fs (a)	fs (b)	i	Gear reducer	Motor	Fr2 [N]
25,0	4,3	211	290	2,1	2,1	40,00	TXF010+NMRV-P090	TP80C4	6022
20,0	3,4	253	336	1,7	1,7	50,00	TXF010+NMRV-P090	TP80C4	6487

1,10 kW

n2 (a) [rpm]	n2 (b) [rpm]	M2 (a) [Nm]	M2 (b) [Nm]	fs (a)	fs (b)	i	Gear reducer	Motor	Fr2 [N]
400,0	68,0	20	50	3,3	2,6	5,00	TXF010+NMRV050	TP80B2	1400
267,0	45,0	30	75	4,1	3,4	7,50	TXF010+NMRV-P063	TP80B2	2095
267,0	45,0	29	73	2,5	1,9	7,50	TXF010+NMRV050	TP80B2	1603
200,0	34,0	39	95	3,2	2,7	10,00	TXF010+NMRV-P063	TP80B2	2306
200,0	34,0	39	96	4,8	4,2	10,00	TXF010+NMRV-P075	TP80B2	2721
200,0	34,0	39	95	1,9	1,4	10,00	TXF010+NMRV050	TP80B2	1764
133,0	23,0	56	133	2,5	2,0	15,00	TXF010+NMRV-P063	TP80B2	2639
133,0	23,0	58	137	3,7	3,1	15,00	TXF010+NMRV-P075	TP80B2	3115
133,0	23,0	55	131	1,4	1,0	15,00	TXF010+NMRV050	TP80B2	2019
100,0	17,0	74	168	1,9	1,5	20,00	TXF010+NMRV-P063	TP80B2	2905
100,0	17,0	74	173	3,0	2,4	20,00	TXF010+NMRV-P075	TP80B2	3429
100,0	17,0	76	180	4,9	3,4	20,00	TXF010+NMRV-P090	TP80B2	3794
100,0	17,0	71	166	1,0	0,7	20,00	TXF010+NMRV050	TP80B2	2222
80,0	14,0	89	201	1,4	1,1	25,00	TXF010+NMRV-P063	TP80B2	3129
80,0	14,0	91	207	2,2	1,8	25,00	TXF010+NMRV-P075	TP80B2	3694
80,0	14,0	93	216	3,8	2,6	25,00	TXF010+NMRV-P090	TP80B2	4087
67,0	11,0	101	220	1,5	1,2	30,00	TXF010+NMRV-P063	TP80B2	3325
67,0	11,0	104	230	2,2	1,9	30,00	TXF010+NMRV-P075	TP80B2	3925
67,0	11,0	107	241	3,9	2,9	30,00	TXF010+NMRV-P090	TP80B2	4343
50,0	8,5	128	269	1,1	0,9	40,00	TXF010+NMRV-P063	TP80B2	3660
50,0	8,5	132	283	1,7	1,5	40,00	TXF010+NMRV-P075	TP80B2	4320
50,0	8,5	137	298	2,8	2,0	40,00	TXF010+NMRV-P090	TP80B2	4780
50,0	8,5	142	312	4,7	3,8	40,00	TXF010+NMRV-P110	TP80B2	6040
40,0	6,8	151	312	0,9	0,8	50,00	TXF010+NMRV-P063	TP80B2	3943
40,0	6,8	158	324	1,3	1,1	50,00	TXF010+NMRV-P075	TP80B2	4654
40,0	6,8	164	348	2,2	1,6	50,00	TXF010+NMRV-P090	TP80B2	5149
40,0	6,8	171	372	3,7	3,0	50,00	TXF010+NMRV-P110	TP80B2	6506
33,0	5,7	180	367	1,1	0,9	60,00	TXF010+NMRV-P075	TP80B2	4945
33,0	5,7	190	389	1,8	1,3	60,00	TXF010+NMRV-P090	TP80B2	5472
33,0	5,7	200	418	2,9	2,4	60,00	TXF010+NMRV-P110	TP80B2	6914
25,0	4,3	232	470	1,2	1,0	80,00	TXF010+NMRV-P090	TP80B2	6022
25,0	4,3	247	509	2,0	1,6	80,00	TXF010+NMRV-P110	TP80B2	7610
25,0	4,3	246	509	3,2	2,4	80,00	TXF010+NMRV130	TP80B2	9953
20,0	3,4	273	528	0,9	0,8	100,00	TXF010+NMRV-P090	TP80B2	6487
20,0	3,4	290	576	1,6	1,3	100,00	TXF010+NMRV-P110	TP80B2	8198
20,0	3,4	289	576	2,4	1,9	100,00	TXF010+NMRV130	TP80B2	10722

1,50 kW

n2 (a) [rpm]	n2 (b) [rpm]	M2 (a) [Nm]	M2 (b) [Nm]	fs (a)	fs (b)	i	Gear reducer	Motor	Fr2 [N]
133,0	23,0	80	140	4,7	4,7	15,00	TXF010+NMRV-P090	TP80C2/90S2	3447
100,0	17,0	104	180	3,6	3,4	20,00	TXF010+NMRV-P090	TP80C2/90S2	3794
100,0	17,0	97	166	0,8	0,7	20,00	TXF010+NMRV050	TP80C2/90S2	2222
80,0	14,0	127	216	2,8	2,6	25,00	TXF010+NMRV-P090	TP80C2/90S2	4087

(a) Values relating to maximum speed

(b) Values relating to minimum speed

17.2 SF+NMRV - PERFORMANCE

0,09 kW

n2 (a) [rpm]	n2 (b) [rpm]	M2 (a) [Nm]	M2 (b) [Nm]	fs (a)	fs (b)	i	Gear reducer	Motor	Fr2 [N]
81,0	16,0	7	23	3,6	1,4	7,50	SF003+NMRV030	TS63A6	901
61,0	12,0	9	29	2,8	1,1	10,00	SF003+NMRV030	TS63A6	992
41,0	8,1	12	40	2,0	0,8	15,00	SF003+NMRV030	TS63A6	1135
41,0	8,1	13	43	4,7	1,7	15,00	SF003+NMRV040	TS63A6	2184
31,0	6,1	17	54	3,4	1,2	20,00	SF003+NMRV040	TS63A6	2404
24,0	4,9	20	63	2,6	1,0	25,00	SF003+NMRV040	TS63A6	2590
24,0	4,9	20	63	4,6	1,7	25,00	SF003+NMRV050	TS63A6	3555
20,0	4,1	22	68	2,8	1,1	30,00	SF003+NMRV040	TS63A6	2752
15,0	3,1	27	82	2,2	0,8	40,00	SF003+NMRV040	TS63A6	3029
15,0	3,1	27	83	3,8	1,5	40,00	SF003+NMRV050	TS63A6	4158
12,0	2,4	32	98	3,0	1,2	50,00	SF003+NMRV050	TS63A6	4479
10,0	2,0	37	110	4,9	2,0	60,00	SF003+NMRV-P063	TS63A6	6221
10,0	2,0	36	108	2,4	1,0	60,00	SF003+NMRV050	TS63A6	4759
7,6	1,5	44	128	3,4	1,4	80,00	SF003+NMRV-P063	TS63A6	6270
6,1	1,2	49	140	2,6	1,1	100,00	SF003+NMRV-P063	TS63A6	6270
6,1	1,2	53	152	4,0	1,5	100,00	SF003+NMRV-P075	TS63A6	7380

0,12 kW

n2 (a) [rpm]	n2 (b) [rpm]	M2 (a) [Nm]	M2 (b) [Nm]	fs (a)	fs (b)	i	Gear reducer	Motor	Fr2 [N]
190,0	38,0	4	16	4,9	2,0	5,00	SF003+NMRV030	TS63A4	679
127,0	25,0	6	23	3,4	1,4	7,50	SF003+NMRV030	TS63A4	778
122,0	24,0	6	16	3,9	2,0	5,00	SF003+NMRV030	TS63B6	787
95,0	19,0	8	29	2,6	1,1	10,00	SF003+NMRV030	TS63A4	856
81,0	16,0	9	23	2,7	1,4	7,50	SF003+NMRV030	TS63B6	901
63,0	13,0	11	40	1,9	0,8	15,00	SF003+NMRV030	TS63A4	980
63,0	13,0	12	43	4,2	1,7	15,00	SF003+NMRV040	TS63A4	1885
61,0	12,0	12	29	2,1	1,1	10,00	SF003+NMRV030	TS63B6	992
61,0	12,0	12	30	4,8	2,4	10,00	SF003+NMRV040	TS63B6	1908
48,0	9,5	15	54	3,1	1,2	20,00	SF003+NMRV040	TS63A4	2075
41,0	8,1	16	40	1,5	0,8	15,00	SF003+NMRV030	TS63B6	1135
41,0	8,1	17	43	3,5	1,7	15,00	SF003+NMRV040	TS63B6	2184
38,0	7,6	18	63	2,5	1,0	25,00	SF003+NMRV040	TS63A4	2235
38,0	7,6	19	63	4,1	1,7	25,00	SF003+NMRV050	TS63A4	3068
32,0	6,3	20	68	2,6	1,1	30,00	SF003+NMRV040	TS63A4	2375
32,0	6,3	21	70	4,5	2,1	30,00	SF003+NMRV050	TS63A4	3260
31,0	6,1	22	54	2,6	1,2	20,00	SF003+NMRV040	TS63B6	2404
31,0	6,1	23	54	4,4	2,2	20,00	SF003+NMRV050	TS63B6	3300
24,0	4,9	27	63	1,9	1,0	25,00	SF003+NMRV040	TS63B6	2590
24,0	4,9	27	63	3,5	1,7	25,00	SF003+NMRV050	TS63B6	3555
24,0	4,8	25	82	2,0	0,8	40,00	SF003+NMRV040	TS63A4	2614
24,0	4,8	26	83	3,4	1,5	40,00	SF003+NMRV050	TS63A4	3588
20,0	4,1	29	68	2,1	1,1	30,00	SF003+NMRV040	TS63B6	2752
20,0	4,1	30	70	3,8	2,1	30,00	SF003+NMRV050	TS63B6	3778
19,0	3,8	30	98	2,7	1,2	50,00	SF003+NMRV050	TS63A4	3865
16,0	3,2	36	110	4,3	2,0	60,00	SF003+NMRV-P063	TS63A4	5369
16,0	3,2	34	108	2,3	1,0	60,00	SF003+NMRV050	TS63A4	4108
15,0	3,1	36	82	1,6	0,8	40,00	SF003+NMRV040	TS63B6	3029
15,0	3,1	37	83	2,9	1,5	40,00	SF003+NMRV050	TS63B6	4158
12,0	2,4	43	101	4,5	2,4	50,00	SF003+NMRV-P063	TS63B6	5854
12,0	2,4	43	128	3,2	1,4	80,00	SF003+NMRV-P063	TS63A4	5910
12,0	2,4	45	139	4,9	2,1	80,00	SF003+NMRV-P075	TS63A4	6975
12,0	2,4	43	98	2,3	1,2	50,00	SF003+NMRV050	TS63B6	4479
10,0	2,0	49	110	3,6	2,0	60,00	SF003+NMRV-P063	TS63B6	6221
10,0	2,0	48	108	1,8	1,0	60,00	SF003+NMRV050	TS63B6	4759

(a) Values relating to maximum speed

(b) Values relating to minimum speed

17.2 SF+NMRV - PERFORMANCE

0,12 kW

n2 (a) [rpm]	n2 (b) [rpm]	M2 (a) [Nm]	M2 (b) [Nm]	fs (a)	fs (b)	i	Gear reducer	Motor	Fr2 [N]
9,5	1,9	48	140	2,6	1,1	100,00	SF003+NMRV-P063	TS63A4	6270
9,5	1,9	51	152	3,8	1,5	100,00	SF003+NMRV-P075	TS63A4	7380
7,6	1,5	58	128	2,6	1,4	80,00	SF003+NMRV-P063	TS63B6	6270
7,6	1,5	61	139	4,1	2,1	80,00	SF003+NMRV-P075	TS63B6	7380
6,1	1,2	65	140	2,0	1,1	100,00	SF003+NMRV-P063	TS63B6	6270
6,1	1,2	70	152	3,0	1,5	100,00	SF003+NMRV-P075	TS63B6	7380

0,15 kW

n2 (a) [rpm]	n2 (b) [rpm]	M2 (a) [Nm]	M2 (b) [Nm]	fs (a)	fs (b)	i	Gear reducer	Motor	Fr2 [N]
122,0	24,0	8	16	3,1	2,0	5,00	SF003+NMRV030	TS63C6	787
81,0	16,0	12	23	2,2	1,4	7,50	SF003+NMRV030	TS63C6	901
81,0	16,0	12	23	4,7	3,1	7,50	SF003+NMRV040	TS63C6	1734
61,0	12,0	15	29	1,7	1,1	10,00	SF003+NMRV030	TS63C6	992
61,0	12,0	15	30	3,8	2,4	10,00	SF003+NMRV040	TS63C6	1908
41,0	8,1	21	40	1,2	0,8	15,00	SF003+NMRV030	TS63C6	1135
41,0	8,1	22	43	2,8	1,7	15,00	SF003+NMRV040	TS63C6	2184
31,0	6,1	28	54	2,1	1,2	20,00	SF003+NMRV040	TS63C6	2404
31,0	6,1	28	54	3,6	2,2	20,00	SF003+NMRV050	TS63C6	3300
24,0	4,9	33	63	1,5	1,0	25,00	SF003+NMRV040	TS63C6	2590
24,0	4,9	33	63	2,8	1,7	25,00	SF003+NMRV050	TS63C6	3555
20,0	4,1	37	68	1,7	1,1	30,00	SF003+NMRV040	TS63C6	2752
20,0	4,1	37	70	3,0	2,1	30,00	SF003+NMRV050	TS63C6	3778
15,0	3,1	47	86	4,4	3,0	40,00	SF003+NMRV-P063	TS63C6	5435
15,0	3,1	45	82	1,3	0,8	40,00	SF003+NMRV040	TS63C6	3029
15,0	3,1	46	83	2,3	1,5	40,00	SF003+NMRV050	TS63C6	4158
12,0	2,4	54	101	3,6	2,4	50,00	SF003+NMRV-P063	TS63C6	5854
12,0	2,4	53	98	1,8	1,2	50,00	SF003+NMRV050	TS63C6	4479
10,0	2,0	62	110	2,9	2,0	60,00	SF003+NMRV-P063	TS63C6	6221
10,0	2,0	65	118	4,6	2,9	60,00	SF003+NMRV-P075	TS63C6	7343
10,0	2,0	59	108	1,5	1,0	60,00	SF003+NMRV050	TS63C6	4759
7,6	1,5	73	128	2,1	1,4	80,00	SF003+NMRV-P063	TS63C6	6270
7,6	1,5	76	139	3,2	2,1	80,00	SF003+NMRV-P075	TS63C6	7380
6,1	1,2	82	140	1,6	1,1	100,00	SF003+NMRV-P063	TS63C6	6270
6,1	1,2	88	152	2,4	1,5	100,00	SF003+NMRV-P075	TS63C6	7380

0,18 kW

n2 (a) [rpm]	n2 (b) [rpm]	M2 (a) [Nm]	M2 (b) [Nm]	fs (a)	fs (b)	i	Gear reducer	Motor	Fr2 [N]
190,0	38,0	6	16	3,3	2,0	5,00	SF003+NMRV030	TS63B4	679
127,0	25,0	9	23	2,2	1,4	7,50	SF003+NMRV030	TS63B4	778
127,0	25,0	10	23	4,8	3,1	7,50	SF003+NMRV040	TS63B4	1496
122,0	24,0	10	16	2,6	2,0	5,00	SF003+NMRV030	TS71A6	787
95,0	19,0	12	29	1,7	1,1	10,00	SF003+NMRV030	TS63B4	856
95,0	19,0	12	30	3,8	2,4	10,00	SF003+NMRV040	TS63B4	1647
81,0	16,0	14	23	1,8	1,4	7,50	SF003+NMRV030	TS71A6	901
81,0	16,0	14	23	3,9	3,1	7,50	SF003+NMRV040	TS71A6	1734
81,0	16,0	14	35	3,9	2,1	7,50	SF005+NMRV040	TS71A6	1734
63,0	13,0	17	40	1,2	0,8	15,00	SF003+NMRV030	TS63B4	980
63,0	13,0	18	43	2,8	1,7	15,00	SF003+NMRV040	TS63B4	1885
61,0	12,0	18	29	1,4	1,1	10,00	SF003+NMRV030	TS71A6	992
61,0	12,0	18	30	3,2	2,4	10,00	SF003+NMRV040	TS71A6	1908

(a) Values relating to maximum speed

(b) Values relating to minimum speed

17.2 SF+NMRV - PERFORMANCE

0,18 kW

n2 (a) [rpm]	n2 (b) [rpm]	M2 (a) [Nm]	M2 (b) [Nm]	fs (a)	fs (b)	i	Gear reducer	Motor	Fr2 [N]
61,0	12,0	18	45	3,2	1,6	10,00	SF005+NMRV040	TS71A6	1908
48,0	9,5	23	54	2,1	1,2	20,00	SF003+NMRV040	TS63B4	2075
48,0	9,5	23	54	3,6	2,2	20,00	SF003+NMRV050	TS63B4	2848
41,0	8,1	25	40	1,0	0,8	15,00	SF003+NMRV030	TS71A6	1135
41,0	8,1	26	43	2,3	1,7	15,00	SF003+NMRV040	TS71A6	2184
41,0	8,1	26	43	4,3	3,2	15,00	SF003+NMRV050	TS71A6	2998
41,0	8,1	26	64	2,3	1,1	15,00	SF005+NMRV040	TS71A6	2184
41,0	8,1	26	64	4,3	2,1	15,00	SF005+NMRV050	TS71A6	2998
38,0	7,6	27	63	1,6	1,0	25,00	SF003+NMRV040	TS63B4	2235
38,0	7,6	28	63	2,7	1,7	25,00	SF003+NMRV050	TS63B4	3068
32,0	6,3	30	68	1,8	1,1	30,00	SF003+NMRV040	TS63B4	2375
32,0	6,3	31	70	3,0	2,1	30,00	SF003+NMRV050	TS63B4	3260
31,0	6,1	33	54	1,7	1,2	20,00	SF003+NMRV040	TS71A6	2404
31,0	6,1	34	54	3,0	2,2	20,00	SF003+NMRV050	TS71A6	3300
31,0	6,1	33	80	1,7	0,8	20,00	SF005+NMRV040	TS71A6	2404
31,0	6,1	34	80	3,0	1,5	20,00	SF005+NMRV050	TS71A6	3300
24,0	4,9	41	65	4,3	3,5	25,00	SF003+NMRV-P063	TS71A6	4647
24,0	4,9	40	63	1,3	1,0	25,00	SF003+NMRV040	TS71A6	2590
24,0	4,9	40	63	2,3	1,7	25,00	SF003+NMRV050	TS71A6	3555
24,0	4,9	41	98	4,3	2,4	25,00	SF005+NMRV-P063	TS71A6	4647
24,0	4,9	40	95	2,3	1,2	25,00	SF005+NMRV050	TS71A6	3555
24,0	4,8	40	86	4,3	3,0	40,00	SF003+NMRV-P063	TS63B4	4691
24,0	4,8	38	82	1,3	0,8	40,00	SF003+NMRV040	TS63B4	2614
24,0	4,8	39	83	2,3	1,5	40,00	SF003+NMRV050	TS63B4	3588
20,0	4,1	45	71	4,7	4,0	30,00	SF003+NMRV-P063	TS71A6	4938
20,0	4,1	44	68	1,4	1,1	30,00	SF003+NMRV040	TS71A6	2752
20,0	4,1	45	70	2,5	2,1	30,00	SF003+NMRV050	TS71A6	3778
20,0	4,1	45	107	4,7	2,7	30,00	SF005+NMRV-P063	TS71A6	4938
20,0	4,1	44	103	1,4	0,7	30,00	SF005+NMRV040	TS71A6	2752
20,0	4,1	45	104	2,5	1,4	30,00	SF005+NMRV050	TS71A6	3778
19,0	3,8	47	101	3,5	2,4	50,00	SF003+NMRV-P063	TS63B4	5053
19,0	3,8	45	98	1,8	1,2	50,00	SF003+NMRV050	TS63B4	3865
16,0	3,2	53	110	2,9	2,0	60,00	SF003+NMRV-P063	TS63B4	5369
16,0	3,2	56	118	4,4	2,9	60,00	SF003+NMRV-P075	TS63B4	6338
16,0	3,2	51	108	1,5	1,0	60,00	SF003+NMRV050	TS63B4	4108
15,0	3,1	57	86	3,6	3,0	40,00	SF003+NMRV-P063	TS71A6	5435
15,0	3,1	54	82	1,1	0,8	40,00	SF003+NMRV040	TS71A6	3029
15,0	3,1	55	83	1,9	1,5	40,00	SF003+NMRV050	TS71A6	4158
15,0	3,1	57	130	3,6	2,0	40,00	SF005+NMRV-P063	TS71A6	5435
15,0	3,1	55	125	1,9	1,0	40,00	SF005+NMRV050	TS71A6	4158
12,0	2,4	65	101	3,0	2,4	50,00	SF003+NMRV-P063	TS71A6	5854
12,0	2,4	64	128	2,1	1,4	80,00	SF003+NMRV-P063	TS63B4	5910
12,0	2,4	69	104	4,6	3,5	50,00	SF003+NMRV-P075	TS71A6	6910
12,0	2,4	67	139	3,3	2,1	80,00	SF003+NMRV-P075	TS63B4	6975
12,0	2,4	64	98	1,5	1,2	50,00	SF003+NMRV050	TS71A6	4479
12,0	2,4	65	151	3,0	1,6	50,00	SF005+NMRV-P063	TS71A6	5854
12,0	2,4	69	156	4,6	2,4	50,00	SF005+NMRV-P075	TS71A6	6910
12,0	2,4	64	147	1,5	0,8	50,00	SF005+NMRV050	TS71A6	4479
10,0	2,0	74	110	2,4	2,0	60,00	SF003+NMRV-P063	TS71A6	6221
10,0	2,0	78	118	3,9	2,9	60,00	SF003+NMRV-P075	TS71A6	7343
10,0	2,0	71	108	1,2	1,0	60,00	SF003+NMRV050	TS71A6	4759
10,0	2,0	74	166	2,4	1,3	60,00	SF005+NMRV-P063	TS71A6	6221
10,0	2,0	78	176	3,9	2,0	60,00	SF005+NMRV-P075	TS71A6	7343
9,5	1,9	72	140	1,7	1,1	100,00	SF003+NMRV-P063	TS63B4	6270
9,5	1,9	77	152	2,6	1,5	100,00	SF003+NMRV-P075	TS63B4	7380
7,6	1,5	88	128	1,7	1,4	80,00	SF003+NMRV-P063	TS71A6	6270
7,6	1,5	91	139	2,7	2,1	80,00	SF003+NMRV-P075	TS71A6	7380
7,6	1,5	88	192	1,7	0,9	80,00	SF005+NMRV-P063	TS71A6	6270

(a) Values relating to maximum speed

(b) Values relating to minimum speed

17.2 SF+NMRV - PERFORMANCE

0,18 kW

n2 (a) [rpm]	n2 (b) [rpm]	M2 (a) [Nm]	M2 (b) [Nm]	fs (a)	fs (b)	i	Gear reducer	Motor	Fr2 [N]
7,6	1,5	91	208	2,7	1,4	80,00	SF005+NMRV-P075	TS71A6	7380
7,6	1,5	99	227	3,7	2,0	80,00	SF005+NMRV-P090	TS71A6	8180
6,1	1,2	98	140	1,3	1,1	100,00	SF003+NMRV-P063	TS71A6	6270
6,1	1,2	105	152	2,0	1,5	100,00	SF003+NMRV-P075	TS71A6	7380
6,1	1,2	98	210	1,3	0,7	100,00	SF005+NMRV-P063	TS71A6	6270
6,1	1,2	105	228	2,0	1,0	100,00	SF005+NMRV-P075	TS71A6	7380
6,1	1,2	114	252	2,9	1,6	100,00	SF005+NMRV-P090	TS71A6	8180
6,1	1,2	123	276	4,9	2,7	100,00	SF005+NMRV-P110	TS71A6	10320

0,22 kW

n2 (a) [rpm]	n2 (b) [rpm]	M2 (a) [Nm]	M2 (b) [Nm]	fs (a)	fs (b)	i	Gear reducer	Motor	Fr2 [N]
190,0	38,0	8	16	2,7	2,0	5,00	SF003+NMRV030	TS63C4	679
127,0	25,0	11	23	1,8	1,4	7,50	SF003+NMRV030	TS63C4	778
127,0	25,0	12	23	3,9	3,1	7,50	SF003+NMRV040	TS63C4	1496
95,0	19,0	15	29	1,4	1,1	10,00	SF003+NMRV030	TS63C4	856
95,0	19,0	15	30	3,1	2,4	10,00	SF003+NMRV040	TS63C4	1647
63,0	13,0	21	40	1,0	0,8	15,00	SF003+NMRV030	TS63C4	980
63,0	13,0	22	43	2,3	1,7	15,00	SF003+NMRV040	TS63C4	1885
63,0	13,0	22	43	4,2	3,2	15,00	SF003+NMRV050	TS63C4	2588
48,0	9,5	28	54	1,7	1,2	20,00	SF003+NMRV040	TS63C4	2075
48,0	9,5	28	54	2,9	2,2	20,00	SF003+NMRV050	TS63C4	2848
38,0	7,6	35	65	4,3	3,5	25,00	SF003+NMRV-P063	TS63C4	4010
38,0	7,6	34	63	1,3	1,0	25,00	SF003+NMRV040	TS63C4	2235
38,0	7,6	34	63	2,2	1,7	25,00	SF003+NMRV050	TS63C4	3068
32,0	6,3	39	71	4,5	4,0	30,00	SF003+NMRV-P063	TS63C4	4262
32,0	6,3	37	68	1,4	1,1	30,00	SF003+NMRV040	TS63C4	2375
32,0	6,3	38	70	2,5	2,1	30,00	SF003+NMRV050	TS63C4	3260
24,0	4,8	49	86	3,5	3,0	40,00	SF003+NMRV-P063	TS63C4	4691
24,0	4,8	46	82	1,1	0,8	40,00	SF003+NMRV040	TS63C4	2614
24,0	4,8	47	83	1,9	1,5	40,00	SF003+NMRV050	TS63C4	3588
19,0	3,8	57	101	2,8	2,4	50,00	SF003+NMRV-P063	TS63C4	5053
19,0	3,8	59	104	4,3	3,5	50,00	SF003+NMRV-P075	TS63C4	5964
19,0	3,8	55	98	1,5	1,2	50,00	SF003+NMRV050	TS63C4	3865
16,0	3,2	65	110	2,4	2,0	60,00	SF003+NMRV-P063	TS63C4	5369
16,0	3,2	68	118	3,6	2,9	60,00	SF003+NMRV-P075	TS63C4	6338
16,0	3,2	62	108	1,2	1,0	60,00	SF003+NMRV050	TS63C4	4108
12,0	2,4	78	128	1,8	1,4	80,00	SF003+NMRV-P063	TS63C4	5910
12,0	2,4	82	139	2,7	2,1	80,00	SF003+NMRV-P075	TS63C4	6975
9,5	1,9	88	140	1,4	1,1	100,00	SF003+NMRV-P063	TS63C4	6270
9,5	1,9	94	152	2,1	1,5	100,00	SF003+NMRV-P075	TS63C4	7380

0,25 kW

n2 (a) [rpm]	n2 (b) [rpm]	M2 (a) [Nm]	M2 (b) [Nm]	fs (a)	fs (b)	i	Gear reducer	Motor	Fr2 [N]
380,0	76,0	5	16	3,9	2,0	5,00	SF003+NMRV030	TS63B2	539
253,0	51,0	7	23	2,7	1,4	7,50	SF003+NMRV030	TS63B2	617
190,0	38,0	9	16	2,4	2,0	5,00	SF003+NMRV030	TS63D4/71A4	679
190,0	38,0	9	30	2,1	1,1	10,00	SF003+NMRV030	TS63B2	679
190,0	38,0	9	16	4,6	4,2	5,00	SF003+NMRV040	TS63D4/71A4	1307
190,0	38,0	9	31	4,6	2,3	10,00	SF003+NMRV040	TS63B2	1307
190,0	38,0	9	24	4,6	2,8	5,00	SF005+NMRV040	TS71A4	1307

(a) Values relating to maximum speed

(b) Values relating to minimum speed

17.2 SF+NMRV - PERFORMANCE

0,25 kW

n2 (a) [rpm]	n2 (b) [rpm]	M2 (a) [Nm]	M2 (b) [Nm]	fs (a)	fs (b)	i	Gear reducer	Motor	Fr2 [N]
127,0	25,0	13	23	1,6	1,4	7,50	SF003+NMRV030	TS63D4/71A4	778
127,0	25,0	12	41	1,5	0,7	15,00	SF003+NMRV030	TS63B2	778
127,0	25,0	13	23	3,5	3,1	7,50	SF003+NMRV040	TS63D4/71A4	1496
127,0	25,0	13	44	3,2	1,6	15,00	SF003+NMRV040	TS63B2	1496
127,0	25,0	13	35	3,5	2,1	7,50	SF005+NMRV040	TS71A4	1496
122,0	24,0	14	24	3,8	2,8	5,00	SF005+NMRV040	TS71B6	1515
95,0	19,0	17	29	1,2	1,1	10,00	SF003+NMRV030	TS63D4/71A4	856
95,0	19,0	17	30	2,8	2,4	10,00	SF003+NMRV040	TS63D4/71A4	1647
95,0	19,0	17	55	2,4	1,2	20,00	SF003+NMRV040	TS63B2	1647
95,0	19,0	17	55	4,4	2,2	20,00	SF003+NMRV050	TS63B2	2261
95,0	19,0	17	45	2,8	1,6	10,00	SF005+NMRV040	TS71A4	1647
81,0	16,0	20	35	2,8	2,1	7,50	SF005+NMRV040	TS71B6	1734
76,0	15,0	20	65	1,8	0,9	25,00	SF003+NMRV040	TS63B2	1774
76,0	15,0	20	65	3,3	1,7	25,00	SF003+NMRV050	TS63B2	2435
63,0	13,0	24	40	0,9	0,8	15,00	SF003+NMRV030	TS63D4/71A4	980
63,0	13,0	25	43	2,0	1,7	15,00	SF003+NMRV040	TS63D4/71A4	1885
63,0	13,0	23	71	2,0	1,0	30,00	SF003+NMRV040	TS63B2	1885
63,0	13,0	25	43	3,7	3,2	15,00	SF003+NMRV050	TS63D4/71A4	2588
63,0	13,0	23	72	3,6	2,0	30,00	SF003+NMRV050	TS63B2	2588
63,0	13,0	25	64	2,0	1,1	15,00	SF005+NMRV040	TS71A4	1885
63,0	13,0	25	64	3,7	2,1	15,00	SF005+NMRV050	TS71A4	2588
61,0	12,0	26	45	2,3	1,6	10,00	SF005+NMRV040	TS71B6	1908
61,0	12,0	26	46	4,3	3,0	10,00	SF005+NMRV050	TS71B6	2619
48,0	9,5	31	90	4,7	2,8	40,00	SF003+NMRV-P063	TS63B2	3723
48,0	9,5	32	54	1,5	1,2	20,00	SF003+NMRV040	TS63D4/71A4	2075
48,0	9,5	28	85	1,5	0,8	40,00	SF003+NMRV040	TS63B2	2075
48,0	9,5	32	54	2,6	2,2	20,00	SF003+NMRV050	TS63D4/71A4	2848
48,0	9,5	29	86	2,7	1,4	40,00	SF003+NMRV050	TS63B2	2848
48,0	9,5	32	80	1,5	0,8	20,00	SF005+NMRV040	TS71A4	2075
48,0	9,5	32	80	2,6	1,5	20,00	SF005+NMRV050	TS71A4	2848
41,0	8,1	36	64	1,7	1,1	15,00	SF005+NMRV040	TS71B6	2184
41,0	8,1	37	64	3,1	2,1	15,00	SF005+NMRV050	TS71B6	2998
38,0	7,6	40	65	3,8	3,5	25,00	SF003+NMRV-P063	TS63D4/71A4	4010
38,0	7,6	36	104	3,8	2,3	50,00	SF003+NMRV-P063	TS63B2	4010
38,0	7,6	38	63	1,2	1,0	25,00	SF003+NMRV040	TS63D4/71A4	2235
38,0	7,6	39	63	2,0	1,7	25,00	SF003+NMRV050	TS63D4/71A4	3068
38,0	7,6	34	100	2,2	1,2	50,00	SF003+NMRV050	TS63B2	3068
38,0	7,6	40	98	3,8	2,4	25,00	SF005+NMRV-P063	TS71A4	4010
38,0	7,6	39	95	2,0	1,2	25,00	SF005+NMRV050	TS71A4	3068
32,0	6,3	41	115	3,1	1,9	60,00	SF003+NMRV-P063	TS63B2	4262
32,0	6,3	43	122	4,7	2,8	60,00	SF003+NMRV-P075	TS63B2	5030
32,0	6,3	42	68	1,3	1,1	30,00	SF003+NMRV040	TS63D4/71A4	2375
32,0	6,3	43	70	2,2	2,1	30,00	SF003+NMRV050	TS63D4/71A4	3260
32,0	6,3	38	110	1,8	1,0	60,00	SF003+NMRV050	TS63B2	3260
32,0	6,3	45	107	4,0	2,7	30,00	SF005+NMRV-P063	TS71A4	4262
32,0	6,3	42	103	1,3	0,7	30,00	SF005+NMRV040	TS71A4	2375
32,0	6,3	43	104	2,2	1,4	30,00	SF005+NMRV050	TS71A4	3260
31,0	6,1	46	54	1,2	1,2	20,00	SF003+NMRV040	TS71B6	2404
31,0	6,1	48	82	4,1	3,1	20,00	SF005+NMRV-P063	TS71B6	4314
31,0	6,1	46	80	1,2	0,8	20,00	SF005+NMRV040	TS71B6	2404
31,0	6,1	47	80	2,1	1,5	20,00	SF005+NMRV050	TS71B6	3300
24,0	4,9	57	98	3,1	2,4	25,00	SF005+NMRV-P063	TS71B6	4647
24,0	4,9	59	101	5,0	3,8	25,00	SF005+NMRV-P075	TS71B6	5485
24,0	4,9	56	95	1,7	1,2	25,00	SF005+NMRV050	TS71B6	3555
24,0	4,8	55	86	3,1	3,0	40,00	SF003+NMRV-P063	TS63D4/71A4	4691
24,0	4,8	50	134	2,3	1,3	80,00	SF003+NMRV-P063	TS63B2	4691
24,0	4,8	58	92	4,8	4,5	40,00	SF003+NMRV-P075	TS63D4/71A4	5536
24,0	4,8	53	144	3,5	2,0	80,00	SF003+NMRV-P075	TS63B2	5536

(a) Values relating to maximum speed

(b) Values relating to minimum speed

17.2 SF+NMRV - PERFORMANCE

0,25 kW

n2 (a) [rpm]	n2 (b) [rpm]	M2 (a) [Nm]	M2 (b) [Nm]	fs (a)	fs (b)	i	Gear reducer	Motor	Fr2 [N]
24,0	4,8	53	82	0,9	0,8	40,00	SF003+NMRV040	TS63D4/71A4	2614
24,0	4,8	53	83	1,6	1,5	40,00	SF003+NMRV050	TS63D4/71A4	3588
24,0	4,8	55	130	3,1	2,0	40,00	SF005+NMRV-P063	TS71A4	4691
24,0	4,8	58	138	4,8	3,0	40,00	SF005+NMRV-P075	TS71A4	5536
24,0	4,8	53	125	1,6	1,0	40,00	SF005+NMRV050	TS71A4	3588
20,0	4,1	63	107	3,4	2,7	30,00	SF005+NMRV-P063	TS71B6	4938
20,0	4,1	61	103	1,0	0,7	30,00	SF005+NMRV040	TS71B6	2752
20,0	4,1	62	104	1,8	1,4	30,00	SF005+NMRV050	TS71B6	3778
19,0	3,8	65	101	2,5	2,4	50,00	SF003+NMRV-P063	TS63D4/71A4	5053
19,0	3,8	57	148	2,0	1,0	100,00	SF003+NMRV-P063	TS63B2	5053
19,0	3,8	67	104	3,8	3,5	50,00	SF003+NMRV-P075	TS63D4/71A4	5964
19,0	3,8	61	160	2,8	1,4	100,00	SF003+NMRV-P075	TS63B2	5964
19,0	3,8	63	98	1,3	1,2	50,00	SF003+NMRV050	TS63D4/71A4	3865
19,0	3,8	65	151	2,5	1,6	50,00	SF005+NMRV-P063	TS71A4	5053
19,0	3,8	67	156	3,8	2,4	50,00	SF005+NMRV-P075	TS71A4	5964
19,0	3,8	63	147	1,3	0,8	50,00	SF005+NMRV050	TS71A4	3865
16,0	3,2	74	110	2,1	2,0	60,00	SF003+NMRV-P063	TS63D4/71A4	5369
16,0	3,2	78	118	3,2	2,9	60,00	SF003+NMRV-P075	TS63D4/71A4	6338
16,0	3,2	70	108	1,1	1,0	60,00	SF003+NMRV050	TS63D4/71A4	4108
16,0	3,2	74	166	2,1	1,3	60,00	SF005+NMRV-P063	TS71A4	5369
16,0	3,2	78	176	3,2	2,0	60,00	SF005+NMRV-P075	TS71A4	6338
16,0	3,2	81	187	4,7	2,7	60,00	SF005+NMRV-P090	TS71A4	7012
15,0	3,1	79	130	2,6	2,0	40,00	SF005+NMRV-P063	TS71B6	5435
15,0	3,1	81	138	4,1	3,0	40,00	SF005+NMRV-P075	TS71B6	6415
15,0	3,1	76	125	1,4	1,0	40,00	SF005+NMRV050	TS71B6	4158
12,0	2,4	89	128	1,5	1,4	80,00	SF003+NMRV-P063	TS63D4/71A4	5910
12,0	2,4	94	139	2,4	2,1	80,00	SF003+NMRV-P075	TS63D4/71A4	6975
12,0	2,4	90	151	2,2	1,6	50,00	SF005+NMRV-P063	TS71B6	5854
12,0	2,4	89	192	1,5	0,9	80,00	SF005+NMRV-P063	TS71A4	5910
12,0	2,4	95	156	3,3	2,4	50,00	SF005+NMRV-P075	TS71B6	6910
12,0	2,4	94	208	2,4	1,4	80,00	SF005+NMRV-P075	TS71A4	6975
12,0	2,4	102	168	4,9	3,3	50,00	SF005+NMRV-P090	TS71B6	7646
12,0	2,4	100	227	3,1	2,0	80,00	SF005+NMRV-P090	TS71A4	7718
12,0	2,4	89	147	1,1	0,8	50,00	SF005+NMRV050	TS71B6	4479
10,0	2,0	103	166	1,8	1,3	60,00	SF005+NMRV-P063	TS71B6	6221
10,0	2,0	108	176	2,8	2,0	60,00	SF005+NMRV-P075	TS71B6	7343
10,0	2,0	114	187	3,9	2,7	60,00	SF005+NMRV-P090	TS71B6	8125
9,5	1,9	100	140	1,2	1,1	100,00	SF003+NMRV-P063	TS63D4/71A4	6270
9,5	1,9	107	152	1,8	1,5	100,00	SF003+NMRV-P075	TS63D4/71A4	7380
9,5	1,9	100	210	1,2	0,7	100,00	SF005+NMRV-P063	TS71A4	6270
9,5	1,9	107	228	1,8	1,0	100,00	SF005+NMRV-P075	TS71A4	7380
9,5	1,9	115	252	2,4	1,6	100,00	SF005+NMRV-P090	TS71A4	8180
9,5	1,9	123	276	4,2	2,7	100,00	SF005+NMRV-P110	TS71A4	10320
7,6	1,5	122	192	1,2	0,9	80,00	SF005+NMRV-P063	TS71B6	6270
7,6	1,5	127	208	1,9	1,4	80,00	SF005+NMRV-P075	TS71B6	7380
7,6	1,5	137	227	2,7	2,0	80,00	SF005+NMRV-P090	TS71B6	8180
7,6	1,5	147	246	4,5	3,3	80,00	SF005+NMRV-P110	TS71B6	10320
6,1	1,2	136	210	0,9	0,7	100,00	SF005+NMRV-P063	TS71B6	6270
6,1	1,2	146	228	1,4	1,0	100,00	SF005+NMRV-P075	TS71B6	7380
6,1	1,2	159	252	2,1	1,6	100,00	SF005+NMRV-P090	TS71B6	8180
6,1	1,2	171	276	3,5	2,7	100,00	SF005+NMRV-P110	TS71B6	10320

(a) Values relating to maximum speed

(b) Values relating to minimum speed

17.2 SF+NMRV - PERFORMANCE

0,37 kW

n2 (a) [rpm]	n2 (b) [rpm]	M2 (a) [Nm]	M2 (b) [Nm]	fs (a)	fs (b)	i	Gear reducer	Motor	Fr2 [N]
380,0	76,0	7	16	2,6	2,0	5,00	SF003+NMRV030	TS63C2/71A2	539
380,0	76,0	7	17	4,9	4,1	5,00	SF003+NMRV040	TS63C2/71A2	1038
380,0	76,0	7	25	4,9	2,7	5,00	SF005+NMRV040	TS71A2	1038
253,0	51,0	10	23	1,8	1,4	7,50	SF003+NMRV030	TS63C2/71A2	617
253,0	51,0	10	24	3,9	3,0	7,50	SF003+NMRV040	TS63C2/71A2	1188
253,0	51,0	10	36	3,9	2,0	7,50	SF005+NMRV040	TS71A2	1188
190,0	38,0	13	30	1,4	1,1	10,00	SF003+NMRV030	TS63C2/71A2	679
190,0	38,0	13	31	3,1	2,3	10,00	SF003+NMRV040	TS63C2/71A2	1307
190,0	38,0	13	24	3,1	2,8	5,00	SF005+NMRV040	TS71B4	1307
190,0	38,0	13	46	3,1	1,5	10,00	SF005+NMRV040	TS71A2	1307
127,0	25,0	18	41	1,0	0,7	15,00	SF003+NMRV030	TS63C2/71A2	778
127,0	25,0	20	44	2,1	1,6	15,00	SF003+NMRV040	TS63C2/71A2	1496
127,0	25,0	20	44	3,9	3,1	15,00	SF003+NMRV050	TS63C2/71A2	2054
127,0	25,0	20	35	2,3	2,1	7,50	SF005+NMRV040	TS71B4	1496
127,0	25,0	20	66	2,1	1,1	15,00	SF005+NMRV040	TS71A2	1496
127,0	25,0	20	36	4,6	3,9	7,50	SF005+NMRV050	TS71B4	2054
127,0	25,0	20	66	3,9	2,1	15,00	SF005+NMRV050	TS71A2	2054
95,0	19,0	25	55	1,6	1,2	20,00	SF003+NMRV040	TS63C2/71A2	1647
95,0	19,0	25	55	2,9	2,2	20,00	SF003+NMRV050	TS63C2/71A2	2261
95,0	19,0	26	45	1,9	1,6	10,00	SF005+NMRV040	TS71B4	1647
95,0	19,0	25	83	1,6	0,8	20,00	SF005+NMRV040	TS71A2	1647
95,0	19,0	26	46	3,5	3,0	10,00	SF005+NMRV050	TS71B4	2261
95,0	19,0	25	83	2,9	1,4	20,00	SF005+NMRV050	TS71A2	2261
76,0	15,0	31	67	4,0	3,4	25,00	SF003+NMRV-P063	TS63C2/71A2	3183
76,0	15,0	30	65	1,2	0,9	25,00	SF003+NMRV040	TS63C2/71A2	1774
76,0	15,0	30	65	2,2	1,7	25,00	SF003+NMRV050	TS63C2/71A2	2435
76,0	15,0	31	101	4,0	2,3	25,00	SF005+NMRV-P063	TS71A2	3183
76,0	15,0	30	98	2,2	1,1	25,00	SF005+NMRV050	TS71A2	2435
63,0	13,0	36	73	4,2	3,7	30,00	SF003+NMRV-P063	TS63C2/71A2	3382
63,0	13,0	33	71	1,4	1,0	30,00	SF003+NMRV040	TS63C2/71A2	1885
63,0	13,0	34	72	2,4	2,0	30,00	SF003+NMRV050	TS63C2/71A2	2588
63,0	13,0	38	65	4,5	4,2	15,00	SF005+NMRV-P063	TS71B4	3382
63,0	13,0	36	110	4,2	2,5	30,00	SF005+NMRV-P063	TS71A2	3382
63,0	13,0	37	64	1,4	1,1	15,00	SF005+NMRV040	TS71B4	1885
63,0	13,0	37	64	2,5	2,1	15,00	SF005+NMRV050	TS71B4	2588
63,0	13,0	34	108	2,4	1,3	30,00	SF005+NMRV050	TS71A2	2588
61,0	12,0	38	94	4,8	2,9	10,00	SF010+NMRV-P063	TS80A6	3424
48,0	9,5	45	90	3,1	2,8	40,00	SF003+NMRV-P063	TS63C2/71A2	3723
48,0	9,5	47	94	4,9	4,4	40,00	SF003+NMRV-P075	TS63C2/71A2	4394
48,0	9,5	42	85	1,0	0,8	40,00	SF003+NMRV040	TS63C2/71A2	2075
48,0	9,5	43	86	1,8	1,4	40,00	SF003+NMRV050	TS63C2/71A2	2848
48,0	9,5	48	82	3,4	3,1	20,00	SF005+NMRV-P063	TS71B4	3723
48,0	9,5	45	134	3,1	1,9	40,00	SF005+NMRV-P063	TS71A2	3723
48,0	9,5	47	142	4,9	2,9	40,00	SF005+NMRV-P075	TS71A2	4394
48,0	9,5	47	80	1,0	0,8	20,00	SF005+NMRV040	TS71B4	2075
48,0	9,5	48	80	1,7	1,5	20,00	SF005+NMRV050	TS71B4	2848
48,0	9,5	43	130	1,8	1,0	40,00	SF005+NMRV050	TS71A2	2848
41,0	8,1	54	64	1,1	1,1	15,00	SF005+NMRV040	TS71C6/80A6	2184
41,0	8,1	55	131	3,6	2,1	15,00	SF010+NMRV-P063	TS80A6	3919
38,0	7,6	54	104	2,5	2,3	50,00	SF003+NMRV-P063	TS63C2/71A2	4010
38,0	7,6	56	108	3,8	3,4	50,00	SF003+NMRV-P075	TS63C2/71A2	4734
38,0	7,6	50	100	1,5	1,2	50,00	SF003+NMRV050	TS63C2/71A2	3068
38,0	7,6	59	98	2,5	2,4	25,00	SF005+NMRV-P063	TS71B4	4010
38,0	7,6	54	156	2,5	1,5	50,00	SF005+NMRV-P063	TS71A2	4010
38,0	7,6	60	101	4,0	3,8	25,00	SF005+NMRV-P075	TS71B4	4734
38,0	7,6	56	162	3,8	2,3	50,00	SF005+NMRV-P075	TS71A2	4734
38,0	7,6	57	95	1,3	1,2	25,00	SF005+NMRV050	TS71B4	3068
38,0	7,6	50	150	1,5	0,8	50,00	SF005+NMRV050	TS71A2	3068

(a) Values relating to maximum speed

(b) Values relating to minium speed

17.2 SF+NMRV - PERFORMANCE

0,37 kW

n2 (a) [rpm]	n2 (b) [rpm]	M2 (a) [Nm]	M2 (b) [Nm]	fs (a)	fs (b)	i	Gear reducer	Motor	Fr2 [N]
32,0	6,3	61	115	2,1	1,9	60,00	SF003+NMRV-P063	TS63C2/71A2	4262
32,0	6,3	64	122	3,2	2,8	60,00	SF003+NMRV-P075	TS63C2/71A2	5030
32,0	6,3	57	110	1,2	1,0	60,00	SF003+NMRV050	TS63C2/71A2	3260
32,0	6,3	66	107	2,7	2,7	30,00	SF005+NMRV-P063	TS71B4	4262
32,0	6,3	61	173	2,1	1,3	60,00	SF005+NMRV-P063	TS71A2	4262
32,0	6,3	69	112	4,1	4,0	30,00	SF005+NMRV-P075	TS71B4	5030
32,0	6,3	64	184	3,2	1,9	60,00	SF005+NMRV-P075	TS71A2	5030
32,0	6,3	67	194	5,0	2,6	60,00	SF005+NMRV-P090	TS71A2	5566
32,0	6,3	62	103	0,9	0,7	30,00	SF005+NMRV040	TS71B4	2375
32,0	6,3	64	104	1,5	1,4	30,00	SF005+NMRV050	TS71B4	3260
31,0	6,1	69	80	0,8	0,8	20,00	SF005+NMRV040	TS71C6/80A6	2404
31,0	6,1	70	164	2,8	1,5	20,00	SF010+NMRV-P063	TS80A6	4314
31,0	6,1	72	169	4,5	2,5	20,00	SF010+NMRV-P075	TS80A6	5091
24,0	4,9	85	196	2,1	1,2	25,00	SF010+NMRV-P063	TS80A6	4647
24,0	4,9	87	202	3,4	1,9	25,00	SF010+NMRV-P075	TS80A6	5485
24,0	4,8	75	134	1,6	1,3	80,00	SF003+NMRV-P063	TS63C2/71A2	4691
24,0	4,8	78	144	2,4	2,0	80,00	SF003+NMRV-P075	TS63C2/71A2	5536
24,0	4,8	82	130	2,1	2,0	40,00	SF005+NMRV-P063	TS71B4	4691
24,0	4,8	75	202	1,6	0,9	80,00	SF005+NMRV-P063	TS71A2	4691
24,0	4,8	75	202	1,6	0,9	80,00	SF005+NMRV-P063	TS71A2	4691
24,0	4,8	85	138	3,2	3,0	40,00	SF005+NMRV-P075	TS71B4	5536
24,0	4,8	78	216	2,4	1,3	80,00	SF005+NMRV-P075	TS71A2	5536
24,0	4,8	82	235	3,3	2,0	80,00	SF005+NMRV-P090	TS71A2	6126
24,0	4,8	79	125	1,1	1,0	40,00	SF005+NMRV050	TS71B4	3588
20,0	4,1	93	214	2,3	1,3	30,00	SF010+NMRV-P063	TS80A6	4938
20,0	4,1	97	224	3,5	2,0	30,00	SF010+NMRV-P075	TS80A6	5828
19,0	3,8	84	148	1,3	1,0	100,00	SF003+NMRV-P063	TS63C2/71A2	5053
19,0	3,8	90	160	1,9	1,4	100,00	SF003+NMRV-P075	TS63C2/71A2	5964
19,0	3,8	96	151	1,7	1,6	50,00	SF005+NMRV-P063	TS71B4	5053
19,0	3,8	99	156	2,6	2,4	50,00	SF005+NMRV-P075	TS71B4	5964
19,0	3,8	90	240	1,9	1,0	100,00	SF005+NMRV-P075	TS71A2	5964
19,0	3,8	107	168	4,0	3,3	50,00	SF005+NMRV-P090	TS71B4	6599
19,0	3,8	96	264	2,7	1,6	100,00	SF005+NMRV-P090	TS71A2	6599
19,0	3,8	103	288	4,5	2,6	100,00	SF005+NMRV-P110	TS71A2	8338
19,0	3,8	93	147	0,9	0,8	50,00	SF005+NMRV050	TS71B4	3865
16,0	3,2	109	166	1,4	1,3	60,00	SF005+NMRV-P063	TS71B4	5369
16,0	3,2	115	176	2,1	2,0	60,00	SF005+NMRV-P075	TS71B4	6338
16,0	3,2	121	187	3,2	2,7	60,00	SF005+NMRV-P090	TS71B4	7012
15,0	3,1	116	259	1,8	1,0	40,00	SF010+NMRV-P063	TS80A6	5435
15,0	3,1	120	275	2,8	1,5	40,00	SF010+NMRV-P075	TS80A6	6415
15,0	3,1	126	290	4,2	2,1	40,00	SF010+NMRV-P090	TS80A6	7098
12,0	2,4	131	192	1,0	0,9	80,00	SF005+NMRV-P063	TS71B4	5910
12,0	2,4	139	208	1,6	1,4	80,00	SF005+NMRV-P075	TS71B4	6975
12,0	2,4	148	227	2,1	2,0	80,00	SF005+NMRV-P090	TS71B4	7718
12,0	2,4	158	246	3,6	3,3	80,00	SF005+NMRV-P110	TS71B4	9753
12,0	2,4	134	302	1,5	0,8	50,00	SF010+NMRV-P063	TS80A6	5854
12,0	2,4	141	312	2,2	1,2	50,00	SF010+NMRV-P075	TS80A6	6910
12,0	2,4	150	336	3,3	1,7	50,00	SF010+NMRV-P090	TS80A6	7646
10,0	2,0	161	353	1,9	1,0	60,00	SF010+NMRV-P075	TS80A6	7343
10,0	2,0	169	374	2,6	1,3	60,00	SF010+NMRV-P090	TS80A6	8125
10,0	2,0	180	403	4,3	2,5	60,00	SF010+NMRV-P110	TS80A6	10267
9,5	1,9	148	210	0,8	0,7	100,00	SF005+NMRV-P063	TS71B4	6270
9,5	1,9	158	228	1,2	1,0	100,00	SF005+NMRV-P075	TS71B4	7380
9,5	1,9	170	252	1,6	1,6	100,00	SF005+NMRV-P090	TS71B4	8180
9,5	1,9	182	276	2,8	2,7	100,00	SF005+NMRV-P110	TS71B4	10320
7,6	1,5	203	454	1,8	1,0	80,00	SF010+NMRV-P090	TS80A6	8180
7,6	1,5	218	493	3,0	1,7	80,00	SF010+NMRV-P110	TS80A6	10320
7,6	1,5	222	490	4,4	2,5	80,00	SF010+NMRV130	TS80A6	13500

(a) Values relating to maximum speed

(b) Values relating to minimum speed

17.2 SF+NMRV - PERFORMANCE

0,37 kW

n2 (a) [rpm]	n2 (b) [rpm]	M2 (a) [Nm]	M2 (b) [Nm]	fs (a)	fs (b)	i	Gear reducer	Motor	Fr2 [N]
6,1	1,2	235	504	1,4	0,8	100,00	SF010+NMRV-P090	TS80A6	8180
6,1	1,2	254	552	2,4	1,4	100,00	SF010+NMRV-P110	TS80A6	10320
6,1	1,2	254	564	3,4	2,0	100,00	SF010+NMRV130	TS80A6	13500

0,55 kW

n2 (a) [rpm]	n2 (b) [rpm]	M2 (a) [Nm]	M2 (b) [Nm]	fs (a)	fs (b)	i	Gear reducer	Motor	Fr2 [N]
380,0	76,0	10	25	3,3	2,7	5,00	SF005+NMRV040	TS71B2	1038
253,0	51,0	15	36	2,6	2,0	7,50	SF005+NMRV040	TS71B2	1188
253,0	51,0	15	36	4,7	3,8	7,50	SF005+NMRV050	TS71B2	1630
190,0	38,0	20	46	2,1	1,5	10,00	SF005+NMRV040	TS71B2	1307
190,0	38,0	20	47	3,7	2,9	10,00	SF005+NMRV050	TS71B2	1794
127,0	25,0	30	67	4,7	3,9	15,00	SF005+NMRV-P063	TS71B2	2685
127,0	25,0	29	66	1,4	1,1	15,00	SF005+NMRV040	TS71B2	1496
127,0	25,0	29	66	2,6	2,1	15,00	SF005+NMRV050	TS71B2	2054
127,0	25,0	30	74	5,0	3,7	7,50	SF010+NMRV-P063	TS80A4	2685
95,0	19,0	39	84	3,6	3,0	20,00	SF005+NMRV-P063	TS71B2	2955
95,0	19,0	37	83	1,1	0,8	20,00	SF005+NMRV040	TS71B2	1647
95,0	19,0	37	83	2,0	1,4	20,00	SF005+NMRV050	TS71B2	2261
95,0	19,0	39	94	3,9	2,9	10,00	SF010+NMRV-P063	TS80A4	2955
81,0	16,0	45	74	4,1	3,7	7,50	SF010+NMRV-P063	TS80B6	3111
76,0	15,0	47	101	2,7	2,3	25,00	SF005+NMRV-P063	TS71B2	3183
76,0	15,0	48	104	4,2	3,7	25,00	SF005+NMRV-P075	TS71B2	3757
76,0	15,0	45	98	1,5	1,1	25,00	SF005+NMRV050	TS71B2	2435
63,0	13,0	53	110	2,9	2,5	30,00	SF005+NMRV-P063	TS71B2	3382
63,0	13,0	55	115	4,2	3,9	30,00	SF005+NMRV-P075	TS71B2	3992
63,0	13,0	51	108	1,6	1,3	30,00	SF005+NMRV050	TS71B2	2588
63,0	13,0	57	131	3,0	2,1	15,00	SF010+NMRV-P063	TS80A4	3382
63,0	13,0	57	134	4,6	3,2	15,00	SF010+NMRV-P075	TS80A4	3992
61,0	12,0	57	94	3,2	2,9	10,00	SF010+NMRV-P063	TS80B6	3424
61,0	12,0	58	95	4,7	4,5	10,00	SF010+NMRV-P075	TS80B6	4041
48,0	9,5	67	134	2,1	1,9	40,00	SF005+NMRV-P063	TS71B2	3723
48,0	9,5	69	142	3,3	2,9	40,00	SF005+NMRV-P075	TS71B2	4394
48,0	9,5	64	130	1,2	1,0	40,00	SF005+NMRV050	TS71B2	2848
48,0	9,5	72	164	2,3	1,5	20,00	SF010+NMRV-P063	TS80A4	3723
48,0	9,5	74	169	3,6	2,5	20,00	SF010+NMRV-P075	TS80A4	4394
41,0	8,1	82	131	2,5	2,1	15,00	SF010+NMRV-P063	TS80B6	3919
41,0	8,1	84	134	3,8	3,2	15,00	SF010+NMRV-P075	TS80B6	4626
38,0	7,6	80	156	1,7	1,5	50,00	SF005+NMRV-P063	TS71B2	4010
38,0	7,6	83	162	2,6	2,3	50,00	SF005+NMRV-P075	TS71B2	4734
38,0	7,6	86	174	4,1	3,2	50,00	SF005+NMRV-P090	TS71B2	5238
38,0	7,6	75	150	1,0	0,8	50,00	SF005+NMRV050	TS71B2	3068
38,0	7,6	87	196	1,7	1,2	25,00	SF010+NMRV-P063	TS80A4	4010
38,0	7,6	90	202	2,7	1,9	25,00	SF010+NMRV-P075	TS80A4	4734
38,0	7,6	92	212	4,4	2,7	25,00	SF010+NMRV-P090	TS80A4	5238
32,0	6,3	90	173	1,4	1,3	60,00	SF005+NMRV-P063	TS71B2	4262
32,0	6,3	94	184	2,1	1,9	60,00	SF005+NMRV-P075	TS71B2	5030
32,0	6,3	100	194	3,4	2,6	60,00	SF005+NMRV-P090	TS71B2	5566
32,0	6,3	98	214	1,8	1,3	30,00	SF010+NMRV-P063	TS80A4	4262
32,0	6,3	102	224	2,8	2,0	30,00	SF010+NMRV-P075	TS80A4	5030
32,0	6,3	105	235	4,6	3,0	30,00	SF010+NMRV-P090	TS80A4	5566
31,0	6,1	105	164	1,9	1,5	20,00	SF010+NMRV-P063	TS80B6	4314
31,0	6,1	107	169	3,0	2,5	20,00	SF010+NMRV-P075	TS80B6	5091
31,0	6,1	110	177	4,7	3,5	20,00	SF010+NMRV-P090	TS80B6	5634
24,0	4,9	126	196	1,4	1,2	25,00	SF010+NMRV-P063	TS80B6	4647

(a) Values relating to maximum speed

(b) Values relating to minimum speed

17.2 SF+NMRV - PERFORMANCE

0,55 kW

n2 (a) [rpm]	n2 (b) [rpm]	M2 (a) [Nm]	M2 (b) [Nm]	fs (a)	fs (b)	i	Gear reducer	Motor	Fr2 [N]
24,0	4,9	129	202	2,3	1,9	25,00	SF010+NMRV-P075	TS80B6	5485
24,0	4,9	133	212	3,7	2,7	25,00	SF010+NMRV-P090	TS80B6	6069
24,0	4,8	111	202	1,0	0,9	80,00	SF005+NMRV-P063	TS71B2	4691
24,0	4,8	116	216	1,6	1,3	80,00	SF005+NMRV-P075	TS71B2	5536
24,0	4,8	122	235	2,2	2,0	80,00	SF005+NMRV-P090	TS71B2	6126
24,0	4,8	130	254	3,8	3,2	80,00	SF005+NMRV-P110	TS71B2	7741
24,0	4,8	121	259	1,4	1,0	40,00	SF010+NMRV-P063	TS80A4	4691
24,0	4,8	127	275	2,2	1,5	40,00	SF010+NMRV-P075	TS80A4	5536
24,0	4,8	132	290	3,4	2,1	40,00	SF010+NMRV-P090	TS80A4	6126
20,0	4,1	138	214	1,5	1,3	30,00	SF010+NMRV-P063	TS80B6	4938
20,0	4,1	144	224	2,4	2,0	30,00	SF010+NMRV-P075	TS80B6	5828
20,0	4,1	151	235	3,8	3,0	30,00	SF010+NMRV-P090	TS80B6	6449
19,0	3,8	134	240	1,3	1,0	100,00	SF005+NMRV-P075	TS71B2	5964
19,0	3,8	143	264	1,8	1,6	100,00	SF005+NMRV-P090	TS71B2	6599
19,0	3,8	153	288	3,0	2,6	100,00	SF005+NMRV-P110	TS71B2	8338
19,0	3,8	142	302	1,1	0,8	50,00	SF010+NMRV-P063	TS80A4	5053
19,0	3,8	147	312	1,7	1,2	50,00	SF010+NMRV-P075	TS80A4	5964
19,0	3,8	159	336	2,7	1,7	50,00	SF010+NMRV-P090	TS80A4	6599
19,0	3,8	165	362	4,5	3,0	50,00	SF010+NMRV-P110	TS80A4	8338
16,0	3,2	171	353	1,4	1,0	60,00	SF010+NMRV-P075	TS80A4	6338
16,0	3,2	179	374	2,1	1,3	60,00	SF010+NMRV-P090	TS80A4	7012
16,0	3,2	190	403	3,6	2,5	60,00	SF010+NMRV-P110	TS80A4	8861
15,0	3,1	173	259	1,2	1,0	40,00	SF010+NMRV-P063	TS80B6	5435
15,0	3,1	179	275	1,9	1,5	40,00	SF010+NMRV-P075	TS80B6	6415
15,0	3,1	187	290	2,8	2,1	40,00	SF010+NMRV-P090	TS80B6	7098
15,0	3,1	198	302	4,7	3,9	40,00	SF010+NMRV-P110	TS80B6	8969
12,0	2,4	199	302	1,0	0,8	50,00	SF010+NMRV-P063	TS80B6	5854
12,0	2,4	209	312	1,5	1,2	50,00	SF010+NMRV-P075	TS80B6	6910
12,0	2,4	223	336	2,2	1,7	50,00	SF010+NMRV-P090	TS80B6	7646
12,0	2,4	221	454	1,4	1,0	80,00	SF010+NMRV-P090	TS80A4	7718
12,0	2,4	234	362	3,8	3,0	50,00	SF010+NMRV-P110	TS80B6	9661
12,0	2,4	235	493	2,4	1,7	80,00	SF010+NMRV-P110	TS80A4	9753
12,0	2,4	239	490	3,6	2,5	80,00	SF010+NMRV130	TS80A4	12756
10,0	2,0	239	353	1,3	1,0	60,00	SF010+NMRV-P075	TS80B6	7343
10,0	2,0	251	374	1,8	1,3	60,00	SF010+NMRV-P090	TS80B6	8125
10,0	2,0	268	403	2,9	2,5	60,00	SF010+NMRV-P110	TS80B6	10267
9,5	1,9	253	504	1,1	0,8	100,00	SF010+NMRV-P090	TS80A4	8180
9,5	1,9	271	552	1,9	1,4	100,00	SF010+NMRV-P110	TS80A4	10320
9,5	1,9	276	564	2,8	2,0	100,00	SF010+NMRV130	TS80A4	13500
7,6	1,5	301	454	1,2	1,0	80,00	SF010+NMRV-P090	TS80B6	8180
7,6	1,5	324	493	2,0	1,7	80,00	SF010+NMRV-P110	TS80B6	10320
7,6	1,5	329	490	2,9	2,5	80,00	SF010+NMRV130	TS80B6	13500
6,1	1,2	349	504	0,9	0,8	100,00	SF010+NMRV-P090	TS80B6	8180
6,1	1,2	377	552	1,6	1,4	100,00	SF010+NMRV-P110	TS80B6	10320
6,1	1,2	377	564	2,3	2,0	100,00	SF010+NMRV130	TS80B6	13500

0,75 kW

n2 (a) [rpm]	n2 (b) [rpm]	M2 (a) [Nm]	M2 (b) [Nm]	fs (a)	fs (b)	i	Gear reducer	Motor	Fr2 [N]
190,0	38,0	27	46	1,5	1,5	10,00	SF005+NMRV040	TP71C2/80A2	1307
190,0	38,0	28	95	4,5	2,7	10,00	SF010+NMRV-P063	TP80A2	2345
127,0	25,0	40	133	3,5	2,0	15,00	SF010+NMRV-P063	TP80A2	2685
95,0	19,0	50	83	0,8	0,8	20,00	SF005+NMRV040	TP71C2/80A2	1647
95,0	19,0	51	83	1,5	1,4	20,00	SF005+NMRV050	TP71C2/80A2	2261
95,0	19,0	53	168	2,6	1,5	20,00	SF010+NMRV-P063	TP80A2	2955

(a) Values relating to maximum speed

(b) Values relating to minimum speed

17.2 SF+NMRV - PERFORMANCE

0,75 kW

n2 (a) [rpm]	n2 (b) [rpm]	M2 (a) [Nm]	M2 (b) [Nm]	fs (a)	fs (b)	i	Gear reducer	Motor	Fr2 [N]
95,0	19,0	53	173	4,1	2,4	20,00	SF010+NMRV-P075	TP80A2	3488
86,0	16,0	58	148	3,1	1,9	7,50	SF020+NMRV-P063	TP90S6	3058
86,0	16,0	58	148	4,5	2,7	7,50	SF020+NMRV-P075	TP90S6	3610
76,0	15,0	64	201	2,0	1,1	25,00	SF010+NMRV-P063	TP80A2	3183
76,0	15,0	65	207	3,1	1,8	25,00	SF010+NMRV-P075	TP80A2	3757
64,0	12,0	74	187	2,5	1,5	10,00	SF020+NMRV-P063	TP90S6	3366
64,0	12,0	75	190	3,6	2,2	10,00	SF020+NMRV-P075	TP90S6	3973
63,0	13,0	77	131	2,2	2,1	15,00	SF010+NMRV-P063	TP80B4	3382
63,0	13,0	73	220	2,1	1,2	30,00	SF010+NMRV-P063	TP80A2	3382
63,0	13,0	78	134	3,4	3,2	15,00	SF010+NMRV-P075	TP80B4	3992
63,0	13,0	74	230	3,1	1,9	30,00	SF010+NMRV-P075	TP80A2	3992
48,0	9,5	98	164	1,7	1,5	20,00	SF010+NMRV-P063	TP80B4	3723
48,0	9,5	92	269	1,6	0,9	40,00	SF010+NMRV-P063	TP80A2	3723
48,0	9,5	100	169	2,7	2,5	20,00	SF010+NMRV-P075	TP80B4	4394
48,0	9,5	94	283	2,4	1,5	40,00	SF010+NMRV-P075	TP80A2	4394
48,0	9,5	103	177	4,2	3,5	20,00	SF010+NMRV-P090	TP80B4	4862
48,0	9,5	98	298	3,8	2,0	40,00	SF010+NMRV-P090	TP80A2	4862
43,0	8,1	106	262	1,9	1,0	15,00	SF020+NMRV-P063	TP90S6	3853
43,0	8,1	109	269	2,9	1,6	15,00	SF020+NMRV-P075	TP90S6	4548
43,0	8,1	111	276	4,8	2,4	15,00	SF020+NMRV-P090	TP90S6	5032
38,0	7,6	119	196	1,3	1,2	25,00	SF010+NMRV-P063	TP80B4	4010
38,0	7,6	109	312	1,3	0,8	50,00	SF010+NMRV-P063	TP80A2	4010
38,0	7,6	122	202	2,0	1,9	25,00	SF010+NMRV-P075	TP80B4	4734
38,0	7,6	113	324	1,9	1,1	50,00	SF010+NMRV-P075	TP80A2	4734
38,0	7,6	125	212	3,2	2,7	25,00	SF010+NMRV-P090	TP80B4	5238
38,0	7,6	118	348	3,0	1,6	50,00	SF010+NMRV-P090	TP80A2	5238
32,0	6,3	139	224	2,0	2,0	30,00	SF010+NMRV-P075	TP80B4	5030
32,0	6,3	129	367	1,6	0,9	60,00	SF010+NMRV-P075	TP80A2	5030
32,0	6,3	143	235	3,4	3,0	30,00	SF010+NMRV-P090	TP80B4	5566
32,0	6,3	136	389	2,5	1,3	60,00	SF010+NMRV-P090	TP80A2	5566
32,0	6,3	143	418	4,1	2,4	60,00	SF010+NMRV-P110	TP80A2	7033
32,0	6,1	136	328	1,4	0,8	20,00	SF020+NMRV-P063	TP90S6	4241
32,0	6,1	140	338	2,3	1,2	20,00	SF020+NMRV-P075	TP90S6	5005
32,0	6,1	143	354	3,6	1,7	20,00	SF020+NMRV-P090	TP90S6	5538
26,0	4,9	168	404	1,7	0,9	25,00	SF020+NMRV-P075	TP90S6	5392
26,0	4,9	172	424	2,8	1,3	25,00	SF020+NMRV-P090	TP90S6	5966
24,0	4,8	165	259	1,0	1,0	40,00	SF010+NMRV-P063	TP80B4	4691
24,0	4,8	173	275	1,6	1,5	40,00	SF010+NMRV-P075	TP80B4	5536
24,0	4,8	181	290	2,5	2,1	40,00	SF010+NMRV-P090	TP80B4	6126
24,0	4,8	166	470	1,6	1,0	80,00	SF010+NMRV-P090	TP80A2	6126
24,0	4,8	188	302	4,2	3,9	40,00	SF010+NMRV-P110	TP80B4	7741
24,0	4,8	177	509	2,8	1,6	80,00	SF010+NMRV-P110	TP80A2	7741
24,0	4,8	176	509	4,5	2,4	80,00	SF010+NMRV130	TP80A2	10124
21,0	4,1	188	449	1,8	1,0	30,00	SF020+NMRV-P075	TP90S6	5730
21,0	4,1	196	470	3,0	1,5	30,00	SF020+NMRV-P090	TP90S6	6340
19,0	3,8	194	302	0,8	0,8	50,00	SF010+NMRV-P063	TP80B4	5053
19,0	3,8	201	312	1,3	1,2	50,00	SF010+NMRV-P075	TP80B4	5964
19,0	3,8	216	336	2,0	1,7	50,00	SF010+NMRV-P090	TP80B4	6599
19,0	3,8	195	528	1,3	0,8	100,00	SF010+NMRV-P090	TP80A2	6599
19,0	3,8	226	362	3,3	3,0	50,00	SF010+NMRV-P110	TP80B4	8338
19,0	3,8	208	576	2,2	1,3	100,00	SF010+NMRV-P110	TP80A2	8338
19,0	3,8	207	576	3,4	1,9	100,00	SF010+NMRV130	TP80A2	10906
16,0	3,2	233	353	1,1	1,0	60,00	SF010+NMRV-P075	TP80B4	6338
16,0	3,2	244	374	1,6	1,3	60,00	SF010+NMRV-P090	TP80B4	7012
16,0	3,2	259	403	2,6	2,5	60,00	SF010+NMRV-P110	TP80B4	8861
16,0	3,1	232	550	1,5	0,8	40,00	SF020+NMRV-P075	TP90S6	6307
16,0	3,1	243	579	2,2	1,1	40,00	SF020+NMRV-P090	TP90S6	6978
16,0	3,1	257	605	3,6	2,0	40,00	SF020+NMRV-P110	TP90S6	8817

(a) Values relating to maximum speed

(b) Values relating to minimum speed

17.2 SF+NMRV - PERFORMANCE

0,75 kW

n2 (a) [rpm]	n2 (b) [rpm]	M2 (a) [Nm]	M2 (b) [Nm]	fs (a)	fs (b)	i	Gear reducer	Motor	Fr2 [N]
13,0	2,4	290	672	1,7	0,8	50,00	SF020+NMRV-P090	TP90S6	7517
13,0	2,4	304	724	2,9	1,5	50,00	SF020+NMRV-P110	TP90S6	9498
13,0	2,4	308	720	4,0	2,2	50,00	SF020+NMRV130	TP90S6	12423
12,0	2,4	301	454	1,0	1,0	80,00	SF010+NMRV-P090	TP80B4	7718
12,0	2,4	321	493	1,8	1,7	80,00	SF010+NMRV-P110	TP80B4	9753
12,0	2,4	326	490	2,6	2,5	80,00	SF010+NMRV130	TP80B4	12756
11,0	2,0	348	806	2,2	1,2	60,00	SF020+NMRV-P110	TP90S6	10093
11,0	2,0	348	806	3,1	1,7	60,00	SF020+NMRV130	TP90S6	13202
11,0	2,0	353	821	4,8	2,5	60,00	SF020+NMRV150	TP90S6	18000
9,5	1,9	370	552	1,4	1,4	100,00	SF010+NMRV-P110	TP80B4	10320
9,5	1,9	376	564	2,1	2,0	100,00	SF010+NMRV130	TP80B4	13500
8,0	1,5	420	986	1,6	0,8	80,00	SF020+NMRV-P110	TP90S6	10320
8,0	1,5	428	979	2,3	1,2	80,00	SF020+NMRV130	TP90S6	13500
8,0	1,5	435	979	3,5	1,9	80,00	SF020+NMRV150	TP90S6	18000
6,4	1,2	489	1128	1,8	1,0	100,00	SF020+NMRV130	TP90S6	13500
6,4	1,2	498	1128	2,7	1,5	100,00	SF020+NMRV150	TP90S6	18000

1,10 kW

n2 (a) [rpm]	n2 (b) [rpm]	M2 (a) [Nm]	M2 (b) [Nm]	fs (a)	fs (b)	i	Gear reducer	Motor	Fr2 [N]
253,0	51,0	31	75	3,9	3,4	7,50	SF010+NMRV-P063	TP80B2	2131
190,0	38,0	41	95	3,1	2,7	10,00	SF010+NMRV-P063	TP80B2	2345
190,0	38,0	41	96	4,5	4,2	10,00	SF010+NMRV-P075	TP80B2	2768
133,0	25,0	58	148	2,6	1,9	7,50	SF020+NMRV-P063	TP90S4	2639
133,0	25,0	58	148	3,7	2,7	7,50	SF020+NMRV-P075	TP90S4	3115
127,0	25,0	59	133	2,4	2,0	15,00	SF010+NMRV-P063	TP80B2	2685
127,0	25,0	61	137	3,5	3,1	15,00	SF010+NMRV-P075	TP80B2	3169
100,0	19,0	74	187	2,1	1,5	10,00	SF020+NMRV-P063	TP90S4	2905
100,0	19,0	75	190	3,1	2,2	10,00	SF020+NMRV-P075	TP90S4	3429
95,0	19,0	77	168	1,8	1,5	20,00	SF010+NMRV-P063	TP80B2	2955
95,0	19,0	78	173	2,8	2,4	20,00	SF010+NMRV-P075	TP80B2	3488
95,0	19,0	80	180	4,6	3,4	20,00	SF010+NMRV-P090	TP80B2	3859
86,0	16,0	86	148	2,1	1,9	7,50	SF020+NMRV-P063	TP90L6	3058
86,0	16,0	85	148	3,1	2,7	7,50	SF020+NMRV-P075	TP90L6	3610
76,0	15,0	93	201	1,4	1,1	25,00	SF010+NMRV-P063	TP80B2	3183
76,0	15,0	95	207	2,1	1,8	25,00	SF010+NMRV-P075	TP80B2	3757
76,0	15,0	98	216	3,6	2,6	25,00	SF010+NMRV-P090	TP80B2	4157
67,0	13,0	108	262	1,6	1,0	15,00	SF020+NMRV-P063	TP90S4	3325
67,0	13,0	109	269	2,4	1,6	15,00	SF020+NMRV-P075	TP90S4	3925
67,0	13,0	112	276	4,1	2,4	15,00	SF020+NMRV-P090	TP90S4	4343
64,0	12,0	109	187	1,7	1,5	10,00	SF020+NMRV-P063	TP90L6	3366
64,0	12,0	110	190	2,4	2,2	10,00	SF020+NMRV-P075	TP90L6	3973
64,0	12,0	113	194	4,2	3,0	10,00	SF020+NMRV-P090	TP90L6	4396
63,0	13,0	106	220	1,4	1,2	30,00	SF010+NMRV-P063	TP80B2	3382
63,0	13,0	109	230	2,1	1,9	30,00	SF010+NMRV-P075	TP80B2	3992
63,0	13,0	112	241	3,7	2,9	30,00	SF010+NMRV-P090	TP80B2	4418
50,0	9,5	137	328	1,2	0,8	20,00	SF020+NMRV-P063	TP90S4	3660
50,0	9,5	140	338	1,9	1,2	20,00	SF020+NMRV-P075	TP90S4	4320
50,0	9,5	144	354	3,0	1,7	20,00	SF020+NMRV-P090	TP90S4	4780
50,0	9,5	147	363	4,9	3,1	20,00	SF020+NMRV-P110	TP90S4	6040
48,0	9,5	135	269	1,1	0,9	40,00	SF010+NMRV-P063	TP80B2	3723
48,0	9,5	139	283	1,7	1,5	40,00	SF010+NMRV-P075	TP80B2	4394
48,0	9,5	144	298	2,6	2,0	40,00	SF010+NMRV-P090	TP80B2	4862
48,0	9,5	149	312	4,5	3,8	40,00	SF010+NMRV-P110	TP80B2	6144
43,0	8,1	155	262	1,3	1,0	15,00	SF020+NMRV-P063	TP90L6	3853

(a) Values relating to maximum speed

(b) Values relating to minimum speed

17.2 SF+NMRV - PERFORMANCE

1,10 kW

n2 (a) [rpm]	n2 (b) [rpm]	M2 (a) [Nm]	M2 (b) [Nm]	fs (a)	fs (b)	i	Gear reducer	Motor	Fr2 [N]
43,0	8,1	159	269	2,0	1,6	15,00	SFO20+NMRV-P075	TP90L6	4548
43,0	8,1	163	276	3,3	2,4	15,00	SFO20+NMRV-P090	TP90L6	5032
40,0	7,6	171	404	1,4	0,9	25,00	SFO20+NMRV-P075	TP90S4	4654
40,0	7,6	175	424	2,3	1,3	25,00	SFO20+NMRV-P090	TP90S4	5149
40,0	7,6	179	442	4,2	2,7	25,00	SFO20+NMRV-P110	TP90S4	6506
38,0	7,6	159	312	0,9	0,8	50,00	SFO10+NMRV-P063	TP80B2	4010
38,0	7,6	166	324	1,3	1,1	50,00	SFO10+NMRV-P075	TP80B2	4734
38,0	7,6	173	348	2,1	1,6	50,00	SFO10+NMRV-P090	TP80B2	5238
38,0	7,6	180	372	3,5	3,0	50,00	SFO10+NMRV-P110	TP80B2	6618
33,0	6,3	194	449	1,5	1,0	30,00	SFO20+NMRV-P075	TP90S4	4945
33,0	6,3	200	470	2,4	1,5	30,00	SFO20+NMRV-P090	TP90S4	5472
33,0	6,3	202	468	4,2	2,7	30,00	SFO20+NMRV-P110	TP90S4	6914
32,0	6,3	189	367	1,1	0,9	60,00	SFO10+NMRV-P075	TP80B2	5030
32,0	6,3	199	389	1,7	1,3	60,00	SFO10+NMRV-P090	TP80B2	5566
32,0	6,3	210	418	2,8	2,4	60,00	SFO10+NMRV-P110	TP80B2	7033
32,0	6,1	199	328	1,0	0,8	20,00	SFO20+NMRV-P063	TP90L6	4241
32,0	6,1	205	338	1,6	1,2	20,00	SFO20+NMRV-P075	TP90L6	5005
32,0	6,1	210	354	2,5	1,7	20,00	SFO20+NMRV-P090	TP90L6	5538
32,0	6,1	215	363	4,0	3,1	20,00	SFO20+NMRV-P110	TP90L6	6998
26,0	4,9	246	404	1,2	0,9	25,00	SFO20+NMRV-P075	TP90L6	5392
26,0	4,9	253	424	1,9	1,3	25,00	SFO20+NMRV-P090	TP90L6	5966
26,0	4,9	262	442	3,5	2,7	25,00	SFO20+NMRV-P110	TP90L6	7539
26,0	4,9	262	438	4,6	3,5	25,00	SFO20+NMRV130	TP90L6	9860
25,0	4,8	242	550	1,1	0,8	40,00	SFO20+NMRV-P075	TP90S4	5443
25,0	4,8	252	579	1,8	1,1	40,00	SFO20+NMRV-P090	TP90S4	6022
25,0	4,8	263	605	3,0	2,0	40,00	SFO20+NMRV-P110	TP90S4	7610
25,0	4,8	266	605	4,1	2,7	40,00	SFO20+NMRV130	TP90S4	9953
24,0	4,8	244	470	1,1	1,0	80,00	SFO10+NMRV-P090	TP80B2	6126
24,0	4,8	259	509	1,9	1,6	80,00	SFO10+NMRV-P110	TP80B2	7741
24,0	4,8	258	509	3,1	2,4	80,00	SFO10+NMRV130	TP80B2	10124
21,0	4,1	275	449	1,2	1,0	30,00	SFO20+NMRV-P075	TP90L6	5730
21,0	4,1	287	470	2,0	1,5	30,00	SFO20+NMRV-P090	TP90L6	6340
21,0	4,1	291	468	3,4	2,7	30,00	SFO20+NMRV-P110	TP90L6	8011
21,0	4,1	295	475	4,7	3,7	30,00	SFO20+NMRV130	TP90L6	10478
20,0	3,8	302	672	1,4	0,8	50,00	SFO20+NMRV-P090	TP90S4	6487
20,0	3,8	315	724	2,4	1,5	50,00	SFO20+NMRV-P110	TP90S4	8198
20,0	3,8	319	720	3,3	2,2	50,00	SFO20+NMRV130	TP90S4	10722
20,0	3,8	324	720	4,9	3,2	50,00	SFO20+NMRV150	TP90S4	14658
19,0	3,8	287	528	0,9	0,8	100,00	SFO10+NMRV-P090	TP80B2	6599
19,0	3,8	305	576	1,5	1,3	100,00	SFO10+NMRV-P110	TP80B2	8338
19,0	3,8	304	576	2,3	1,9	100,00	SFO10+NMRV130	TP80B2	10906
17,0	3,2	362	806	1,9	1,2	60,00	SFO20+NMRV-P110	TP90S4	8711
17,0	3,2	368	806	2,6	1,7	60,00	SFO20+NMRV130	TP90S4	11394
17,0	3,2	373	821	3,9	2,5	60,00	SFO20+NMRV150	TP90S4	15576
16,0	3,1	340	550	1,0	0,8	40,00	SFO20+NMRV-P075	TP90L6	6307
16,0	3,1	356	579	1,5	1,1	40,00	SFO20+NMRV-P090	TP90L6	6978
16,0	3,1	377	605	2,5	2,0	40,00	SFO20+NMRV-P110	TP90L6	8817
16,0	3,1	377	605	3,4	2,7	40,00	SFO20+NMRV130	TP90L6	11533
13,0	2,4	425	672	1,2	0,8	50,00	SFO20+NMRV-P090	TP90L6	7517
13,0	2,4	445	724	2,0	1,5	50,00	SFO20+NMRV-P110	TP90L6	9498
13,0	2,4	448	986	1,3	0,8	80,00	SFO20+NMRV-P110	TP90S4	9588
13,0	2,4	452	720	2,7	2,2	50,00	SFO20+NMRV130	TP90L6	12423
13,0	2,4	455	979	1,9	1,2	80,00	SFO20+NMRV130	TP90S4	12540
13,0	2,4	459	720	4,1	3,2	50,00	SFO20+NMRV150	TP90L6	16984
13,0	2,4	462	979	2,8	1,9	80,00	SFO20+NMRV150	TP90S4	17144
11,0	2,0	510	806	1,5	1,2	60,00	SFO20+NMRV-P110	TP90L6	10093
11,0	2,0	510	806	2,1	1,7	60,00	SFO20+NMRV130	TP90L6	13202
11,0	2,0	518	821	3,2	2,5	60,00	SFO20+NMRV150	TP90L6	18000

(a) Values relating to maximum speed

(b) Values relating to minimum speed

17.2 SF+NMRV - PERFORMANCE

1,10 kW

n2 (a) [rpm]	n2 (b) [rpm]	M2 (a) [Nm]	M2 (b) [Nm]	fs (a)	fs (b)	i	Gear reducer	Motor	Fr2 [N]
10,0	1,9	525	1128	1,5	1,0	100,00	SF020+NMRV130	TP90S4	13500
10,0	1,9	534	1128	2,2	1,5	100,00	SF020+NMRV150	TP90S4	18000
8,0	1,5	617	986	1,1	0,8	80,00	SF020+NMRV-P110	TP90L6	10320
8,0	1,5	627	979	1,5	1,2	80,00	SF020+NMRV130	TP90L6	13500
8,0	1,5	638	979	2,4	1,9	80,00	SF020+NMRV150	TP90L6	18000
6,4	1,2	718	1128	1,2	1,0	100,00	SF020+NMRV130	TP90L6	13500
6,4	1,2	731	1128	1,8	1,5	100,00	SF020+NMRV150	TP90L6	18000

1,50 kW

n2 (a) [rpm]	n2 (b) [rpm]	M2 (a) [Nm]	M2 (b) [Nm]	fs (a)	fs (b)	i	Gear reducer	Motor	Fr2 [N]
267,0	51,0	41	149	3,0	1,7	7,50	SF020+NMRV-P063	TP90S2	2095
267,0	51,0	41	149	4,3	2,4	7,50	SF020+NMRV-P075	TP90S2	2473
200,0	38,0	53	190	2,4	1,4	10,00	SF020+NMRV-P063	TP90S2	2306
200,0	38,0	54	192	3,5	2,1	10,00	SF020+NMRV-P075	TP90S2	2721
133,0	25,0	79	148	1,9	1,9	7,50	SF020+NMRV-P063	TP90LA4	2639
133,0	25,0	77	266	1,8	1,0	15,00	SF020+NMRV-P063	TP90S2	2639
133,0	25,0	79	148	2,7	2,7	7,50	SF020+NMRV-P075	TP90LA4	3115
133,0	25,0	79	274	2,7	1,6	15,00	SF020+NMRV-P075	TP90S2	3115
133,0	25,0	80	150	4,7	3,7	7,50	SF020+NMRV-P090	TP90LA4	3447
133,0	25,0	80	281	4,7	2,4	15,00	SF020+NMRV-P090	TP90S2	3447
100,0	19,0	101	187	1,5	1,5	10,00	SF020+NMRV-P063	TP90LA4	2905
100,0	19,0	100	336	1,4	0,8	20,00	SF020+NMRV-P063	TP90S2	2905
100,0	19,0	101	346	2,2	1,2	20,00	SF020+NMRV-P075	TP90S2	3429
100,0	19,0	104	194	3,9	3,0	10,00	SF020+NMRV-P090	TP90LA4	3794
100,0	19,0	104	360	3,6	1,7	20,00	SF020+NMRV-P090	TP90S2	3794
95,0	19,0	109	180	3,4	3,4	20,00	SF010+NMRV-P090	TP80C2/90S2	3859
86,0	16,0	117	150	3,9	3,7	7,50	SF020+NMRV-P090	TP100LA6	3994
86,0	16,0	116	296	2,3	1,4	7,50	SF030+NMRV-P075	TP100LA6	3610
86,0	16,0	117	300	3,9	1,9	7,50	SF030+NMRV-P090	TP100LA6	3994
80,0	15,0	124	414	1,6	0,9	25,00	SF020+NMRV-P075	TP90S2	3694
80,0	15,0	127	432	2,8	1,3	25,00	SF020+NMRV-P090	TP90S2	4087
80,0	15,0	130	450	5,0	2,6	25,00	SF020+NMRV-P110	TP90S2	5164
76,0	15,0	133	216	2,7	2,6	25,00	SF010+NMRV-P090	TP80C2/90S2	4157
67,0	13,0	147	262	1,2	1,0	15,00	SF020+NMRV-P063	TP90LA4	3325
67,0	13,0	149	269	1,8	1,6	15,00	SF020+NMRV-P075	TP90LA4	3925
67,0	13,0	142	461	1,6	1,0	30,00	SF020+NMRV-P075	TP90S2	3925
67,0	13,0	152	276	3,0	2,4	15,00	SF020+NMRV-P090	TP90LA4	4343
67,0	13,0	145	482	2,8	1,5	30,00	SF020+NMRV-P090	TP90S2	4343
67,0	13,0	154	280	4,9	4,3	15,00	SF020+NMRV-P110	TP90LA4	5488
67,0	13,0	147	482	4,7	2,6	30,00	SF020+NMRV-P110	TP90S2	5488
64,0	12,0	154	194	3,1	3,0	10,00	SF020+NMRV-P090	TP100LA6	4396
64,0	12,0	150	379	1,8	1,1	10,00	SF030+NMRV-P075	TP100LA6	3973
64,0	12,0	154	389	3,1	1,5	10,00	SF030+NMRV-P090	TP100LA6	4396
50,0	9,5	186	328	0,9	0,8	20,00	SF020+NMRV-P063	TP90LA4	3660
50,0	9,5	191	338	1,4	1,2	20,00	SF020+NMRV-P075	TP90LA4	4320
50,0	9,5	180	566	1,3	0,7	40,00	SF020+NMRV-P075	TP90S2	4320
50,0	9,5	196	354	2,2	1,7	20,00	SF020+NMRV-P090	TP90LA4	4780
50,0	9,5	186	595	2,0	1,0	40,00	SF020+NMRV-P090	TP90S2	4780
50,0	9,5	200	363	3,6	3,1	20,00	SF020+NMRV-P110	TP90LA4	6040
50,0	9,5	194	624	3,4	1,9	40,00	SF020+NMRV-P110	TP90S2	6040
43,0	8,1	223	276	2,4	2,4	15,00	SF020+NMRV-P090	TP100LA6	5032
43,0	8,1	217	538	1,5	0,8	15,00	SF030+NMRV-P075	TP100LA6	4548
43,0	8,1	223	552	2,4	1,2	15,00	SF030+NMRV-P090	TP100LA6	5032
43,0	8,1	226	559	4,0	2,1	15,00	SF030+NMRV-P110	TP100LA6	6358

(a) Values relating to maximum speed

(b) Values relating to minimum speed

17.2 SF+NMRV - PERFORMANCE

1,50 kW

n2 (a) [rpm]	n2 (b) [rpm]	M2 (a) [Nm]	M2 (b) [Nm]	fs (a)	fs (b)	i	Gear reducer	Motor	Fr2 [N]
40,0	7,6	233	404	1,0	0,9	25,00	SFO20+NMRV-P075	TP90LA4	4654
40,0	7,6	239	424	1,7	1,3	25,00	SFO20+NMRV-P090	TP90LA4	5149
40,0	7,6	224	696	1,6	0,8	50,00	SFO20+NMRV-P090	TP90S2	5149
40,0	7,6	245	442	3,1	2,7	25,00	SFO20+NMRV-P110	TP90LA4	6506
40,0	7,6	233	744	2,7	1,5	50,00	SFO20+NMRV-P110	TP90S2	6506
40,0	7,6	248	438	4,2	3,5	25,00	SFO20+NMRV130	TP90LA4	8510
40,0	7,6	231	744	4,0	2,1	50,00	SFO20+NMRV130	TP90S2	8510
33,0	6,3	265	449	1,1	1,0	30,00	SFO20+NMRV-P075	TP90LA4	4945
33,0	6,3	272	470	1,8	1,5	30,00	SFO20+NMRV-P090	TP90LA4	5472
33,0	6,3	276	468	3,0	2,7	30,00	SFO20+NMRV-P110	TP90LA4	6914
33,0	6,3	272	835	2,1	1,2	60,00	SFO20+NMRV-P110	TP90S2	6914
33,0	6,3	283	475	4,1	3,7	30,00	SFO20+NMRV130	TP90LA4	9043
33,0	6,3	266	835	3,2	1,7	60,00	SFO20+NMRV130	TP90S2	9043
33,0	6,3	269	850	4,4	2,4	60,00	SFO20+NMRV150	TP90S2	12363
32,0	6,1	286	354	1,8	1,7	20,00	SFO20+NMRV-P090	TP100LA6	5538
32,0	6,1	286	707	1,8	0,9	20,00	SFO30+NMRV-P090	TP100LA6	5538
32,0	6,1	294	726	2,9	1,6	20,00	SFO30+NMRV-P110	TP100LA6	6998
32,0	6,1	297	720	4,1	2,2	20,00	SFO30+NMRV130	TP100LA6	9154
26,0	4,9	344	424	1,4	1,3	25,00	SFO20+NMRV-P090	TP100LA6	5966
26,0	4,9	358	884	2,5	1,3	25,00	SFO30+NMRV-P110	TP100LA6	7539
26,0	4,9	358	876	3,4	1,7	25,00	SFO30+NMRV130	TP100LA6	9860
26,0	4,9	362	876	4,5	2,3	25,00	SFO30+NMRV150	TP100LA6	13480
25,0	4,8	329	550	0,8	0,8	40,00	SFO20+NMRV-P075	TP90LA4	5443
25,0	4,8	344	579	1,3	1,1	40,00	SFO20+NMRV-P090	TP90LA4	6022
25,0	4,8	358	605	2,2	2,0	40,00	SFO20+NMRV-P110	TP90LA4	7610
25,0	4,8	336	1018	1,5	0,8	80,00	SFO20+NMRV-P110	TP90S2	7610
25,0	4,8	363	605	3,0	2,7	40,00	SFO20+NMRV130	TP90LA4	9953
25,0	4,8	335	1018	2,4	1,2	80,00	SFO20+NMRV130	TP90S2	9953
25,0	4,8	335	1018	3,3	1,8	80,00	SFO20+NMRV150	TP90S2	13607
21,0	4,1	391	941	1,5	0,7	30,00	SFO30+NMRV-P090	TP100LA6	6340
21,0	4,1	397	936	2,5	1,4	30,00	SFO30+NMRV-P110	TP100LA6	8011
21,0	4,1	402	950	3,5	1,9	30,00	SFO30+NMRV130	TP100LA6	10478
21,0	4,1	424	1022	3,9	2,1	30,00	SFO30+NMRV150	TP100LA6	14325
20,0	3,8	412	672	1,0	0,8	50,00	SFO20+NMRV-P090	TP90LA4	6487
20,0	3,8	430	724	1,7	1,5	50,00	SFO20+NMRV-P110	TP90LA4	8198
20,0	3,8	436	720	2,4	2,2	50,00	SFO20+NMRV130	TP90LA4	10722
20,0	3,8	394	1152	1,8	1,0	100,00	SFO20+NMRV130	TP90S2	10722
20,0	3,8	442	720	3,6	3,2	50,00	SFO20+NMRV150	TP90LA4	14658
20,0	3,8	394	1152	2,4	1,4	100,00	SFO20+NMRV150	TP90S2	14658
17,0	3,2	494	806	1,4	1,2	60,00	SFO20+NMRV-P110	TP90LA4	8711
17,0	3,2	501	806	1,9	1,7	60,00	SFO20+NMRV130	TP90LA4	11394
17,0	3,2	508	821	2,8	2,5	60,00	SFO20+NMRV150	TP90LA4	15576
16,0	3,1	486	579	1,1	1,1	40,00	SFO20+NMRV-P090	TP100LA6	6978
16,0	3,1	515	1210	1,8	1,0	40,00	SFO30+NMRV-P110	TP100LA6	8817
16,0	3,1	515	1210	2,5	1,4	40,00	SFO30+NMRV130	TP100LA6	11533
16,0	3,1	594	1229	3,6	2,2	40,00	SFO30+NMRV150	TP100LA6	15766
13,0	2,4	580	672	0,9	0,8	50,00	SFO20+NMRV-P090	TP100LA6	7517
13,0	2,4	611	986	0,9	0,8	80,00	SFO20+NMRV-P110	TP90LA4	9588
13,0	2,4	621	979	1,4	1,2	80,00	SFO20+NMRV130	TP90LA4	12540
13,0	2,4	630	979	2,1	1,9	80,00	SFO20+NMRV150	TP90LA4	17144
13,0	2,4	607	1448	1,4	0,8	50,00	SFO30+NMRV-P110	TP100LA6	9498
13,0	2,4	616	1440	2,0	1,1	50,00	SFO30+NMRV130	TP100LA6	12423
13,0	2,4	625	1440	3,0	1,6	50,00	SFO30+NMRV150	TP100LA6	16984
11,0	2,0	696	1613	1,5	0,9	60,00	SFO30+NMRV130	TP100LA6	13202
11,0	2,0	707	1642	2,4	1,3	60,00	SFO30+NMRV150	TP100LA6	18000
10,0	1,9	716	1128	1,1	1,0	100,00	SFO20+NMRV130	TP90LA4	13500
10,0	1,9	728	1128	1,6	1,5	100,00	SFO20+NMRV150	TP90LA4	18000
8,0	1,5	870	1958	1,8	1,0	80,00	SFO30+NMRV150	TP100LA6	18000

(a) Values relating to maximum speed

(b) Values relating to minimum speed

17.2 SF+NMRV - PERFORMANCE

1,50 kW

n2 (a) [rpm]	n2 (b) [rpm]	M2 (a) [Nm]	M2 (b) [Nm]	fs (a)	fs (b)	i	Gear reducer	Motor	Fr2 [N]
6,4	1,2	997	2256	1,4	0,7	100,00	SF030+NMRV150	TP100LA6	18000

1,85 kW

n2 (a) [rpm]	n2 (b) [rpm]	M2 (a) [Nm]	M2 (b) [Nm]	fs (a)	fs (b)	i	Gear reducer	Motor	Fr2 [N]
133,0	25,0	98	150	3,8	3,7	7,50	SF020+NMRV-P090	TP90LB4	3447
100,0	19,0	128	194	3,2	3,0	10,00	SF020+NMRV-P090	TP90LB4	3794
86,0	16,0	142	296	1,8	1,4	7,50	SF030+NMRV-P075	TP100LB6	3610
86,0	16,0	144	300	3,1	1,9	7,50	SF030+NMRV-P090	TP100LB6	3994
67,0	13,0	188	276	2,5	2,4	15,00	SF020+NMRV-P090	TP90LB4	4343
64,0	12,0	186	379	1,5	1,1	10,00	SF030+NMRV-P075	TP100LB6	3973
64,0	12,0	190	389	2,5	1,5	10,00	SF030+NMRV-P090	TP100LB6	4396
64,0	12,0	190	389	4,5	2,9	10,00	SF030+NMRV-P110	TP100LB6	5555
50,0	9,5	241	354	1,8	1,7	20,00	SF020+NMRV-P090	TP90LB4	4780
43,0	8,1	268	538	1,2	0,8	15,00	SF030+NMRV-P075	TP100LB6	4548
43,0	8,1	275	552	2,0	1,2	15,00	SF030+NMRV-P090	TP100LB6	5032
43,0	8,1	278	559	3,3	2,1	15,00	SF030+NMRV-P110	TP100LB6	6358
43,0	8,1	278	547	4,7	3,1	15,00	SF030+NMRV130	TP100LB6	8317
40,0	7,6	294	424	1,4	1,3	25,00	SF020+NMRV-P090	TP90LB4	5149
32,0	6,1	353	707	1,5	0,9	20,00	SF030+NMRV-P090	TP100LB6	5538
32,0	6,1	362	726	2,4	1,6	20,00	SF030+NMRV-P110	TP100LB6	6998
32,0	6,1	367	720	3,4	2,2	20,00	SF030+NMRV130	TP100LB6	9154
32,0	6,1	367	720	5,0	3,2	20,00	SF030+NMRV150	TP100LB6	12514
26,0	4,9	441	884	2,1	1,3	25,00	SF030+NMRV-P110	TP100LB6	7539
26,0	4,9	441	876	2,7	1,7	25,00	SF030+NMRV130	TP100LB6	9860
26,0	4,9	447	876	3,6	2,3	25,00	SF030+NMRV150	TP100LB6	13480
25,0	4,8	424	579	1,1	1,1	40,00	SF020+NMRV-P090	TP90LB4	6022
21,0	4,1	483	941	1,2	0,7	30,00	SF030+NMRV-P090	TP100LB6	6340
21,0	4,1	489	936	2,0	1,4	30,00	SF030+NMRV-P110	TP100LB6	8011
21,0	4,1	496	950	2,8	1,9	30,00	SF030+NMRV130	TP100LB6	10478
21,0	4,1	523	1022	3,2	2,1	30,00	SF030+NMRV150	TP100LB6	14325
20,0	3,8	508	672	0,8	0,8	50,00	SF020+NMRV-P090	TP90LB4	6487
16,0	3,1	635	1210	1,5	1,0	40,00	SF030+NMRV-P110	TP100LB6	8817
16,0	3,1	635	1210	2,0	1,4	40,00	SF030+NMRV130	TP100LB6	11533
16,0	3,1	733	1229	2,9	2,2	40,00	SF030+NMRV150	TP100LB6	15766
13,0	2,4	749	1448	1,2	0,8	50,00	SF030+NMRV-P110	TP100LB6	9498
13,0	2,4	760	1440	1,6	1,1	50,00	SF030+NMRV130	TP100LB6	12423
13,0	2,4	771	1440	2,4	1,6	50,00	SF030+NMRV150	TP100LB6	16984
11,0	2,0	858	1613	1,2	0,9	60,00	SF030+NMRV130	TP100LB6	13202
11,0	2,0	872	1642	1,9	1,3	60,00	SF030+NMRV150	TP100LB6	18000
8,0	1,5	1073	1958	1,4	1,0	80,00	SF030+NMRV150	TP100LB6	18000
6,4	1,2	1229	2256	1,1	0,7	100,00	SF030+NMRV150	TP100LB6	18000

2,20 kW

n2 (a) [rpm]	n2 (b) [rpm]	M2 (a) [Nm]	M2 (b) [Nm]	fs (a)	fs (b)	i	Gear reducer	Motor	Fr2 [N]
267,0	51,0	60	149	2,0	1,7	7,50	SF020+NMRV-P063	TP90L2	2095
267,0	51,0	60	149	2,9	2,4	7,50	SF020+NMRV-P075	TP90L2	2473
200,0	38,0	78	190	1,6	1,4	10,00	SF020+NMRV-P063	TP90L2	2306
200,0	38,0	79	192	2,4	2,1	10,00	SF020+NMRV-P075	TP90L2	2721
200,0	38,0	79	197	4,1	3,0	10,00	SF020+NMRV-P090	TP90L2	3011
133,0	25,0	113	266	1,2	1,0	15,00	SF020+NMRV-P063	TP90L2	2639

(a) Values relating to maximum speed

(b) Values relating to minimum speed

17.2 SF+NMRV - PERFORMANCE

2,20 kW

n2 (a) [rpm]	n2 (b) [rpm]	M2 (a) [Nm]	M2 (b) [Nm]	fs (a)	fs (b)	i	Gear reducer	Motor	Fr2 [N]
133,0	25,0	115	274	1,9	1,6	15,00	SF020+NMRV-P075	TP90L2	3115
133,0	25,0	117	281	3,2	2,4	15,00	SF020+NMRV-P090	TP90L2	3447
133,0	25,0	116	296	1,9	1,4	7,50	SF030+NMRV-P075	TP100LA4	3115
133,0	25,0	117	300	3,2	1,9	7,50	SF030+NMRV-P090	TP100LA4	3447
100,0	19,0	147	336	0,9	0,8	20,00	SF020+NMRV-P063	TP90L2	2905
100,0	19,0	149	346	1,5	1,2	20,00	SF020+NMRV-P075	TP90L2	3429
100,0	19,0	152	360	2,4	1,7	20,00	SF020+NMRV-P090	TP90L2	3794
100,0	19,0	154	370	4,0	3,1	20,00	SF020+NMRV-P110	TP90L2	4794
100,0	19,0	151	379	1,5	1,1	10,00	SF030+NMRV-P075	TP100LA4	3429
100,0	19,0	152	389	2,7	1,5	10,00	SF030+NMRV-P090	TP100LA4	3794
100,0	19,0	154	389	4,6	2,9	10,00	SF030+NMRV-P110	TP100LA4	4794
86,0	16,0	169	296	1,5	1,4	7,50	SF030+NMRV-P075	TP112MA6	3610
86,0	16,0	171	300	2,6	1,9	7,50	SF030+NMRV-P090	TP112MA6	3994
86,0	16,0	173	299	4,6	3,6	7,50	SF030+NMRV-P110	TP112MA6	5047
86,0	16,0	169	395	1,5	1,0	7,50	SF050+NMRV-P075	TP112MA6	3610
86,0	16,0	171	400	2,6	1,4	7,50	SF050+NMRV-P090	TP112MA6	3994
86,0	16,0	173	398	4,6	2,7	7,50	SF050+NMRV-P110	TP112MA6	5047
80,0	15,0	182	414	1,1	0,9	25,00	SF020+NMRV-P075	TP90L2	3694
80,0	15,0	186	432	1,9	1,3	25,00	SF020+NMRV-P090	TP90L2	4087
80,0	15,0	190	450	3,4	2,6	25,00	SF020+NMRV-P110	TP90L2	5164
80,0	15,0	189	450	4,7	3,4	25,00	SF020+NMRV130	TP90L2	6754
67,0	13,0	208	461	1,1	1,0	30,00	SF020+NMRV-P075	TP90L2	3925
67,0	13,0	213	482	1,9	1,5	30,00	SF020+NMRV-P090	TP90L2	4343
67,0	13,0	216	482	3,2	2,6	30,00	SF020+NMRV-P110	TP90L2	5488
67,0	13,0	216	490	4,6	3,6	30,00	SF020+NMRV130	TP90L2	7178
67,0	13,0	218	538	1,2	0,8	15,00	SF030+NMRV-P075	TP100LA4	3925
67,0	13,0	223	552	2,1	1,2	15,00	SF030+NMRV-P090	TP100LA4	4343
67,0	13,0	226	559	3,4	2,1	15,00	SF030+NMRV-P110	TP100LA4	5488
67,0	13,0	223	547	4,7	3,1	15,00	SF030+NMRV130	TP100LA4	7178
64,0	12,0	221	379	1,2	1,1	10,00	SF030+NMRV-P075	TP112MA6	3973
64,0	12,0	226	389	2,1	1,5	10,00	SF030+NMRV-P090	TP112MA6	4396
64,0	12,0	226	389	3,8	2,9	10,00	SF030+NMRV-P110	TP112MA6	5555
64,0	12,0	221	506	1,2	0,8	10,00	SF050+NMRV-P075	TP112MA6	3973
64,0	12,0	226	518	2,1	1,1	10,00	SF050+NMRV-P090	TP112MA6	4396
64,0	12,0	226	518	3,8	2,2	10,00	SF050+NMRV-P110	TP112MA6	5555
50,0	9,5	264	566	0,9	0,7	40,00	SF020+NMRV-P075	TP90L2	4320
50,0	9,5	274	595	1,4	1,0	40,00	SF020+NMRV-P090	TP90L2	4780
50,0	9,5	284	624	2,3	1,9	40,00	SF020+NMRV-P110	TP90L2	6040
50,0	9,5	281	624	3,5	2,6	40,00	SF020+NMRV130	TP90L2	7900
50,0	9,5	287	707	1,5	0,9	20,00	SF030+NMRV-P090	TP100LA4	4780
50,0	9,5	294	726	2,5	1,6	20,00	SF030+NMRV-P110	TP100LA4	6040
50,0	9,5	298	720	3,5	2,2	20,00	SF030+NMRV130	TP100LA4	7900
43,0	8,1	319	538	1,0	0,8	15,00	SF030+NMRV-P075	TP112MA6	4548
43,0	8,1	327	552	1,6	1,2	15,00	SF030+NMRV-P090	TP112MA6	5032
43,0	8,1	331	559	2,7	2,1	15,00	SF030+NMRV-P110	TP112MA6	6358
43,0	8,1	331	547	3,9	3,1	15,00	SF030+NMRV130	TP112MA6	8317
43,0	8,1	327	736	1,6	0,9	15,00	SF050+NMRV-P090	TP112MA6	5032
43,0	8,1	331	746	2,7	1,6	15,00	SF050+NMRV-P110	TP112MA6	6358
43,0	8,1	331	730	3,9	2,3	15,00	SF050+NMRV130	TP112MA6	8317
40,0	7,6	329	696	1,1	0,8	50,00	SF020+NMRV-P090	TP90L2	5149
40,0	7,6	342	744	1,8	1,5	50,00	SF020+NMRV-P110	TP90L2	6506
40,0	7,6	338	744	2,8	2,1	50,00	SF020+NMRV130	TP90L2	8510
40,0	7,6	343	744	3,9	3,1	50,00	SF020+NMRV150	TP90L2	11634
40,0	7,6	359	884	2,1	1,3	25,00	SF030+NMRV-P110	TP100LA4	6506
40,0	7,6	363	876	2,9	1,7	25,00	SF030+NMRV130	TP100LA4	8510
40,0	7,6	368	876	3,8	2,3	25,00	SF030+NMRV150	TP100LA4	11634
33,0	6,3	400	835	1,5	1,2	60,00	SF020+NMRV-P110	TP90L2	6914
33,0	6,3	390	835	2,2	1,7	60,00	SF020+NMRV130	TP90L2	9043

(a) Values relating to maximum speed

(b) Values relating to minimum speed

17.2 SF+NMRV - PERFORMANCE

2,20 kW

n2 (a) [rpm]	n2 (b) [rpm]	M2 (a) [Nm]	M2 (b) [Nm]	fs (a)	fs (b)	i	Gear reducer	Motor	Fr2 [N]
33,0	6,3	395	850	3,0	2,4	60,00	SF020+NMRV150	TP90L2	12363
33,0	6,3	399	941	1,2	0,7	30,00	SF030+NMRV-P090	TP100LA4	5472
33,0	6,3	404	936	2,1	1,4	30,00	SF030+NMRV-P110	TP100LA4	6914
33,0	6,3	415	950	2,8	1,9	30,00	SF030+NMRV130	TP100LA4	9043
33,0	6,3	431	1022	3,3	2,1	30,00	SF030+NMRV150	TP100LA4	12363
32,0	6,1	420	707	1,2	0,9	20,00	SF030+NMRV-P090	TP112MA6	5538
32,0	6,1	431	726	2,0	1,6	20,00	SF030+NMRV-P110	TP112MA6	6998
32,0	6,1	436	720	2,8	2,2	20,00	SF030+NMRV130	TP112MA6	9154
32,0	6,1	436	720	4,2	3,2	20,00	SF030+NMRV150	TP112MA6	12514
32,0	6,1	431	969	2,0	1,2	20,00	SF050+NMRV-P110	TP112MA6	6998
32,0	6,1	436	960	2,8	1,7	20,00	SF050+NMRV130	TP112MA6	9154
32,0	6,1	436	960	4,2	2,4	20,00	SF050+NMRV150	TP112MA6	12514
26,0	4,9	525	884	1,7	1,3	25,00	SF030+NMRV-P110	TP112MA6	7539
26,0	4,9	525	876	2,3	1,7	25,00	SF030+NMRV130	TP112MA6	9860
26,0	4,9	532	876	3,1	2,3	25,00	SF030+NMRV150	TP112MA6	13480
26,0	4,9	525	1179	1,7	1,0	25,00	SF050+NMRV-P110	TP112MA6	7539
26,0	4,9	525	1168	2,3	1,3	25,00	SF050+NMRV130	TP112MA6	9860
26,0	4,9	532	1168	3,1	1,8	25,00	SF050+NMRV150	TP112MA6	13480
25,0	4,8	493	1018	1,0	0,8	80,00	SF020+NMRV-P110	TP90L2	7610
25,0	4,8	491	1018	1,6	1,2	80,00	SF020+NMRV130	TP90L2	9953
25,0	4,8	491	1018	2,2	1,8	80,00	SF020+NMRV150	TP90L2	13607
25,0	4,8	525	1210	1,5	1,0	40,00	SF030+NMRV-P110	TP100LA4	7610
25,0	4,8	532	1210	2,1	1,4	40,00	SF030+NMRV130	TP100LA4	9953
25,0	4,8	532	1229	3,4	2,2	40,00	SF030+NMRV150	TP100LA4	13607
21,0	4,1	574	941	1,0	0,7	30,00	SF030+NMRV-P090	TP112MA6	6340
21,0	4,1	582	936	1,7	1,4	30,00	SF030+NMRV-P110	TP112MA6	8011
21,0	4,1	590	950	2,4	1,9	30,00	SF030+NMRV130	TP112MA6	10478
21,0	4,1	622	1022	2,7	2,1	30,00	SF030+NMRV150	TP112MA6	14325
21,0	4,1	582	1248	1,7	1,0	30,00	SF050+NMRV-P110	TP112MA6	8011
21,0	4,1	590	1267	2,4	1,4	30,00	SF050+NMRV130	TP112MA6	10478
21,0	4,1	622	1363	2,7	1,5	30,00	SF050+NMRV150	TP112MA6	14325
20,0	3,8	578	1152	1,2	1,0	100,00	SF020+NMRV130	TP90L2	10722
20,0	3,8	578	1152	1,6	1,4	100,00	SF020+NMRV150	TP90L2	14658
20,0	3,8	630	1448	1,2	0,8	50,00	SF030+NMRV-P110	TP100LA4	8198
20,0	3,8	639	1440	1,6	1,1	50,00	SF030+NMRV130	TP100LA4	10722
20,0	3,8	648	1440	2,5	1,6	50,00	SF030+NMRV150	TP100LA4	14658
17,0	3,2	735	1613	1,3	0,9	60,00	SF030+NMRV130	TP100LA4	11394
17,0	3,2	746	1642	1,9	1,3	60,00	SF030+NMRV150	TP100LA4	15576
16,0	3,1	755	1210	1,2	1,0	40,00	SF030+NMRV-P110	TP112MA6	8817
16,0	3,1	755	1210	1,7	1,4	40,00	SF030+NMRV130	TP112MA6	11533
16,0	3,1	872	1229	2,4	2,2	40,00	SF030+NMRV150	TP112MA6	15766
16,0	3,1	755	1613	1,2	0,7	40,00	SF050+NMRV-P110	TP112MA6	8817
16,0	3,1	755	1613	1,7	1,0	40,00	SF050+NMRV130	TP112MA6	11533
16,0	3,1	872	1638	2,4	1,6	40,00	SF050+NMRV150	TP112MA6	15766
13,0	2,4	890	1448	1,0	0,8	50,00	SF030+NMRV-P110	TP112MA6	9498
13,0	2,4	904	1440	1,3	1,1	50,00	SF030+NMRV130	TP112MA6	12423
13,0	2,4	917	1440	2,0	1,6	50,00	SF030+NMRV150	TP112MA6	16984
13,0	2,4	924	1958	1,4	1,0	80,00	SF030+NMRV150	TP100LA4	17144
13,0	2,4	904	1920	1,3	0,8	50,00	SF050+NMRV130	TP112MA6	12423
13,0	2,4	917	1920	2,0	1,2	50,00	SF050+NMRV150	TP112MA6	16984
11,0	2,0	1021	1613	1,0	0,9	60,00	SF030+NMRV130	TP112MA6	13202
11,0	2,0	1037	1642	1,6	1,3	60,00	SF030+NMRV150	TP112MA6	18000
11,0	2,0	1037	2189	1,6	1,0	60,00	SF050+NMRV150	TP112MA6	18000
10,0	1,9	1068	2256	1,1	0,7	100,00	SF030+NMRV150	TP100LA4	18000
8,0	1,5	1276	1958	1,2	1,0	80,00	SF030+NMRV150	TP112MA6	18000
8,0	1,5	1276	2611	1,2	0,7	80,00	SF050+NMRV150	TP112MA6	18000
6,4	1,2	1462	2256	0,9	0,7	100,00	SF030+NMRV150	TP112MA6	18000

(a) Values relating to maximum speed

(b) Values relating to minimum speed

17.2 SF+NMRV - PERFORMANCE

3,00 kW

n2 (a) [rpm]	n2 (b) [rpm]	M2 (a) [Nm]	M2 (b) [Nm]	fs (a)	fs (b)	i	Gear reducer	Motor	Fr2 [N]
267,0	51,0	81	299	2,2	1,2	7,50	SF030+NMRV-P075	TP100LA2	2473
267,0	51,0	82	302	3,7	1,9	7,50	SF030+NMRV-P090	TP100LA2	2736
200,0	38,0	107	384	1,7	1,1	10,00	SF030+NMRV-P075	TP100LA2	2721
200,0	38,0	108	394	3,0	1,5	10,00	SF030+NMRV-P090	TP100LA2	3011
133,0	25,0	159	281	2,4	2,4	15,00	SF020+NMRV-P090	TP100LA2	3447
133,0	25,0	158	296	1,4	1,4	7,50	SF030+NMRV-P075	TP100LB4	3115
133,0	25,0	157	547	1,4	0,8	15,00	SF030+NMRV-P075	TP100LA2	3115
133,0	25,0	159	300	2,3	1,9	7,50	SF030+NMRV-P090	TP100LB4	3447
133,0	25,0	159	562	2,4	1,2	15,00	SF030+NMRV-P090	TP100LA2	3447
133,0	25,0	159	299	4,1	3,6	7,50	SF030+NMRV-P110	TP100LB4	4356
133,0	25,0	159	569	3,9	2,1	15,00	SF020+NMRV-P110	TP100LA2	4356
100,0	19,0	208	360	1,8	1,7	20,00	SF020+NMRV-P090	TP100LA2	3794
100,0	19,0	208	389	2,0	1,5	10,00	SF030+NMRV-P090	TP100LB4	3794
100,0	19,0	208	720	1,8	0,8	20,00	SF030+NMRV-P090	TP100LA2	3794
100,0	19,0	210	389	3,4	2,9	10,00	SF030+NMRV-P110	TP100LB4	4794
100,0	19,0	210	739	2,9	1,5	20,00	SF030+NMRV-P110	TP100LA2	4794
100,0	19,0	210	389	4,6	3,9	10,00	SF030+NMRV130	TP100LB4	6270
100,0	19,0	211	739	4,1	2,2	20,00	SF030+NMRV130	TP100LA2	6270
86,0	16,0	234	300	1,9	1,9	7,50	SF030+NMRV-P090	TP112MB6	3994
86,0	16,0	231	395	1,1	1,0	7,50	SF050+NMRV-P075	TP112MB6/132S6	3610
86,0	16,0	234	400	1,9	1,4	7,50	SF050+NMRV-P090	TP112MB6/132S6	3994
86,0	16,0	237	398	3,4	2,7	7,50	SF050+NMRV-P110	TP112MB6/132S6	5047
86,0	16,0	239	394	4,5	3,7	7,50	SF050+NMRV130	TP112MB6/132S6	6601
86,0	16,0	237	896	3,4	1,2	7,50	SF100+NMRV-P110	TP132S6	5047
86,0	16,0	239	886	4,5	1,6	7,50	SF100+NMRV130	TP132S6	6601
80,0	15,0	254	432	1,4	1,3	25,00	SF020+NMRV-P090	TP100LA2	4087
80,0	15,0	258	450	3,4	3,4	25,00	SF020+NMRV130	TP100LA2	6754
80,0	15,0	260	900	2,5	1,3	25,00	SF030+NMRV-P110	TP100LA2	5164
80,0	15,0	258	900	3,4	1,7	25,00	SF030+NMRV130	TP100LA2	6754
80,0	15,0	258	900	4,4	2,3	25,00	SF030+NMRV150	TP100LA2	9234
67,0	13,0	297	538	0,9	0,8	15,00	SF030+NMRV-P075	TP100LB4	3925
67,0	13,0	304	552	1,5	1,2	15,00	SF030+NMRV-P090	TP100LB4	4343
67,0	13,0	291	965	1,4	0,7	30,00	SF030+NMRV-P090	TP100LA2	4343
67,0	13,0	308	559	2,5	2,1	15,00	SF030+NMRV-P110	TP100LB4	5488
67,0	13,0	294	965	2,3	1,3	30,00	SF030+NMRV-P110	TP100LA2	5488
67,0	13,0	304	547	3,5	3,1	15,00	SF030+NMRV130	TP100LB4	7178
67,0	13,0	295	979	3,4	1,8	30,00	SF030+NMRV130	TP100LA2	7178
67,0	13,0	306	1051	3,7	2,0	30,00	SF030+NMRV150	TP100LA2	9812
64,0	12,0	308	389	1,6	1,5	10,00	SF030+NMRV-P090	TP112MB6	4396
64,0	12,0	301	506	0,9	0,8	10,00	SF050+NMRV-P075	TP112MB6/132S6	3973
64,0	12,0	308	518	1,6	1,1	10,00	SF050+NMRV-P090	TP112MB6/132S6	4396
64,0	12,0	308	518	2,8	2,2	10,00	SF050+NMRV-P110	TP112MB6/132S6	5555
64,0	12,0	312	518	3,7	3,0	10,00	SF050+NMRV130	TP112MB6/132S6	7265
64,0	12,0	308	1166	2,8	1,0	10,00	SF100+NMRV-P110	TP132S6	5555
64,0	12,0	312	1166	3,7	1,3	10,00	SF100+NMRV130	TP132S6	7265
50,0	9,5	391	707	1,1	0,9	20,00	SF030+NMRV-P090	TP100LB4	4780
50,0	9,5	401	726	1,8	1,6	20,00	SF030+NMRV-P110	TP100LB4	6040
50,0	9,5	388	1248	1,7	0,9	40,00	SF030+NMRV-P110	TP100LA2	6040
50,0	9,5	406	720	2,6	2,2	20,00	SF030+NMRV130	TP100LB4	7900
50,0	9,5	383	1248	2,6	1,3	40,00	SF030+NMRV130	TP100LA2	7900
50,0	9,5	406	720	3,7	3,2	20,00	SF030+NMRV150	TP100LB4	10800
50,0	9,5	383	1267	3,8	2,1	40,00	SF030+NMRV150	TP100LA2	10800
43,0	8,1	446	552	1,2	1,2	15,00	SF030+NMRV-P090	TP112MB6	5032
43,0	8,1	446	736	1,2	0,9	15,00	SF050+NMRV-P090	TP112MB6/132S6	5032
43,0	8,1	451	746	2,0	1,6	15,00	SF050+NMRV-P110	TP112MB6/132S6	6358
43,0	8,1	451	730	2,9	2,3	15,00	SF050+NMRV130	TP112MB6/132S6	8317
43,0	8,1	451	1678	2,0	0,7	15,00	SF100+NMRV-P110	TP132S6	6358
43,0	8,1	451	1642	2,9	1,0	15,00	SF100+NMRV130	TP132S6	8317

(a) Values relating to maximum speed

(b) Values relating to minimum speed

17.2 SF+NMRV - PERFORMANCE

3,00 kW

n2 (a) [rpm]	n2 (b) [rpm]	M2 (a) [Nm]	M2 (b) [Nm]	fs (a)	fs (b)	i	Gear reducer	Motor	Fr2 [N]
40,0	7,6	489	884	1,6	1,3	25,00	SF030+NMRV-P110	TP100LB4	6506
40,0	7,6	466	1488	1,3	0,7	50,00	SF030+NMRV-P110	TP100LA2	6506
40,0	7,6	495	876	2,1	1,7	25,00	SF030+NMRV130	TP100LB4	8510
40,0	7,6	461	1488	2,0	1,0	50,00	SF030+NMRV130	TP100LA2	8510
40,0	7,6	501	876	2,8	2,3	25,00	SF030+NMRV150	TP100LB4	11634
40,0	7,6	467	1488	2,8	1,6	50,00	SF030+NMRV150	TP100LA2	11634
33,0	6,3	544	941	0,9	0,7	30,00	SF030+NMRV-P090	TP100LB4	5472
33,0	6,3	551	936	1,5	1,4	30,00	SF030+NMRV-P110	TP100LB4	6914
33,0	6,3	566	950	2,1	1,9	30,00	SF030+NMRV130	TP100LB4	9043
33,0	6,3	531	1670	1,6	0,8	60,00	SF030+NMRV130	TP100LA2	9043
33,0	6,3	587	1022	2,4	2,1	30,00	SF030+NMRV150	TP100LB4	12363
33,0	6,3	539	1699	2,2	1,2	60,00	SF030+NMRV150	TP100LA2	12363
32,0	6,1	573	707	0,9	0,9	20,00	SF030+NMRV-P090	TP112MB6	5538
32,0	6,1	587	969	1,5	1,2	20,00	SF050+NMRV-P110	TP112MB6/132S6	6998
32,0	6,1	594	960	2,1	1,7	20,00	SF050+NMRV130	TP112MB6/132S6	9154
32,0	6,1	594	960	3,1	2,4	20,00	SF050+NMRV150	TP112MB6/132S6	12514
32,0	6,1	594	2160	2,1	0,7	20,00	SF100+NMRV130	TP132S6	9154
32,0	6,1	594	2160	3,1	1,1	20,00	SF100+NMRV150	TP132S6	12514
26,0	4,9	716	1179	1,3	1,0	25,00	SF050+NMRV-P110	TP112MB6/132S6	7539
26,0	4,9	716	1168	1,7	1,3	25,00	SF050+NMRV130	TP112MB6/132S6	9860
26,0	4,9	725	1168	2,2	1,8	25,00	SF050+NMRV150	TP112MB6/132S6	13480
26,0	4,9	725	2628	2,2	0,8	25,00	SF100+NMRV150	TP132S6	13480
25,0	4,8	716	1210	1,1	1,0	40,00	SF030+NMRV-P110	TP100LB4	7610
25,0	4,8	726	1210	1,5	1,4	40,00	SF030+NMRV130	TP100LB4	9953
25,0	4,8	726	1229	2,5	2,2	40,00	SF030+NMRV150	TP100LB4	13607
25,0	4,8	670	2035	1,6	0,9	80,00	SF030+NMRV150	TP100LA2	13607
21,0	4,1	794	1248	1,3	1,0	30,00	SF050+NMRV-P110	TP112MB6/132S6	8011
21,0	4,1	805	1267	1,7	1,4	30,00	SF050+NMRV130	TP112MB6/132S6	10478
21,0	4,1	848	1363	2,0	1,5	30,00	SF050+NMRV150	TP112MB6/132S6	14325
20,0	3,8	859	1448	0,9	0,8	50,00	SF030+NMRV-P110	TP100LB4	8198
20,0	3,8	871	1440	1,2	1,1	50,00	SF030+NMRV130	TP100LB4	10722
20,0	3,8	883	1440	1,8	1,6	50,00	SF030+NMRV150	TP100LB4	14658
20,0	3,8	789	2304	1,2	0,7	100,00	SF030+NMRV150	TP100LA2	14658
17,0	3,2	1002	1613	0,9	0,9	60,00	SF030+NMRV130	TP100LB4	11394
17,0	3,2	1017	1642	1,4	1,3	60,00	SF030+NMRV150	TP100LB4	15576
16,0	3,1	1029	1613	0,9	0,7	40,00	SF050+NMRV-P110	TP112MB6/132S6	8817
16,0	3,1	1029	1613	1,3	1,0	40,00	SF050+NMRV130	TP112MB6/132S6	11533
16,0	3,1	1189	1638	1,8	1,6	40,00	SF050+NMRV150	TP112MB6/132S6	15766
16,0	3,1	1189	3686	1,8	0,7	40,00	SF100+NMRV150	TP132S6	15766
13,0	2,4	1260	1958	1,0	1,0	80,00	SF030+NMRV150	TP100LB4	17144
13,0	2,4	1232	1920	1,0	0,8	50,00	SF050+NMRV130	TP112MB6/132S6	12423
13,0	2,4	1250	1920	1,5	1,2	50,00	SF050+NMRV150	TP112MB6/132S6	16984
11,0	2,0	1414	2189	1,2	1,0	60,00	SF050+NMRV150	TP112MB6/132S6	18000
10,0	1,9	1456	2256	0,8	0,7	100,00	SF030+NMRV150	TP100LB4	18000
8,0	1,5	1740	2611	0,9	0,7	80,00	SF050+NMRV150	TP112MB6/132S6	18000

4,00 kW

n2 (a) [rpm]	n2 (b) [rpm]	M2 (a) [Nm]	M2 (b) [Nm]	fs (a)	fs (b)	i	Gear reducer	Motor	Fr2 [N]
133,0	25,0	210	395	1,0	1,0	7,50	SF050+NMRV-P075	TP112MA4	3115
133,0	25,0	212	400	1,8	1,4	7,50	SF050+NMRV-P090	TP112MA4	3447
133,0	25,0	212	398	3,1	2,7	7,50	SF050+NMRV-P110	TP112MA4	4356
133,0	25,0	215	394	4,1	3,7	7,50	SF050+NMRV130	TP112MA4	5697
100,0	19,0	277	518	1,5	1,1	10,00	SF050+NMRV-P090	TP112MA4	3794
100,0	19,0	280	518	2,5	2,2	10,00	SF050+NMRV-P110	TP112MA4	4794

(a) Values relating to maximum speed

(b) Values relating to minimum speed

17.2 SF+NMRV - PERFORMANCE

4,00 kW

n2 (a) [rpm]	n2 (b) [rpm]	M2 (a) [Nm]	M2 (b) [Nm]	fs (a)	fs (b)	i	Gear reducer	Motor	Fr2 [N]
100,0	19,0	280	518	3,4	3,0	10,00	SF050+NMRV130	TP112MA4	6270
86,0	16,0	312	400	1,4	1,4	7,50	SF050+NMRV-P090	TP132MA6	3994
86,0	16,0	315	896	2,5	1,2	7,50	SF100+NMRV-P110	TP132MA6	5047
86,0	16,0	319	886	3,4	1,6	7,50	SF100+NMRV130	TP132MA6	6601
67,0	13,0	406	736	1,1	0,9	15,00	SF050+NMRV-P090	TP112MA4	4343
67,0	13,0	411	746	1,8	1,6	15,00	SF050+NMRV-P110	TP112MA4	5488
67,0	13,0	406	730	2,6	2,3	15,00	SF050+NMRV130	TP112MA4	7178
64,0	12,0	411	518	1,2	1,1	10,00	SF050+NMRV-P090	TP132MA6	4396
64,0	12,0	411	1166	2,1	1,0	10,00	SF100+NMRV-P110	TP132MA6	5555
64,0	12,0	416	1166	2,8	1,3	10,00	SF100+NMRV130	TP132MA6	7265
50,0	9,5	535	969	1,4	1,2	20,00	SF050+NMRV-P110	TP112MA4	6040
50,0	9,5	541	960	1,9	1,7	20,00	SF050+NMRV130	TP112MA4	7900
50,0	9,5	541	960	2,8	2,4	20,00	SF050+NMRV150	TP112MA4	10800
43,0	8,1	594	736	0,9	0,9	15,00	SF050+NMRV-P090	TP132MA6	5032
43,0	8,1	602	1678	1,5	0,7	15,00	SF100+NMRV-P110	TP132MA6	6358
43,0	8,1	602	1642	2,2	1,0	15,00	SF100+NMRV130	TP132MA6	8317
40,0	7,6	652	1179	1,2	1,0	25,00	SF050+NMRV-P110	TP112MA4	6506
40,0	7,6	660	1168	1,6	1,3	25,00	SF050+NMRV130	TP112MA4	8510
40,0	7,6	668	1168	2,1	1,8	25,00	SF050+NMRV150	TP112MA4	11634
33,0	6,3	735	1248	1,1	1,0	30,00	SF050+NMRV-P110	TP112MA4	6914
33,0	6,3	754	1267	1,6	1,4	30,00	SF050+NMRV130	TP112MA4	9043
33,0	6,3	783	1363	1,8	1,5	30,00	SF050+NMRV150	TP112MA4	12363
32,0	6,1	793	2160	1,6	0,7	20,00	SF100+NMRV130	TP132MA6	9154
32,0	6,1	793	2160	2,3	1,1	20,00	SF100+NMRV150	TP132MA6	12514
26,0	4,9	967	2628	1,7	0,8	25,00	SF100+NMRV150	TP132MA6	13480
25,0	4,8	955	1613	0,8	0,7	40,00	SF050+NMRV-P110	TP112MA4	7610
25,0	4,8	967	1613	1,1	1,0	40,00	SF050+NMRV130	TP112MA4	9953
25,0	4,8	967	1638	1,9	1,6	40,00	SF050+NMRV150	TP112MA4	13607
20,0	3,8	1162	1920	0,9	0,8	50,00	SF050+NMRV130	TP112MA4	10722
20,0	3,8	1177	1920	1,4	1,2	50,00	SF050+NMRV150	TP112MA4	14658
17,0	3,2	1356	2189	1,1	1,0	60,00	SF050+NMRV150	TP112MA4	15576
16,0	3,1	1585	3686	1,3	0,7	40,00	SF100+NMRV150	TP132MA6	15766
13,0	2,4	1680	2611	0,8	0,7	80,00	SF050+NMRV150	TP112MA4	17144

4,80 kW

n2 (a) [rpm]	n2 (b) [rpm]	M2 (a) [Nm]	M2 (b) [Nm]	fs (a)	fs (b)	i	Gear reducer	Motor	Fr2 [N]
133,0	25,0	255	400	1,5	1,4	7,50	SF050+NMRV-P090	TP112MB4	3447
100,0	19,0	332	518	1,2	1,1	10,00	SF050+NMRV-P090	TP112MB4	3794
67,0	13,0	487	736	0,9	0,9	15,00	SF050+NMRV-P090	TP112MB4	4343
40,0	7,6	792	1168	1,3	1,3	25,00	SF050+NMRV130	TP112MB4	8510

5,50 kW

n2 (a) [rpm]	n2 (b) [rpm]	M2 (a) [Nm]	M2 (b) [Nm]	fs (a)	fs (b)	i	Gear reducer	Motor	Fr2 [N]
133,0	25,0	292	896	2,2	1,2	7,50	SF100+NMRV-P110	TP132S4	4356
133,0	25,0	295	886	3,0	1,6	7,50	SF100+NMRV130	TP132S4	5697
100,0	19,0	385	1166	1,9	1,0	10,00	SF100+NMRV-P110	TP132S4	4794
100,0	19,0	385	1166	2,5	1,3	10,00	SF100+NMRV130	TP132S4	6270
86,0	16,0	434	896	1,8	1,2	7,50	SF100+NMRV-P110	TP132MB6	5047
86,0	16,0	439	886	2,5	1,6	7,50	SF100+NMRV130	TP132MB6	6601
67,0	13,0	564	1678	1,3	0,7	15,00	SF100+NMRV-P110	TP132S4	5488

(a) Values relating to maximum speed

(b) Values relating to minimum speed

17.2 SF+NMRV - PERFORMANCE

5,50 kW

n2 (a) [rpm]	n2 (b) [rpm]	M2 (a) [Nm]	M2 (b) [Nm]	fs (a)	fs (b)	i	Gear reducer	Motor	Fr2 [N]
67,0	13,0	558	1642	1,9	1,0	15,00	SF100+NMRV130	TP132S4	7178
64,0	12,0	565	1166	1,5	1,0	10,00	SF100+NMRV-P110	TP132MB6	5555
64,0	12,0	571	1166	2,0	1,3	10,00	SF100+NMRV130	TP132MB6	7265
50,0	9,5	744	2160	1,4	0,7	20,00	SF100+NMRV130	TP132S4	7900
50,0	9,5	744	2160	2,0	1,1	20,00	SF100+NMRV150	TP132S4	10800
43,0	8,1	827	1678	1,1	0,7	15,00	SF100+NMRV-P110	TP132MB6	6358
43,0	8,1	827	1642	1,6	1,0	15,00	SF100+NMRV130	TP132MB6	8317
40,0	7,6	919	2628	1,5	0,8	25,00	SF100+NMRV150	TP132S4	11634
32,0	6,1	1090	2160	1,1	0,7	20,00	SF100+NMRV130	TP132MB6	9154
32,0	6,1	1090	2160	1,7	1,1	20,00	SF100+NMRV150	TP132MB6	12514
26,0	4,9	1329	2628	1,2	0,8	25,00	SF100+NMRV150	TP132MB6	13480
25,0	4,8	1330	3686	1,4	0,7	40,00	SF100+NMRV150	TP132S4	13607
16,0	3,1	2180	3686	1,0	0,7	40,00	SF100+NMRV150	TP132MB6	15766

7,50 kW

n2 (a) [rpm]	n2 (b) [rpm]	M2 (a) [Nm]	M2 (b) [Nm]	fs (a)	fs (b)	i	Gear reducer	Motor	Fr2 [N]
133,0	25,0	398	896	1,6	1,2	7,50	SF100+NMRV-P110	TP132MA4	4356
133,0	25,0	403	886	2,2	1,6	7,50	SF100+NMRV130	TP132MA4	5697
100,0	19,0	525	1166	1,4	1,0	10,00	SF100+NMRV-P110	TP132MA4	4794
100,0	19,0	525	1166	1,8	1,3	10,00	SF100+NMRV130	TP132MA4	6270
86,0	16,0	591	896	1,3	1,2	7,50	SF100+NMRV-P110	TP160M6	5047
86,0	16,0	598	886	1,8	1,6	7,50	SF100+NMRV130	TP160M6	6601
67,0	13,0	770	1678	1,0	0,7	15,00	SF100+NMRV-P110	TP132MA4	5488
67,0	13,0	761	1642	1,4	1,0	15,00	SF100+NMRV130	TP132MA4	7178
64,0	12,0	770	1166	1,1	1,0	10,00	SF100+NMRV-P110	TP160M6	5555
64,0	12,0	779	1166	1,5	1,3	10,00	SF100+NMRV130	TP160M6	7265
50,0	9,5	1014	2160	1,0	0,7	20,00	SF100+NMRV130	TP132MA4	7900
50,0	9,5	1014	2160	1,5	1,1	20,00	SF100+NMRV150	TP132MA4	10800
43,0	8,1	1128	1678	0,8	0,7	15,00	SF100+NMRV-P110	TP160M6	6358
43,0	8,1	1128	1642	1,2	1,0	15,00	SF100+NMRV130	TP160M6	8317
40,0	7,6	1253	2628	1,1	0,8	25,00	SF100+NMRV150	TP132MA4	11634
32,0	6,1	1486	2160	0,8	0,7	20,00	SF100+NMRV130	TP160M6	9154
32,0	6,1	1486	2160	1,2	1,1	20,00	SF100+NMRV150	TP160M6	12514
26,0	4,9	1812	2628	0,9	0,8	25,00	SF100+NMRV150	TP160M6	13480
25,0	4,8	1814	3686	1,0	0,7	40,00	SF100+NMRV150	TP132MA4	13607

9,20 kW

n2 (a) [rpm]	n2 (b) [rpm]	M2 (a) [Nm]	M2 (b) [Nm]	fs (a)	fs (b)	i	Gear reducer	Motor	Fr2 [N]
133,0	25,0	489	896	1,3	1,2	7,50	SF100+NMRV-P110	TP132MB4	4356
133,0	25,0	494	886	1,8	1,6	7,50	SF100+NMRV130	TP132MB4	5697
100,0	19,0	644	1166	1,1	1,0	10,00	SF100+NMRV-P110	TP132MB4	4794
100,0	19,0	644	1166	1,5	1,3	10,00	SF100+NMRV130	TP132MB4	6270
67,0	13,0	944	1678	0,8	0,7	15,00	SF100+NMRV-P110	TP132MB4	5488
67,0	13,0	933	1642	1,1	1,0	15,00	SF100+NMRV130	TP132MB4	7178
50,0	9,5	1244	2160	0,8	0,7	20,00	SF100+NMRV130	TP132MB4	7900
50,0	9,5	1244	2160	1,2	1,1	20,00	SF100+NMRV150	TP132MB4	10800
40,0	7,6	1537	2628	0,9	0,8	25,00	SF100+NMRV150	TP132MB4	11634
25,0	4,8	2225	3686	0,8	0,7	40,00	SF100+NMRV150	TP132MB4	13607

(a) Values relating to maximum speed

(b) Values relating to minimum speed

ATTENTION!

The revised data and information, shown in this technical catalogue, replaces the data of the previous editions. Old data is now obsolete. All technical data, dimensions, weights in this catalogue are subject to changes without warning. Illustrations are not binding. You can find the above mentioned data and information on our site www.motovario.com; please periodically consult the technical documentation on the web site to be always updated about possible modifications of performances and characteristics of the product.

All supplies effected by MOTOVARIO are governed exclusively by the general terms of sale that you can find on our website:

<http://www.motovario.com/eng/corporate/sales-conditions>

